



Home Appliances



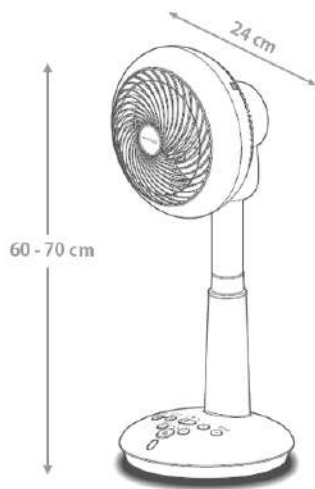




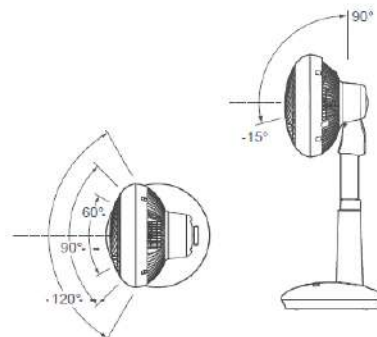
Fans

Quiet pedestal fan with remote control

STF-DC15T



Remote control



DC Jet Motor on Stand !



Ventilation : 10 powers of supply air



Refreshing Breeze : 3 air powers



Night mode : 3 powers of diffused air

The fan adapts the intensity of the air distributed : strong air flow upwards and blows lighter air downwards.



Multidirectional Oscillation

Horizontal oscillation : Angle adjustable from 60° to 120°



Available in White

Power Cord of 1.7 meter

2 YEAR MANUFACTURER WARRANTY

POWER 25 W - 50 Hz
VOLTAGE AC100V
WEIGHT 2,4 Kgs



Programmable Start



Timer with automatic shutdown





DC Jet Engine

Direct current power supply (vs alternating current) ensuring unequaled power, while promoting savings energy and a longer lifespan of your device.



Application Area

37 m²

3 ventilation modes

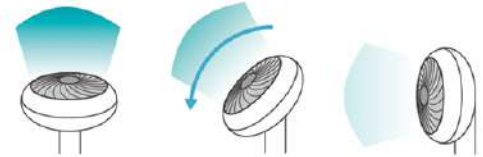
Powerful fan or cooling breeze

Several powers available depending on the mode selected

NIGHT MODE : The air blast is adapted according to the vertical position of the fan during its oscillation. ☆

3D Wings

Propellers with patented design diffusing an air jet in the form of a spiral promoting better air distribution.



Diffused air reaching a distance of 31 m



Adjustable diffusion angle

Programmable horizontal oscillation to diffuse the air at an angle of 60°, 90° or 120°. Vertical oscillation from -15° to 90° for perfect homogenization of the fresh air in your interior.



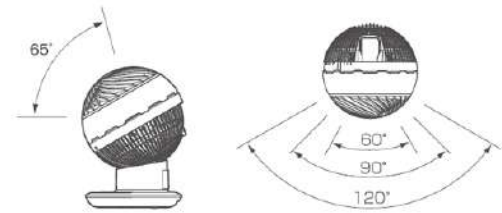
Only
33 dB
in power 2






Ultra powerful and quiet Fan

PCF-SDC15T / PCF-SDC18T



The power of DC Jet !

 Ventilation : 10 powers of supply air

 Refreshing Breeze : 3 air powers

 Air Circulation function

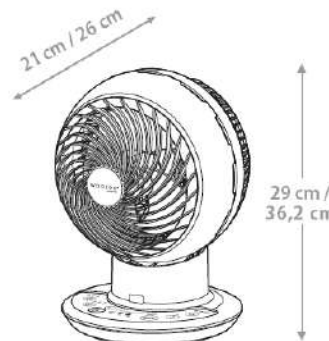
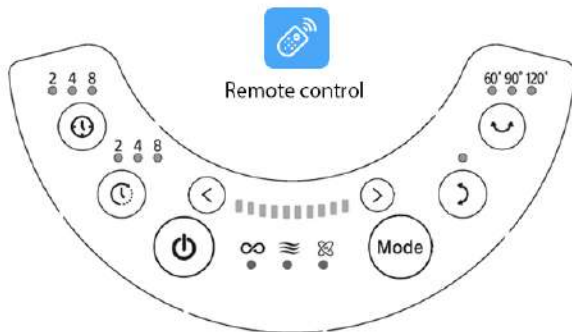
 Multidirectional Oscillation
Horizontal oscillation : Angle adjustable from 60° to 120°



Programmable start



Timer with automatic shutdown

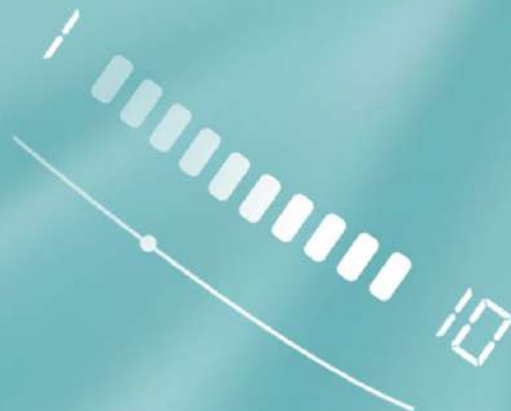


POWER	25 W / 35 W - 50 Hz
VOLTAGE	AC100V
WEIGHT	1,4 / 1,9 Kgs

Power Cord of 1.8 / 1.4 meter

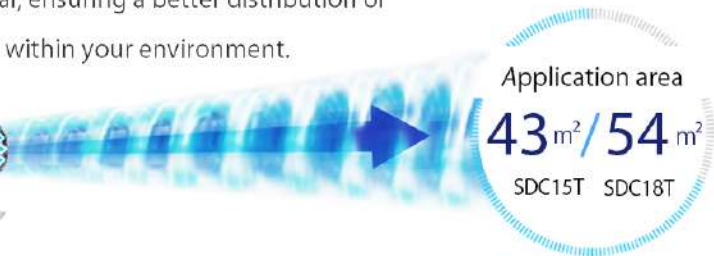
2 YEAR MANUFACTURER WARRANTY





Three-dimensional blades with a unique design

Patented 3D propellers diffusing an air jet in the form of a spiral, ensuring a better distribution of fresh air within your environment.



Diffused air reaching a distance of 28 m

Perfectly silent

39 dB /
41 dB



DC Jet Engine

Direct current power supply (vs alternating current) ensuring unrivaled power, while promoting energy savings and a longer life for your device.



Digital Panel

Adapts the powers available according to the selected supply air mode.

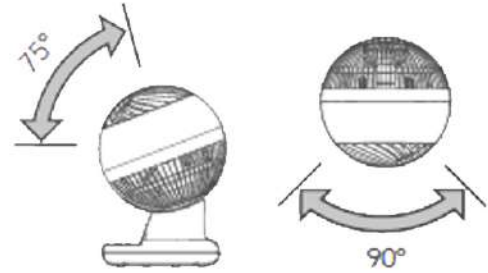
Ultralight
1,4 & 1,9
Kgs





Fan Woozoo by Ohyama

PCF-SCT15



Design et Silent !



Multidirectional Oscillation



5 powers of supply air



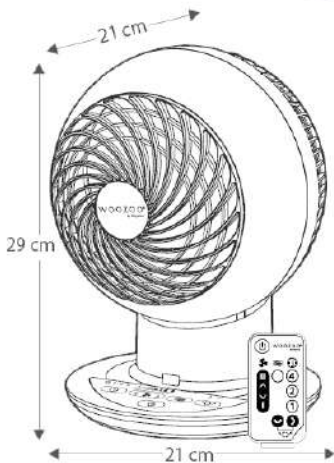
Cool Breeze function



Programmable timer



Sold with a remote control



○ Available in White

POWER 38 W - 50 Hz
VOLTAGE AC100V
WEIGHT 2 Kgs

Power Cord of 1.4 meter
2 YEAR MANUFACTURER WARRANTY



WOZZOO™

You have never seen so much power
in such a small fan.



3D Wings

Three-dimensional blades diffusing an air jet in the form of a spiral ensuring a better distribution of air within the environment.



Promotes better regulation of body temperature.



Silent :

ONLY 35 DB

15dB

Sound of a breathe

30dB

Whispers

35dB



Natural Wind

Breath of pleasant and refreshing air

40dB

Noise in a library or in a quiet residential area at midnight

Data based on a power setting 2.

Application Area

30m²

Unlike a conventional fan,

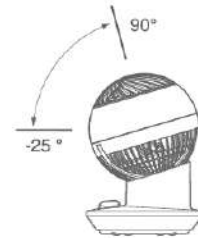
Supply air power up to **25 meters.**





Mini silent desk Fan

PCF-SM12N / PCF-SM12



○ Available in White

Compact and yet so powerful !



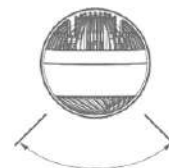
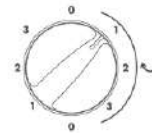
3 powers of supply air



Adjustable tilt from -25° to 90°

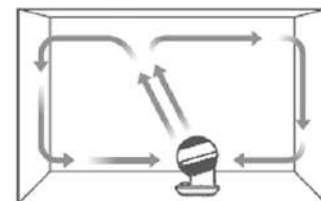
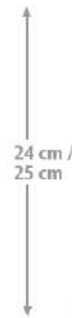
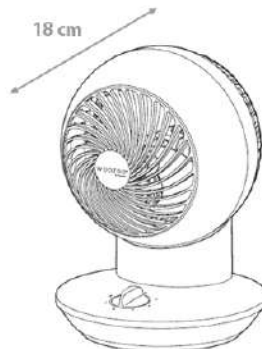
EXCLUSIVE PCF-SM12

Horizontal Oscillation



POWER 18 W / 20 W - 50 Hz
VOLTAGE AC100V
WEIGHT 1,1 Kgs / 1,3 Kgs

Power Cord of 1.8 / 1.4 meter
2 YEAR MANUFACTURER WARRANTY







Diffused air up to 16 m away

Silent : Ideal for your nights

Application area

11 m²

Patented 3D propellers

Three-dimensional blades with a unique design diffusing an air jet in the form of a spiral, ensuring a better distribution of fresh air within your environment.



Promotes better regulation of body temperature.



Use it in winter to get a better distribution of the hot air released by a heat source.



ENERGY SAVINGS

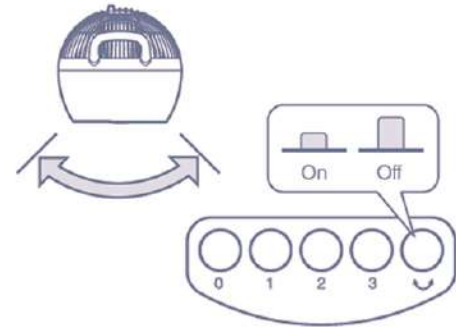
Conventional fans distribute air under a linear path.
In fact, fresh air does not circulate in the room.





Fan Woozoo by Ohyama

PCF-M15 / PCF-M18



Small and yet so powerful !



3 powers of supply air



45° horizontal oscillation



Adjustable 75° tilt

POWER 32 W / 33 W - 50 Hz
VOLTAGE AC100V
WEIGHT 2 Kgs / 2,4 Kgs

Power Cord of 1.4 meter

2 YEAR MANUFACTURER WARRANTY



PCF-M15

Available in White and Black

13m²

Application Area

23m²



PCF-M18





**Patented propellers
with a unique design**



Design and Silent !

In the office or at home, day or night,
simply and quickly refresh your environment.

Three-dimensional Wings

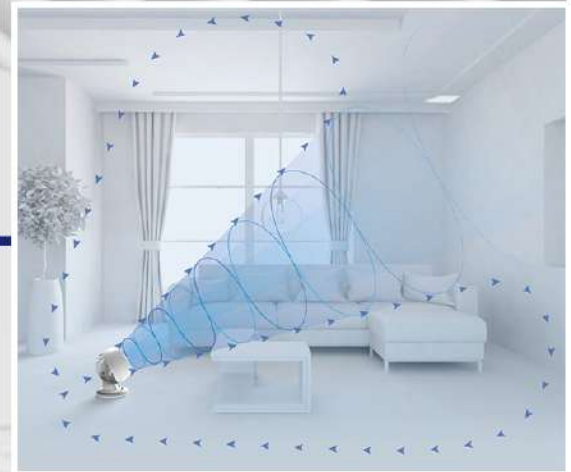
Conventional fans distribute air in a straight line.
The WOOZOO propellers are designed to diffuse air in the form of a spiral.



Better distribute the
air within your interior



Better regulate
body temperature



To use all year !

Operate your fan in winter to better distribute
the warm air supplied by your radiators,
thereby saving energy.





Silent Fan WOOZOO

HD15N / HD18N / HD18 / HM23



Available in Black and White

Application Area

13 m² 23 m²

HD15N HD18N

Dimensions: HD15N (26,6 cm height, 24,1 cm width, 17,5 cm depth), HD18N (29 cm height, 29 cm width, 19 cm depth)

Available in Black and White

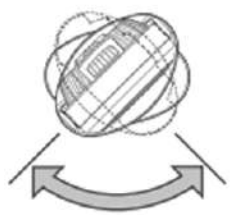
Application Area

23 m² 33 m²

HD18 HM23

Dimensions: HD18 (31 cm height, 29 cm width, 19 cm depth), HM23 (40 cm height, 35,4 cm width, 23,2 cm depth)

POWER 34 W - 50 Hz
VOLTAGE AC100V
WEIGHT 1,4 Kgs / 1,7 Kgs
2 Kgs / 3 Kgs



Power Cord of 1.8 meter
2 YEAR MANUFACTURER WARRANTY

Desk Fan



3 powers of supply air
Adjustable tilt from -20 ° to 90 °
Horizontal oscillation

HD18 and HM23

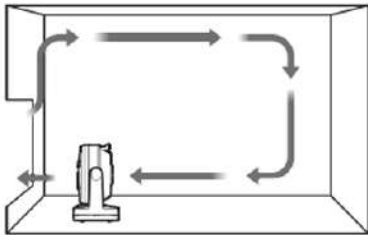


**Japanese expertise at the heart of
powerful, design and silent ventilation !**



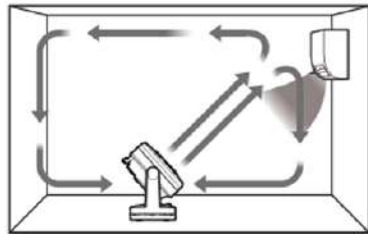
Many uses !

This small, silent and powerful fan offers you many possibilities of daily use for always more comfort within your environment.



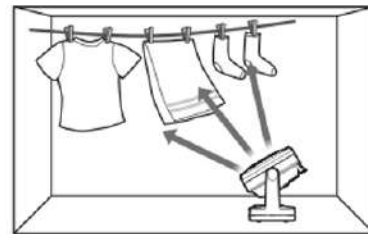
FAN

Simply refresh the air in your home by determining the power of the supply air.

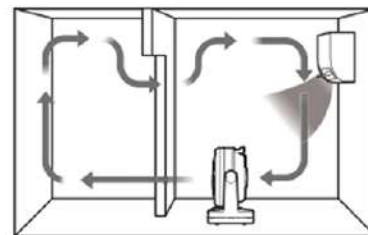


Temperature controller

The Woozoo distributes the air diffused by an air conditioner or a heat source and thus ensures a homogeneity of the temperature within the room.



Laundry drying



Air blower between 2 rooms



3D Wings

Conventional fans distribute air as a straight line.

The blades of this fan are designed to diffuse air in the form of a spiral.

Better distribution of the air diffused inside the room.





Silent Fan Woozoo by Ohyama

PCF-HE15 / PCF-HE18



Compact and powerful !



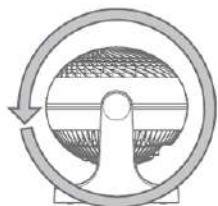
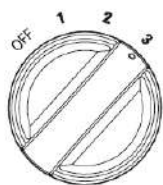
Three-dimensional wings



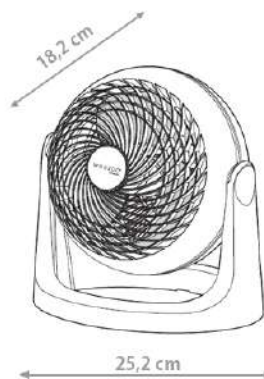
3 powers of supply air



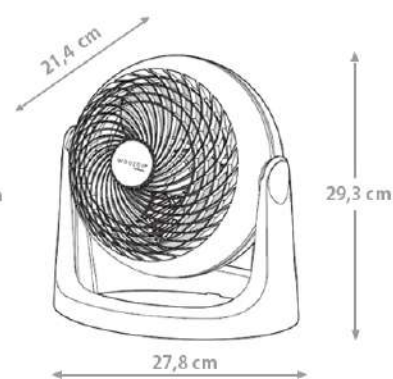
360° adjustable tilt



Available in Blue, Black and White



PCF-HE15



PCF-HE18

POWER 30 W / 31 W - 50 Hz
VOLTAGE AC100V
WEIGHT 1 Kg / 1,4 Kgs

Power Cord of 1.4 meter
2 YEAR MANUFACTURER WARRANTY



Patented design propellers

Three-dimensional wings diffusing an air jet in the form of a spiral thus ensuring a better distribution of fresh air within your environment.

 **Conventional fans distribute air on a straight path.**

The air diffuses itself less efficiently within the room.



Diffusion Angle

360°

The 360° swivel fan head allows you to direct the air flow to the desired location.

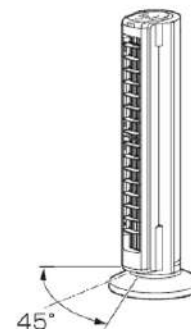
 **Placed on the ground or high you can enjoy the fresh air.**

Air jet 20% more powerful than a conventional fan.



Silent column fan with remote control

TWF-C82T



For a large ventilated area !



Classic Fan : 3 powers



Refreshing Breeze : 3 powers



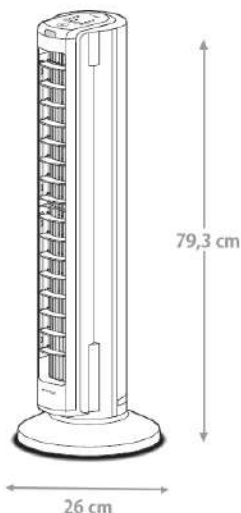
Programmable Timer



45° Horizontal Oscillation



Remote Control



Power Cord of 1.8 meter

2 YEAR MANUFACTURER WARRANTY

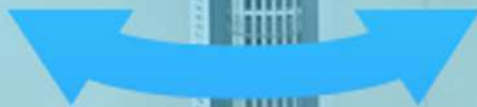
○ Available in White

POWER 42 W - 50 Hz
VOLTAGE AC100V
WEIGHT 3,6 Kgs



Horizontal
Oscillation

45°



2 powerful ventilation modes

Classic air jet or refreshing breeze :
3 air powers to ventilate a large area
thanks to the ventilation height.



Oriented Air Jet

Flaps adjustable up and down 90°.

Transport simplified

Ergonomic handle on the back of the fan.



Ventilation height

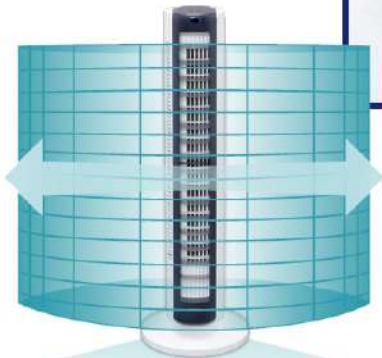
52 cm



Diffused air reaching a distance of 10 m

Silent ventilation

Continuous use during your nights of sleep.



45° horizontal oscillation

Ensures good air distribution
within your environment.

Only
42 dB
in power 2







Heaters Appliances



Disinfectant Shoe dryer

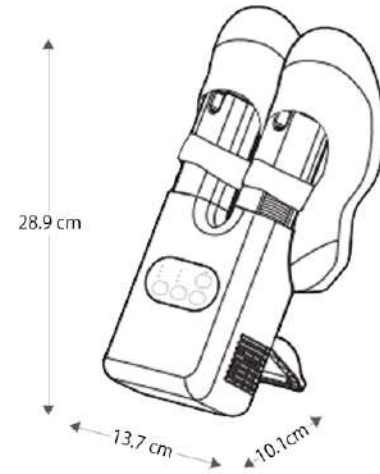
KSD-C1



○ Available in White

POWER 230 W - 50Hz
VOLTAGE AC100V
WEIGHT 0,75 Kg

Power Cord of 2 meters
2 YEAR MANUFACTURER WARRANTY



Ozone deodorizer !

Suitable for all types of shoes : fabric or leather.



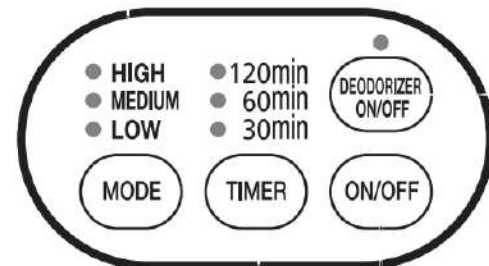
3 powers of supply air



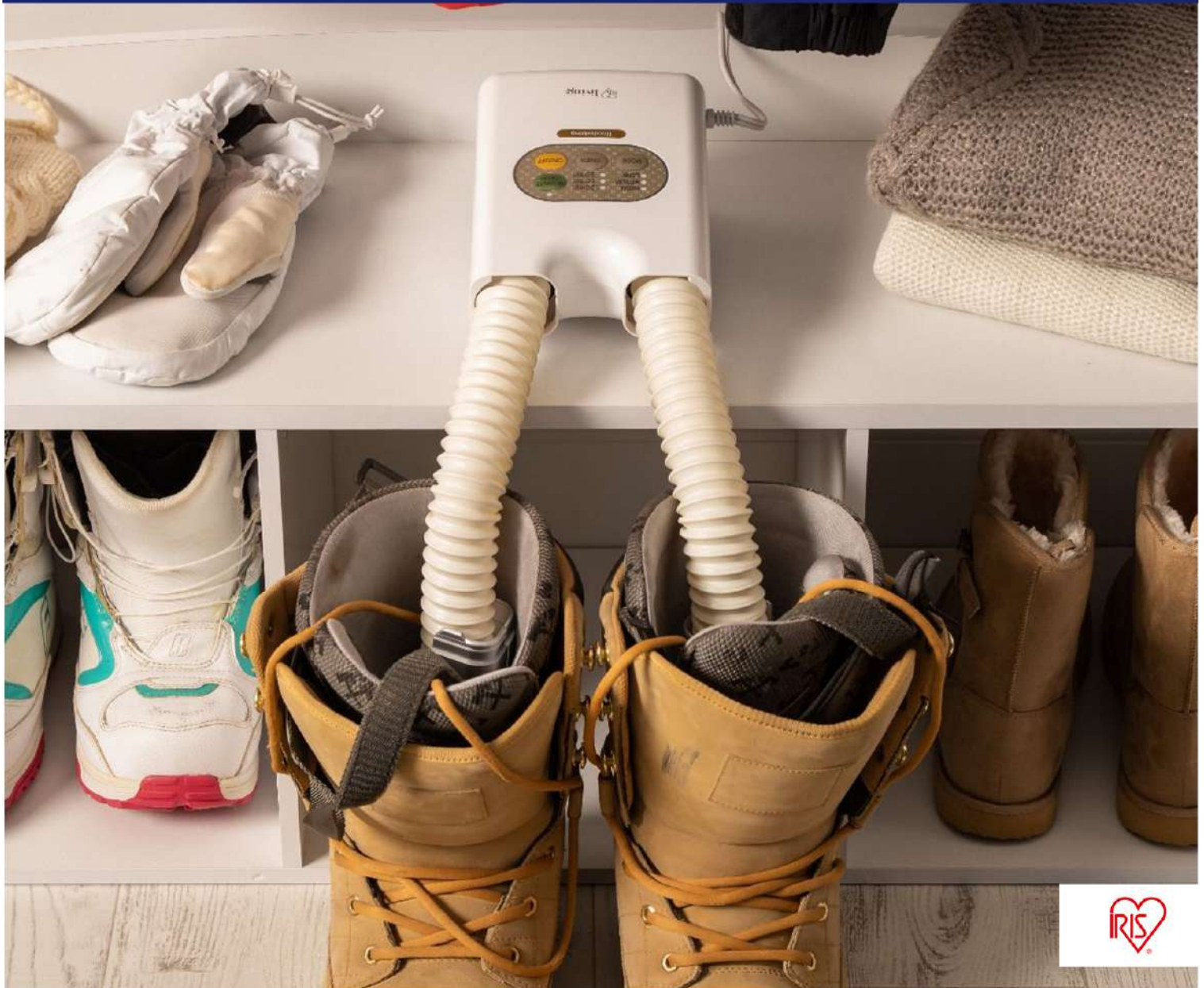
Ozone deodorization function



Programmable timer



Ideal for drying and deodorizing all types of shoes :
Pumps, sneakers, boots, city shoes, ballet flats and ski boots !



Ozone deodorizer !

Deodorization with ozone is one of the most effective treatments for destroying bacteria and banishing mold.



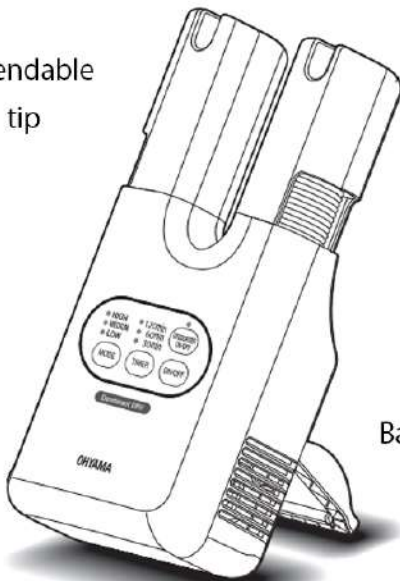
FABRIC

or

LEATHER



Extendable
tip



Base



Deodorizer
CO₂

3 air
powers

x 2
pair of shoes

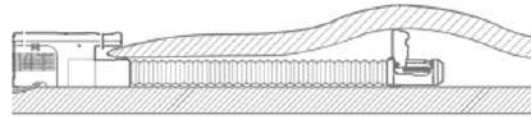
Dry up to **two pairs**
of shoes at the same time!





Blanket heater and shoe dryer

FK-C2



To use all year !



WINTER FUNCTION

to dry with hot air



SUMMER FUNCTION

to diffuse fresh air



WARM UP FUNCTION

to warm up your environment



DUST MITES FUNCTION

to remove mites from your tissues



Adjustable temperature



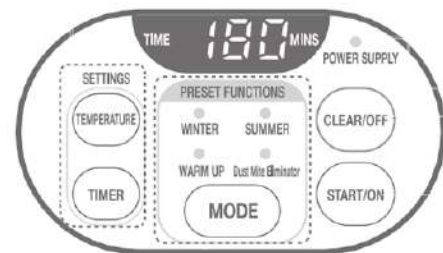
Programmable timer



Available in White and Pink

POWER 560 W - 50 Hz
VOLTAGE AC100V
WEIGHT 1,8 Kgs

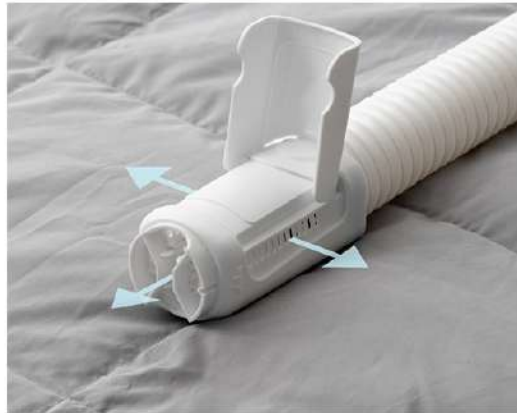
Power Cord of 2 meters
2 YEAR MANUFACTURER WARRANTY



For a purified interior at optimal temperature !

The warm air released promotes the elimination of bacteria for a healthy environment every day.

Three-dimensional tip



+ Accessory

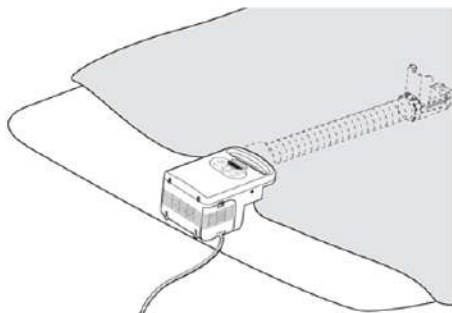
A specific tip provided to transform your mattress warmer into a shoe dryer by a simple gesture.



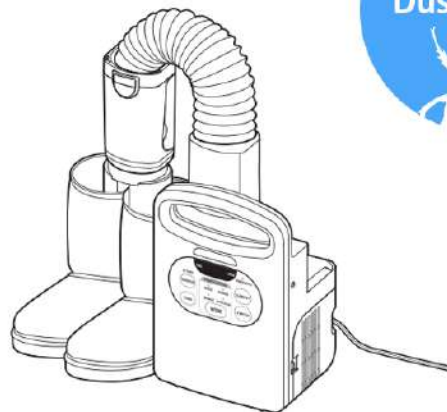
Three air outlets ensuring a better distribution of the air diffused and thus a homogenization of the temperature within the environment.



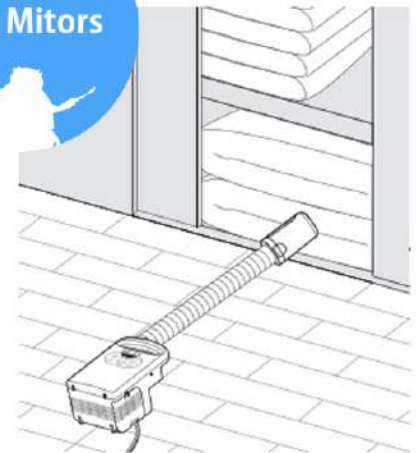
Multifunctional Device



Heater Mattress



Shoe Dryer



Fresh or hot air diffuser

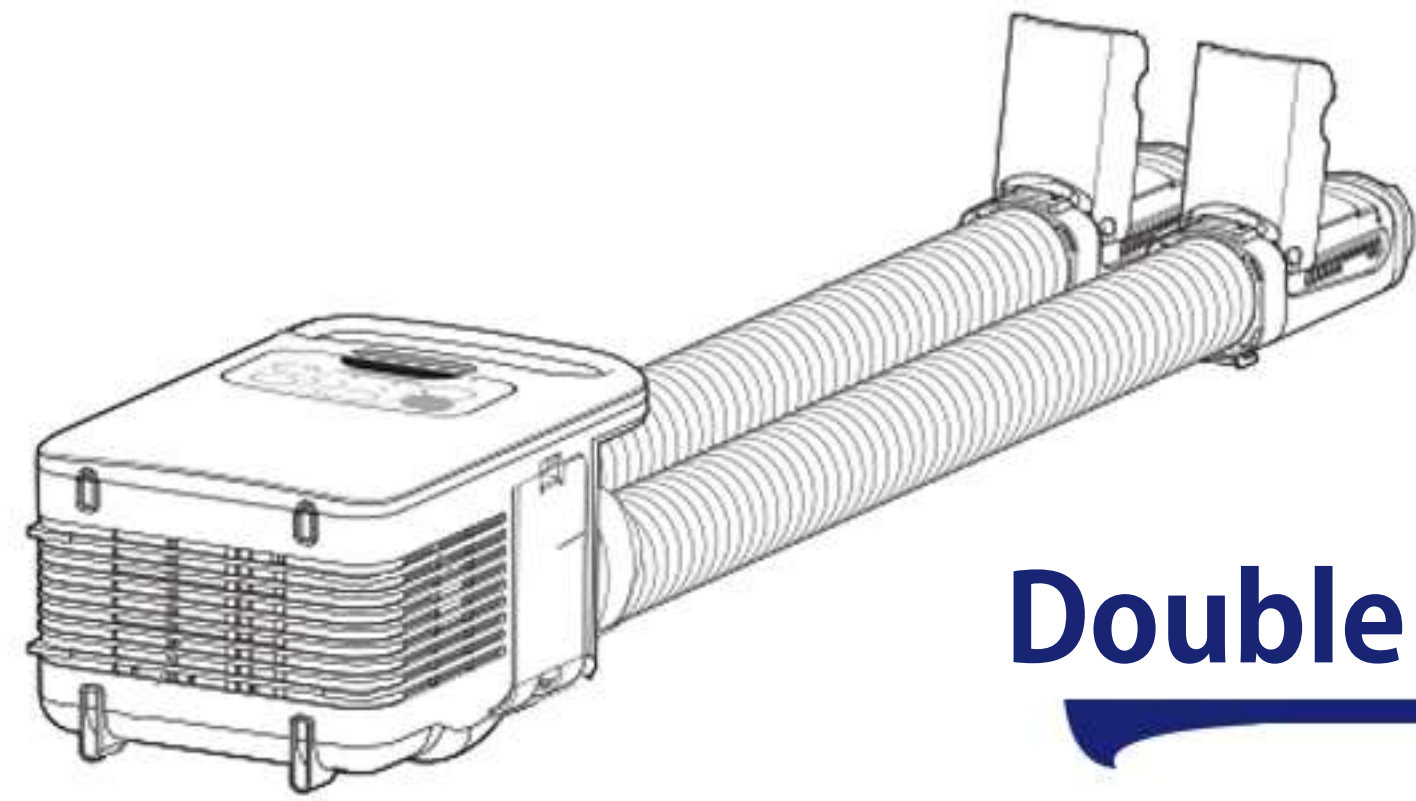


Automatic shutdown of the device at the end of the programmed timer.



Bed warmer and shoe dryer

FK-W1

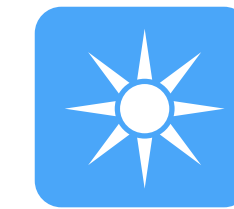


Double tube !



WINTER FUNCTION

to dry with hot air



SUMMER FUNCTION

to diffuse fresh air after drying with hot air



WARM UP FUNCTION

to warm your bed / your shoes



DUST MITES FUNCTION

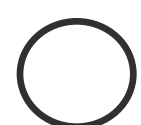
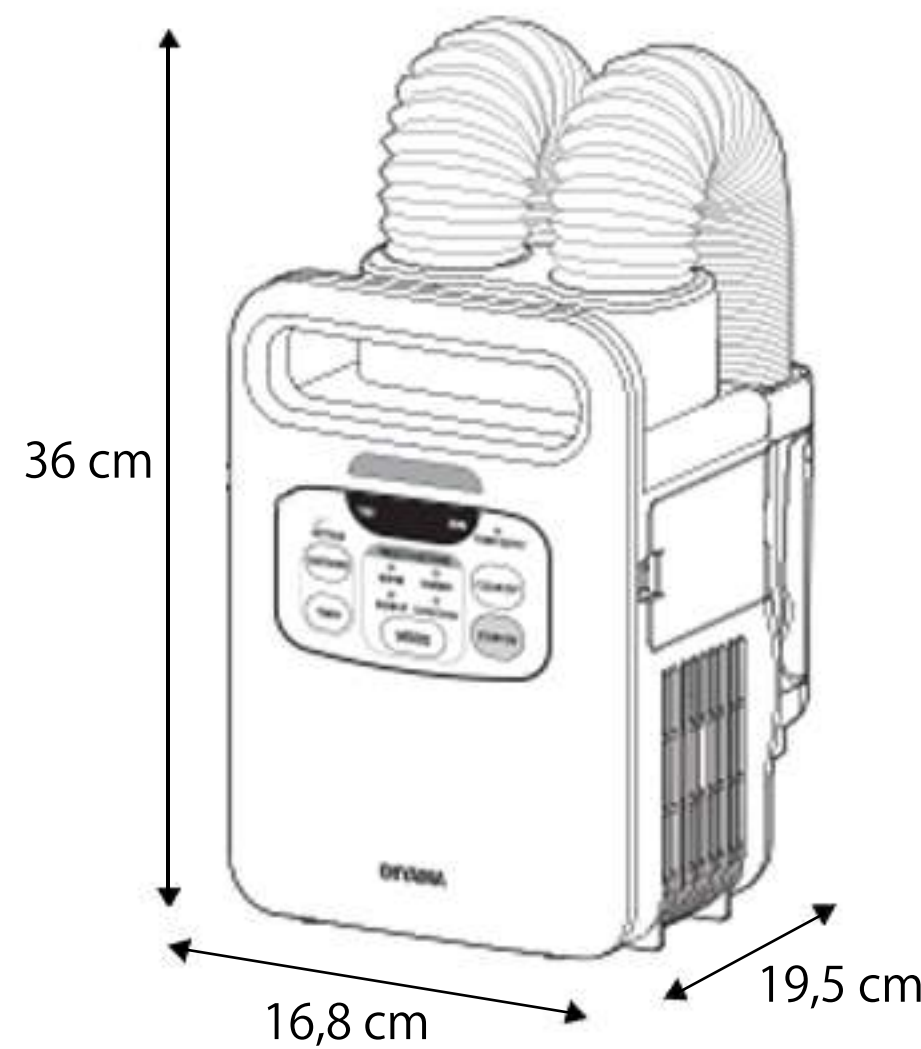
to remove mites from your tissues



Adjustable temperature



Programmable timer

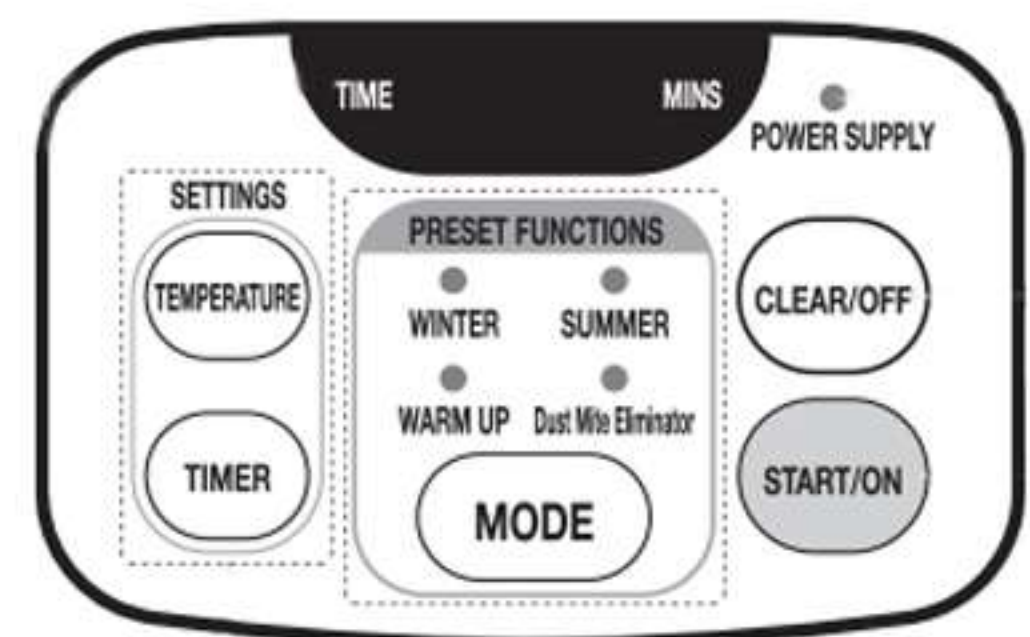


Available in White

POWER 700 W - 50 Hz
VOLTAGE 220-240V
WEIGHT 2,2 Kg

Power Cord of 2 meters

2 YEAR MANUFACTURER WARRANTY



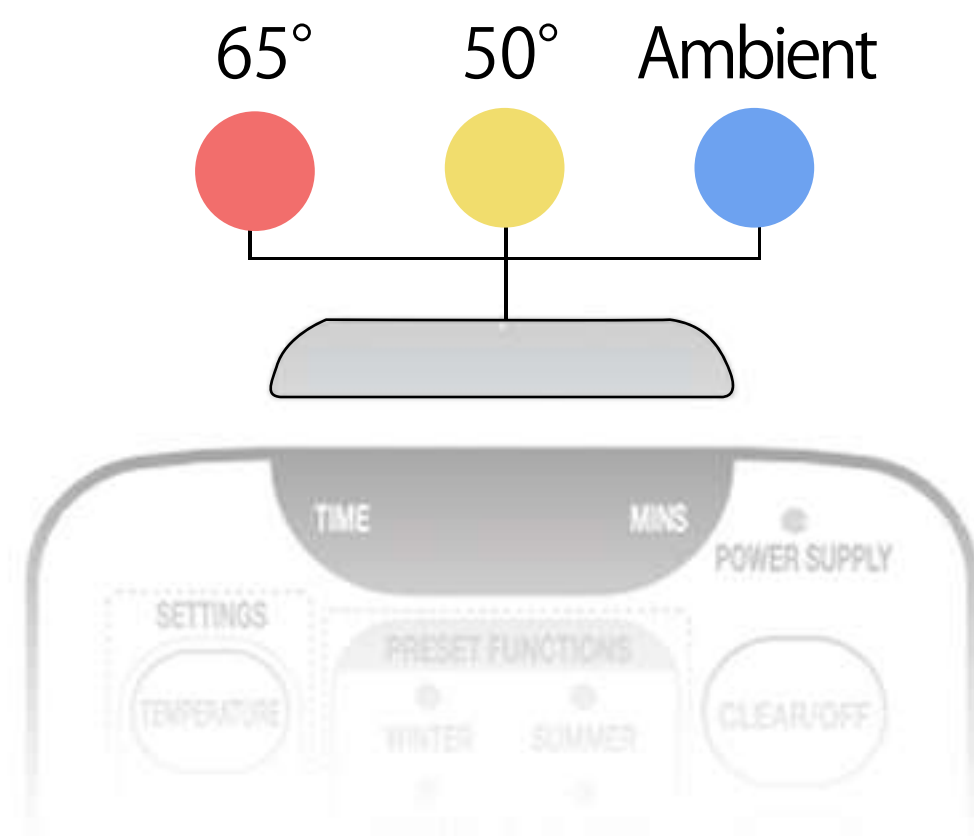
For comfort and a healthy environment !

Ideal for warming and sanitizing your bed or your shoes in winter as in summer.

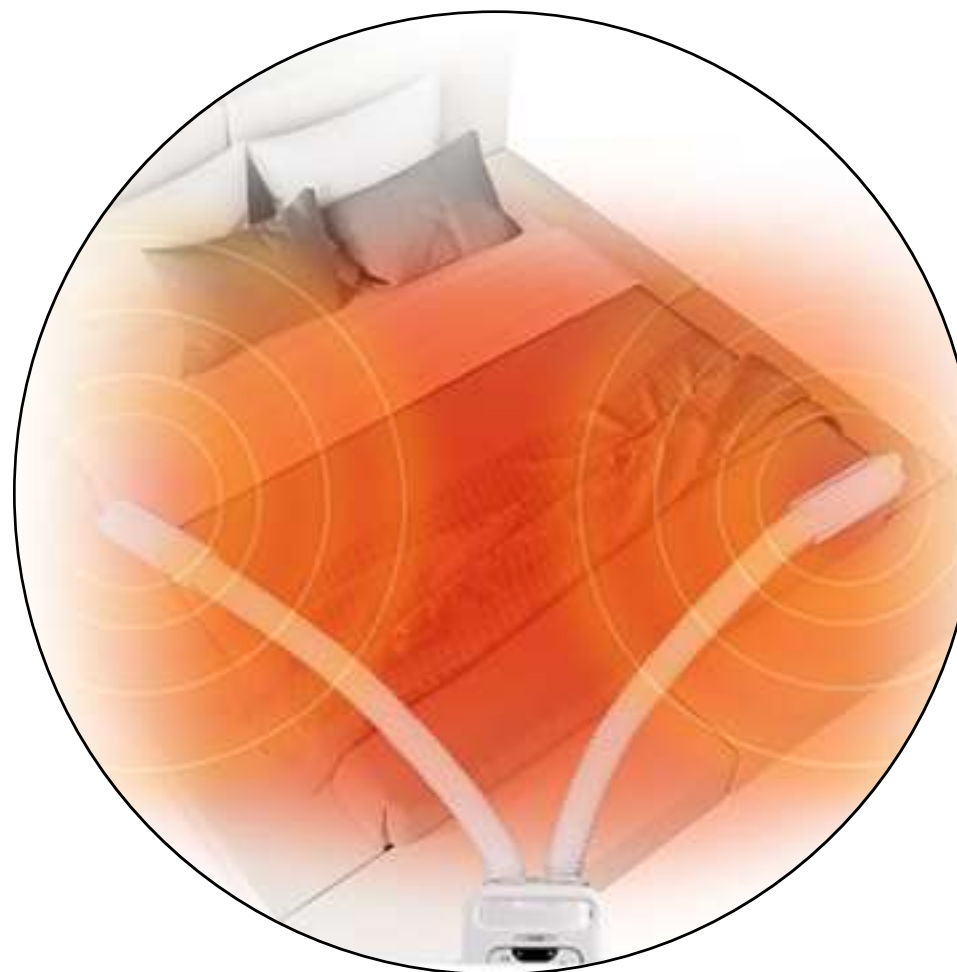


Light sensor

The indicator light lets you know the temperature of the blown air



Ideal for "King Size" beds

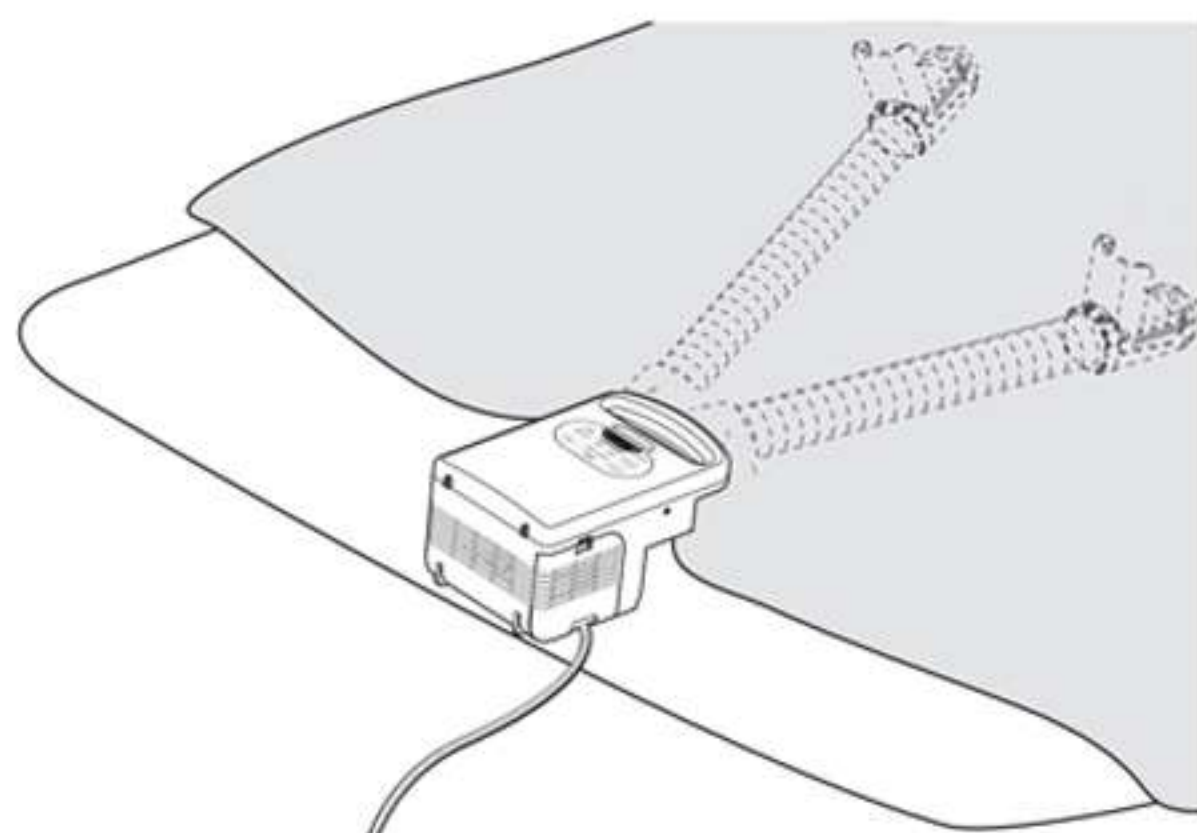


Flexible tube and three-dimensional tip

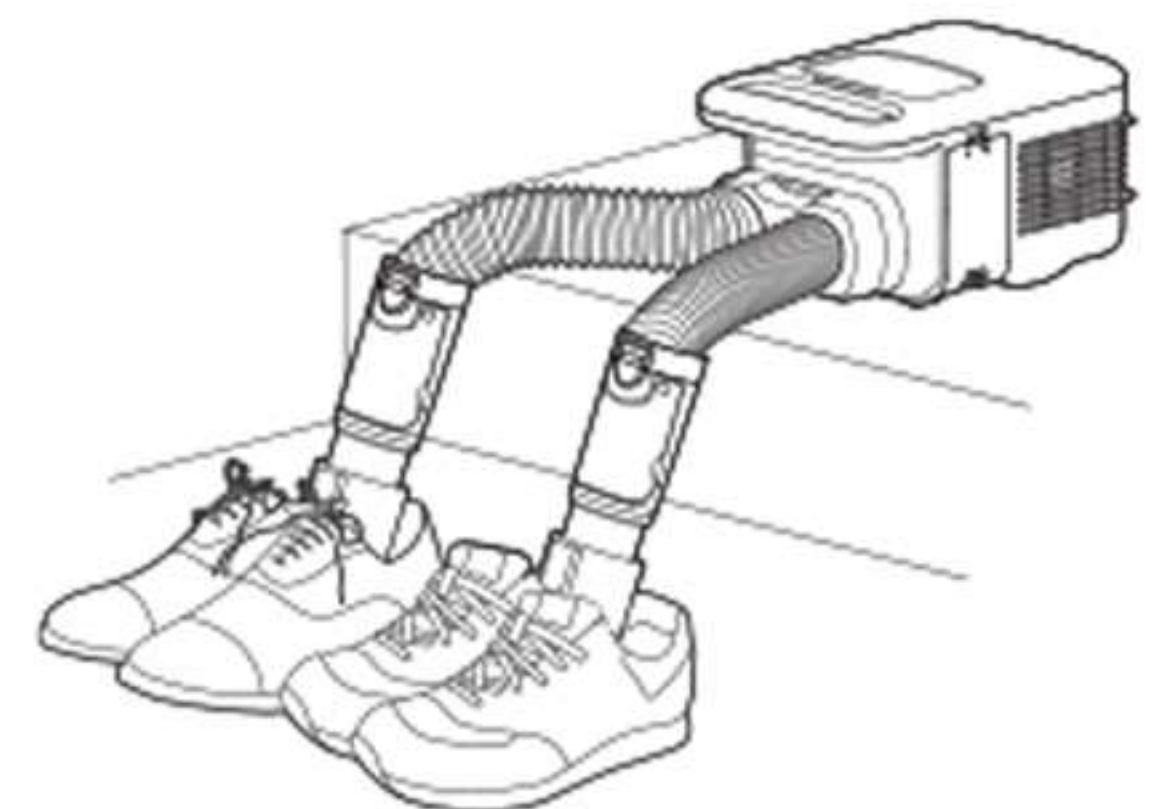
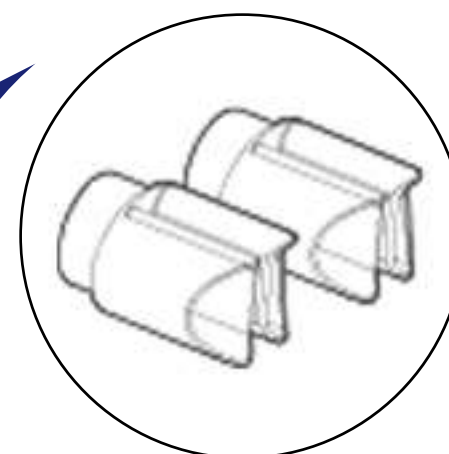
Allows the air to be directed to different areas



From the bed warmer to the shoe dryer with a simple gesture



Specific tips provided that adapts perfectly to your shoes to transform into a shoe dryer



Bed warmer

+

Specific tip

=

Shoe dryer

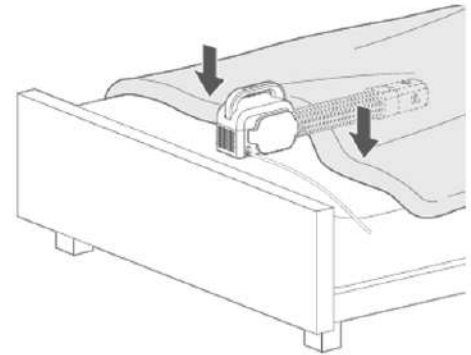


Automatic shutdown of the appliance at the end of the programmed timer.



Bed heater / Mattress heater

BW-C1



○ Available in White

POWER 490 W - 50 Hz
VOLTAGE AC100V
WEIGHT 1,76 Kgs



For a soft and warm bed !



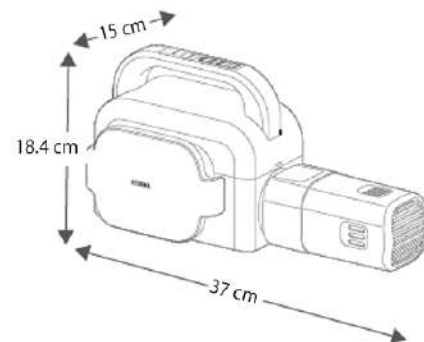
Temperature rise to 65 °C



Extendable tube up to 54 cm



Programmable timer



Power Cord of 2 meters
2 YEAR MANUFACTURER WARRANTY



A healthier bed every day !

The warm air released by the blanket heater helps eliminate bacteria in your bed.



Easy to use

Have a warm bed in minutes !



Ideally designed

Simplified storage for
your device's power cord.

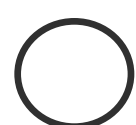


Comfortable handle



Ceramic Fan Heater

JCH-15TD4



Available in White and Light wood

POWER 1 500 W - 50 Hz
VOLTAGE AC:220-240V
WEIGHT 2,5 kg

A warm winter!



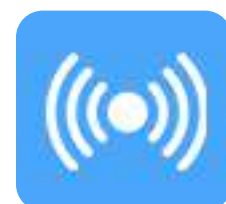
3 power of supply air



Programmable automatic shut-off timer

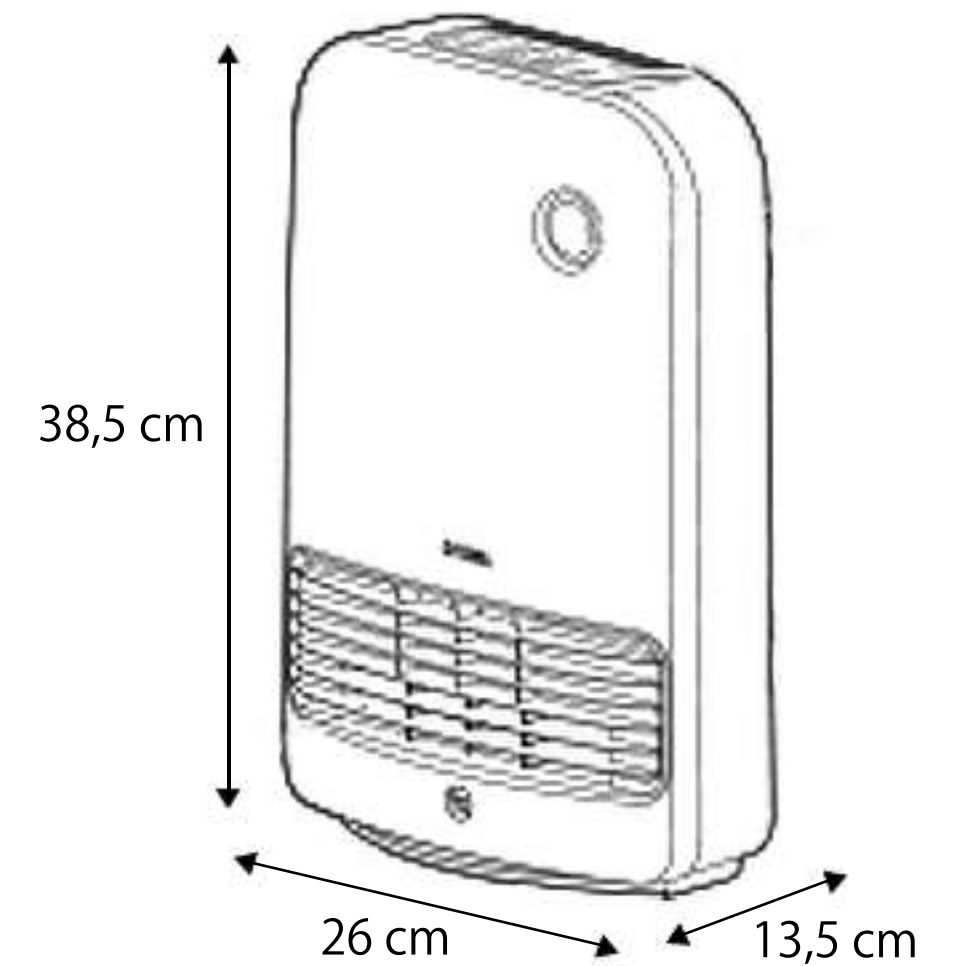


Lock (Child safety)

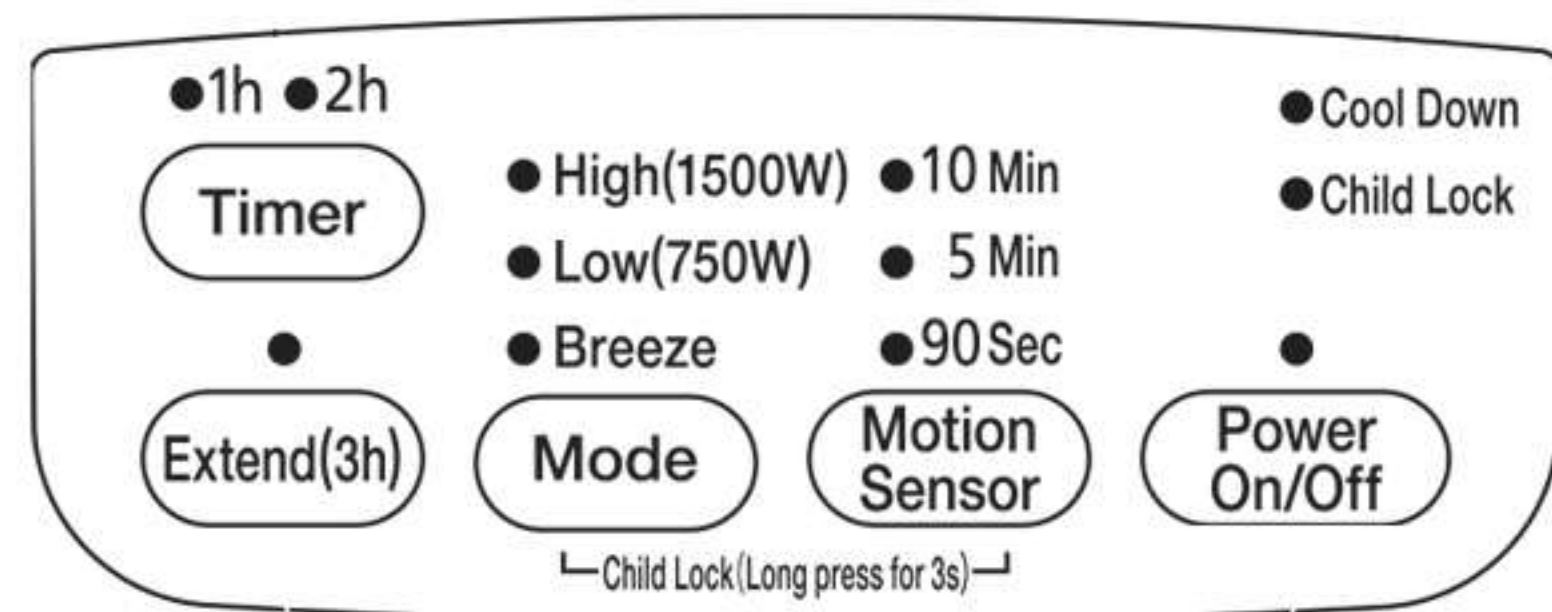


Motion sensor

allows you to adapt the heating operation according to your presence



Power air blown over 45°C!



Power Cord of 1.8 meters

2 YEAR MANUFACTURER WARRANTY



Quickly heat up all the rooms in your home !



Motion sensor

The heating adapts to the movements in your home.

Automatic shutdown of the device if it does not detect any presence (after 90 seconds, 5 minutes or 10 minutes)

 Sensor detection angles: Vertical : 60°
Horizontal : 90°





Control of Humidity

Dehumidifier with fan

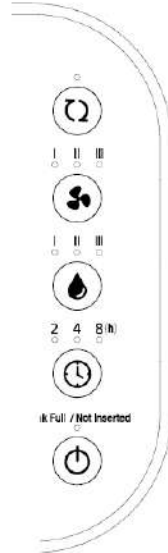
DDC-50



Tank
2,5 L

○ Available in White

Power Cord of 1.8 meter
2 YEAR MANUFACTURER WARRANTY



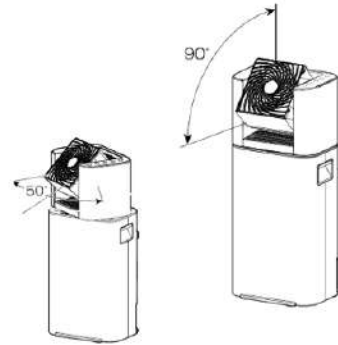
Horizontal oscillation at 50°



Adjustable 90° tilt



Programmable timer



Fresh and healthy environment !



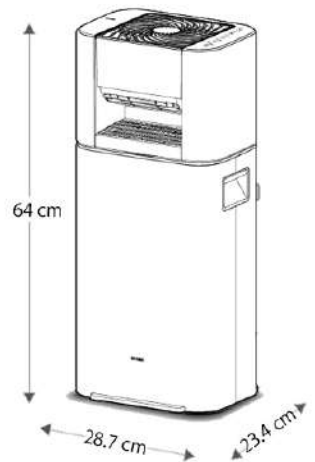
DEHUMIDIFIER

3 dehumidifying powers



FAN

3 powers of supply air



POWER 590 W - 50 Hz
VOLTAGE AC100V
WEIGHT 7,8 Kgs





**Dry your laundry up to 5 times
faster than with natural air !**



Clean the air in your environment!

Dry your clothes faster and purify your interior while refreshing it.

Tank
2,5 L

Indicator light indicating when the tank is full.



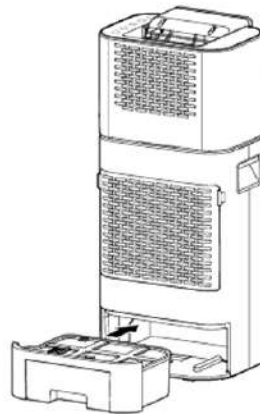
Automatic Shutdown

215
m³/ hour

Test carried out at an ambient temperature of **20°C** and a relative humidity of **60%**.



5 L / day
of absorbed water



Application Area

8 m²



Silent :

ONLY 29 DB

15dB

Sound of a breath

29dB



30dB

Whispers

40dB

Fridge

Data based on a power setting 1.

3D Wings

Three-dimensional blades diffusing an air jet in the form of a spiral ensuring a better distribution of air within the environment.



Purify durably the air in your environment !



Home air Humidifier

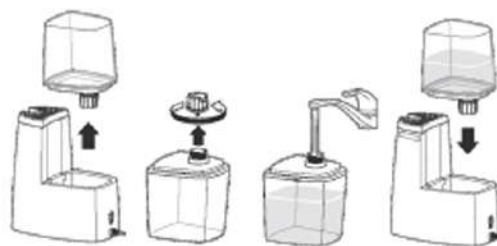
SHM-120D



Tank
1L

○ Available in White

POWER	100 W - 50 Hz
VOLTAGE	AC100V
WEIGHT	0,7 Kg



Bet on aromatherapy !



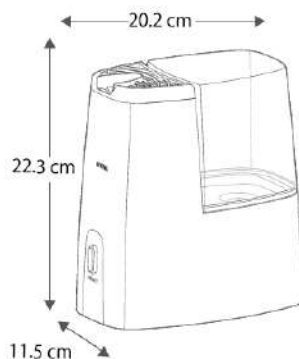
HUMIDIFIER
of air for home



DIFFUSER
of essential oil



A few drops are enough !



Power Cord of 1.4 meter

2 YEAR MANUFACTURER WARRANTY



Fight against seasonal diseases !

Treat your colds and allergies thanks to the spread of a hot haze with or without essential oils.

Application Area

5 m²



Capacity

Tank
1 L

Consumption

120
mL / h

Use

8 H
continuously



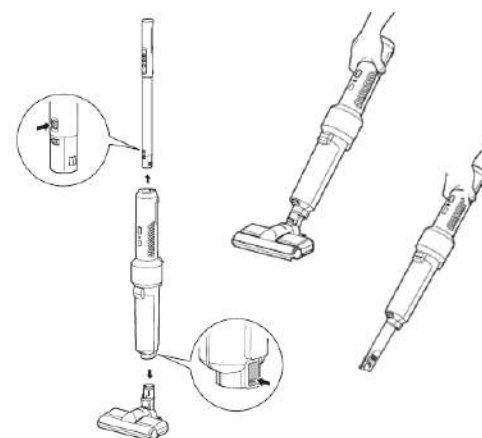
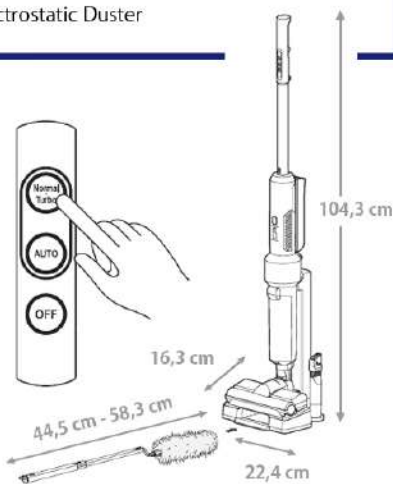


Vacuums



2 in 1 cordless Vacuum Cleaner with feather duster

IC-LDCP5



99% of dust sucked!



Cyclone Stream Technology



Cleanliness Sensors



Automatic Mode



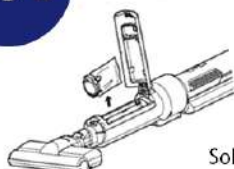
Turbo Function

Triggers on its own in Automatic mode using the cleanliness sensors or can be programmed manually in Standard mode.



Great maneuverability

0,3 L



Sold with 25 reusable 0.3 L antibacterial bags

Available in Grey

POWER 170 W - 50 Hz
VOLTAGE AC100V
WEIGHT 1,6 Kgs

2 YEAR MANUFACTURER WARRANTY



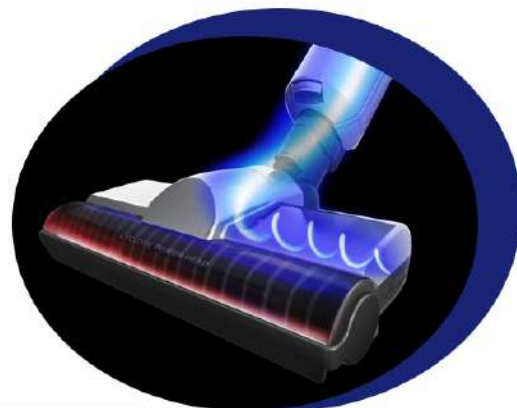


**Quick cleaning
and effortless !**



Cyclone Stream Technology

Thanks to cyclonic suction, more than 99% of the dust is vacuumed !
Standard mode or Automatic mode with a Turbo function.
Cleanliness sensors that adjust the suction power and therefore trigger the Turbo according to the dirt detected in Auto mode.



Light and handy



Only 1,6 kgs

Weight felt : 430 g

Severity of the weight exerted at the down of the vacuum cleaner

Easy cleaning

Electrostatic feather duster at hand to clean your furniture with a simple gesture.

Standing
SUPPORT
autonomous



Clean the residue from the feather duster via the base of your running vacuum cleaner.



Only 3 hours of recharging



30 minutes of autonomy in Automatic mode

20 minutes of autonomy in Standard mode

8 minutes of autonomy in Turbo mode





Anti bacterial Vacuum Cleaner for mattresses

IC-FAC2



Fine particles



Mites

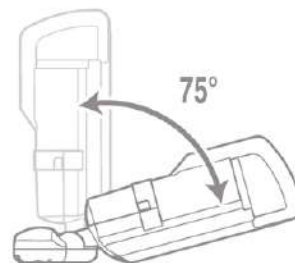


Bacteria



 Available in White

POWER 400 W - 50 Hz
VOLTAGE AC100V
WEIGHT 1,6 Kgs



Say goodbye to dust mites !



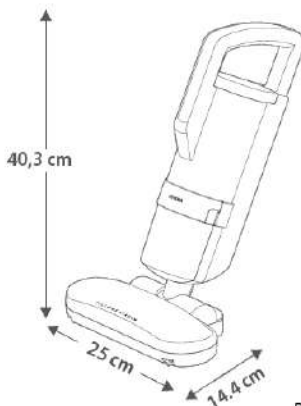
Cyclone Stream Technology



Cleanliness Sensor



Great maneuverability



2 easy filters

to change or clean.



Dust filter

+



Exhaust filter

Power Cord of 4 meters

2 YEAR MANUFACTURER WARRANTY



FINALLY,
a lasting solution for people
with allergies !



For a healthy environment every day !

Permanently eliminate dust mites, allergens and fine particles of your mattress, sofa, cushions and other fabrics.



Cleanliness sensors



Not clean

Almost clean

Clean

Cyclone Stream Technology

Cyclonic suction is a technology based on the separation of dust from air thanks to centrifugal force. During cleaning, the dust sticks to each other to form a mass which will then attach to the filter of the vacuum cleaner.

98%

of allergens eliminated
in less than 3 minutes



6000 vibrations / minute

The fine particles rise to the surface and are then vacuumed.





Antibacterial vacuum cleaner for mattresses

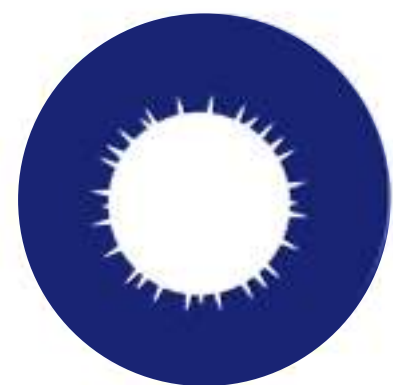
IC-FAC4



Mites



Fine particles

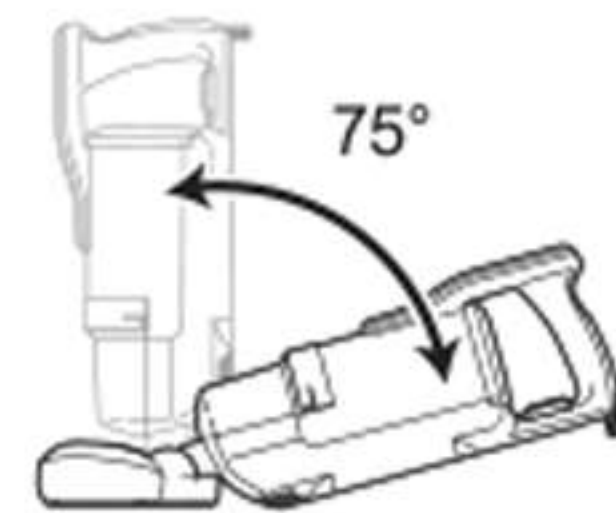


Bacteria



○ Available in White

POWER 600 W - 50 Hz
VOLTAGE 220-240V
WEIGHT 2,2 Kgs



A clean and healthy mattress !



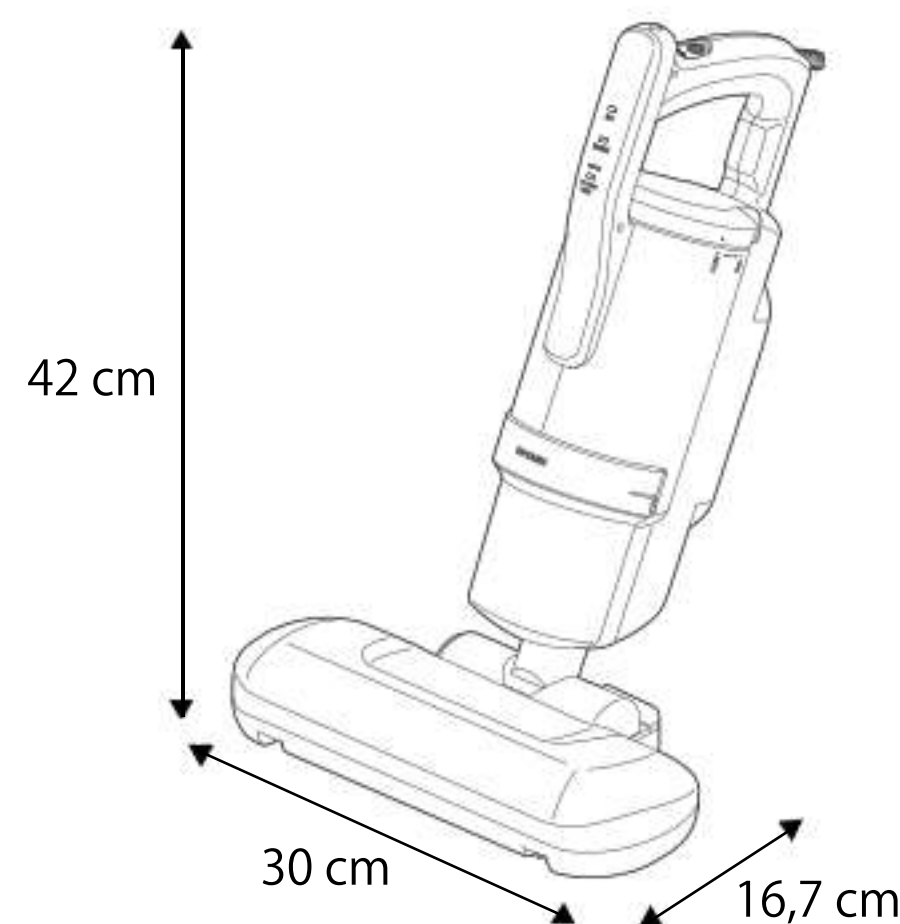
High power motor



Cyclone Stream technology



Large application area



2 filters

easy to change or clean



Dust filter



Exhaust filter

Power Cord of 4 meters

2 YEAR MANUFACTURER WARRANTY



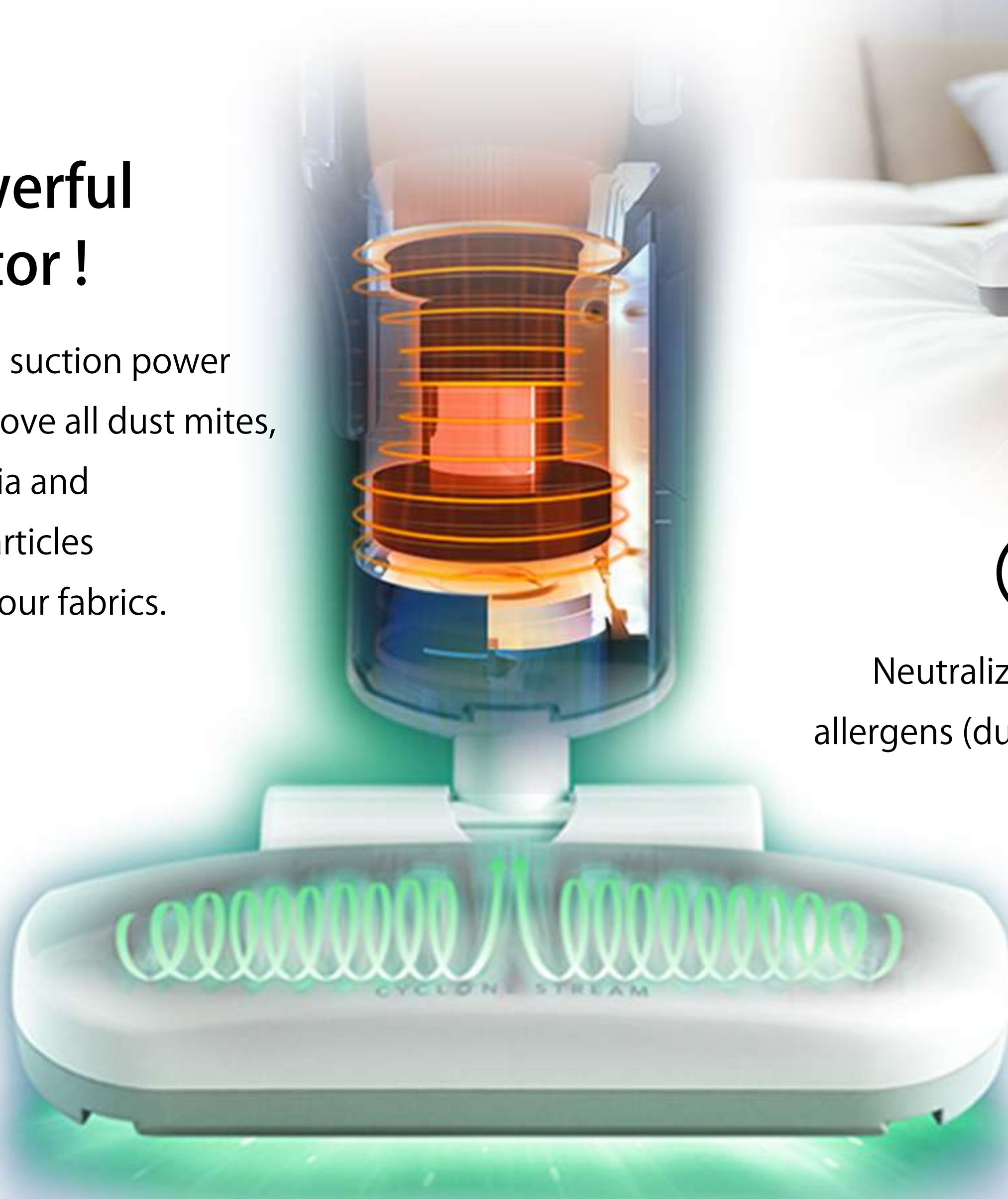
THE POWER,
to clean all your
interior fabrics!



Say stop to allergies !

Powerful motor !

Strong suction power to remove all dust mites, bacteria and fine particles from your fabrics.



② Suction

14 000 vibrations / minute

No more fine particles will resist these vibrations.



① Heating effect

Neutralizes and slows down the reproduction of all allergens (dust mites, mites ...) for a lasting healthy surface.





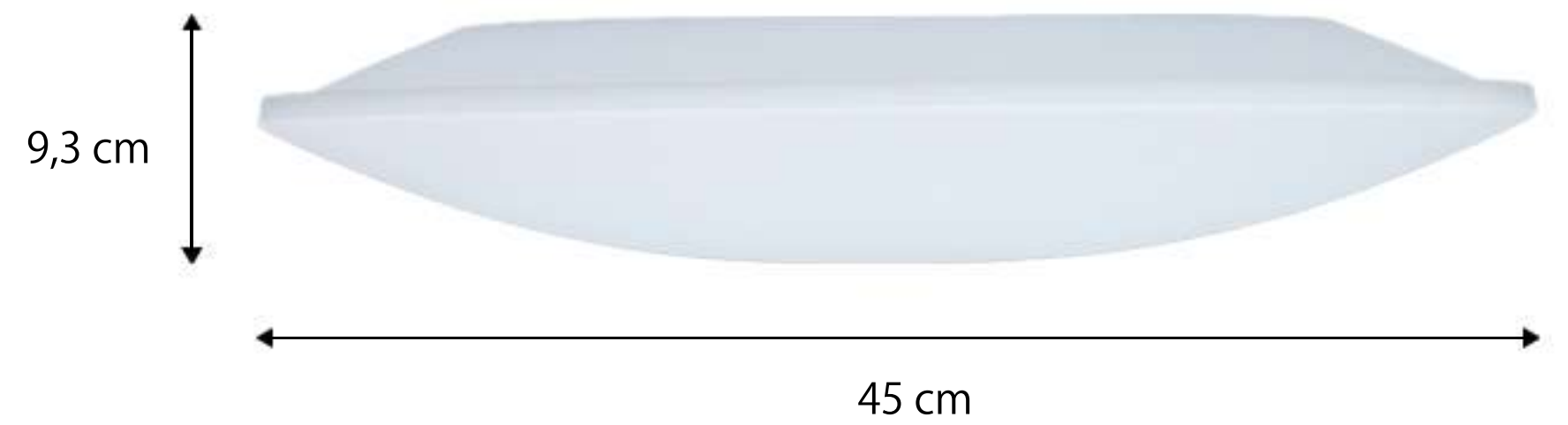


LED

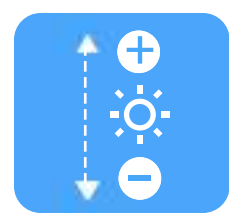


LED intensity

Ceiling Light DIM



Design and economical !



Adjustment of light intensity



Sleep function



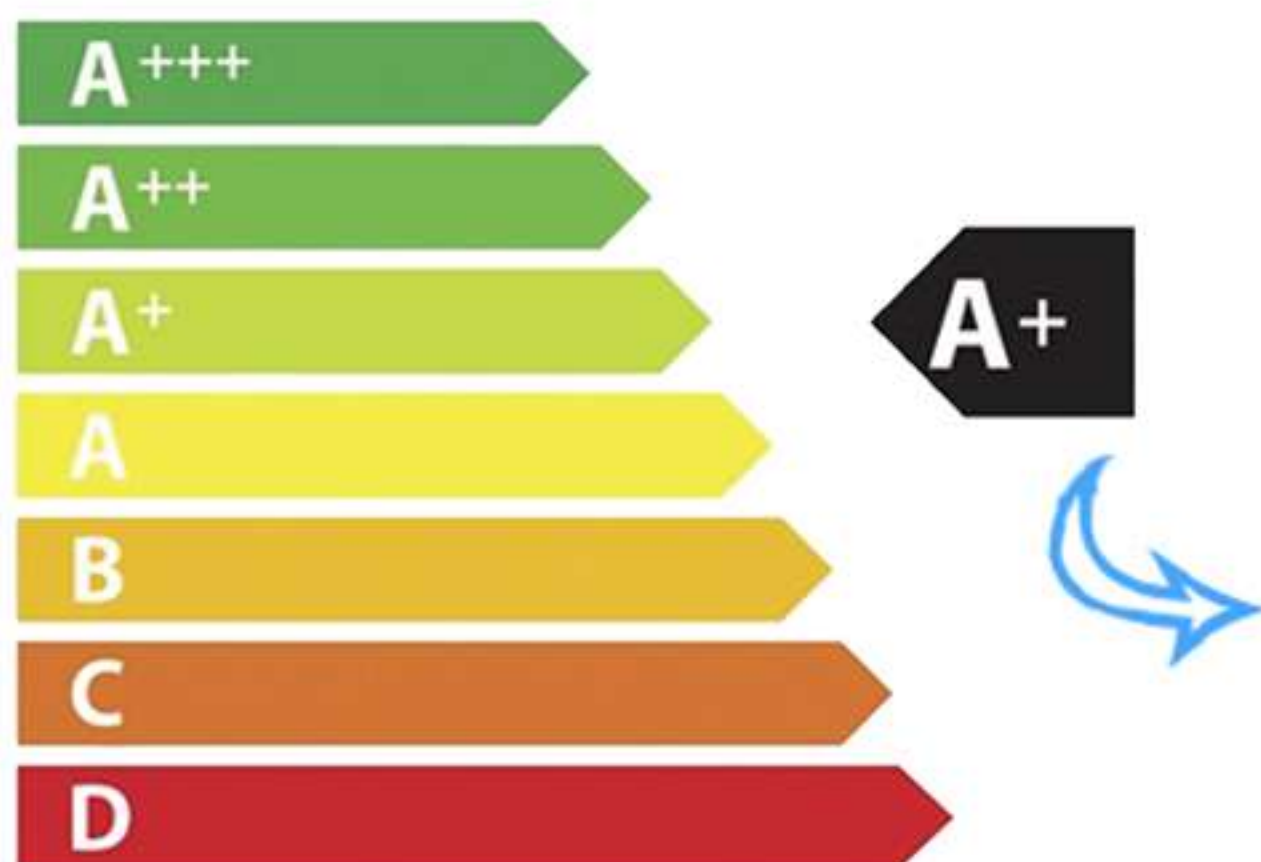
40 000
HEURES

Long service life (10 years)



Sold with a remote control

Low energy consumption



80%
energy
savings

POWER	CL6D-5.0G : 30 W - 50/60 Hz
	CL8D-5.0G : 35 W - 50/60 Hz
	CL12D-5.0G : 40 W - 50/60 Hz
	CL14D-5.0G : 45 W - 50/60 Hz
VOLTAGE	AC:220-240V
WEIGHT	1,2 Kg
IP RANKING	IP20

5 YEAR MANUFACTURER WARRANTY



Adjust the light intensity !

Adapt your lighting according to your needs.



5700 Kelvin

7100 Kelvin

A range for all your parts

Different light powers for all uses

CL6D-5.0G

CL8D-5.0G

CL12D-5.0G

CL14D-5.0G



Sleep function

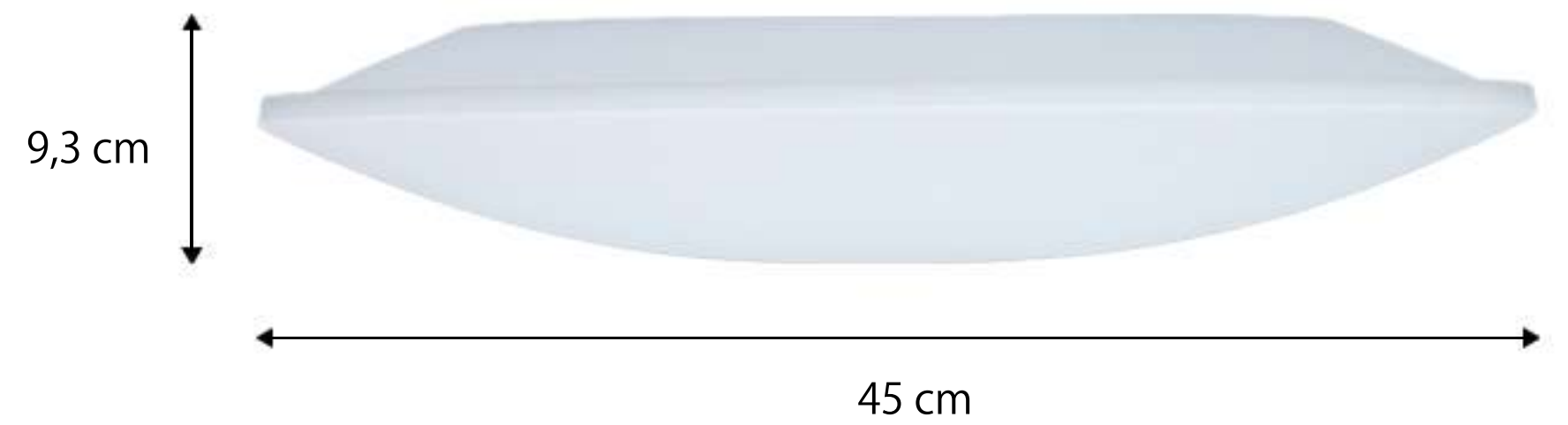


Gradual reduction of lighting then automatic shutdown after 30 minutes



LED intensity and color

Ceiling Light DIM & TON



One ceiling light, several atmospheres !

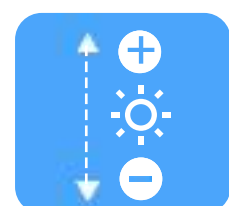


Adjusting the color temperature



11

color temperatures



Adjustment of light intensity



Long service life (10 years)



Sleep function



Sold with a remote control

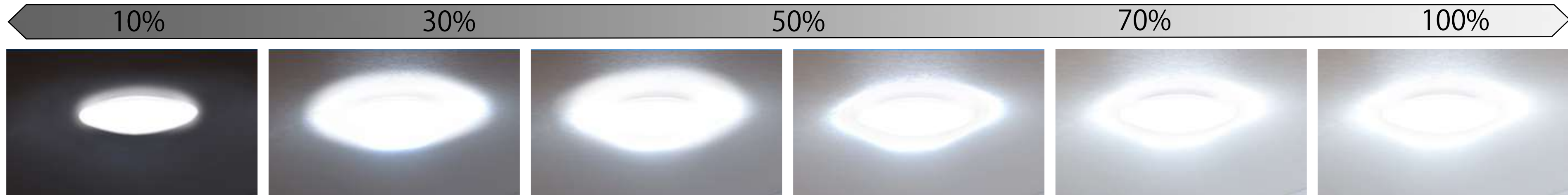
PUISSANCE	CL6DL-5.0G : 30 W - 50/60 Hz
	CL8DL-5.0G : 35 W - 50/60 Hz
	CL12DL-5.0G : 40 W - 50/60 Hz
	CL14DL-5.0G : 45 W - 50/60 Hz
VOLTAGE	AC:220-240V
POIDS	1,2 Kg
CLASSEMENT IP	IP20

5 YEAR MANUFACTURER WARRANTY

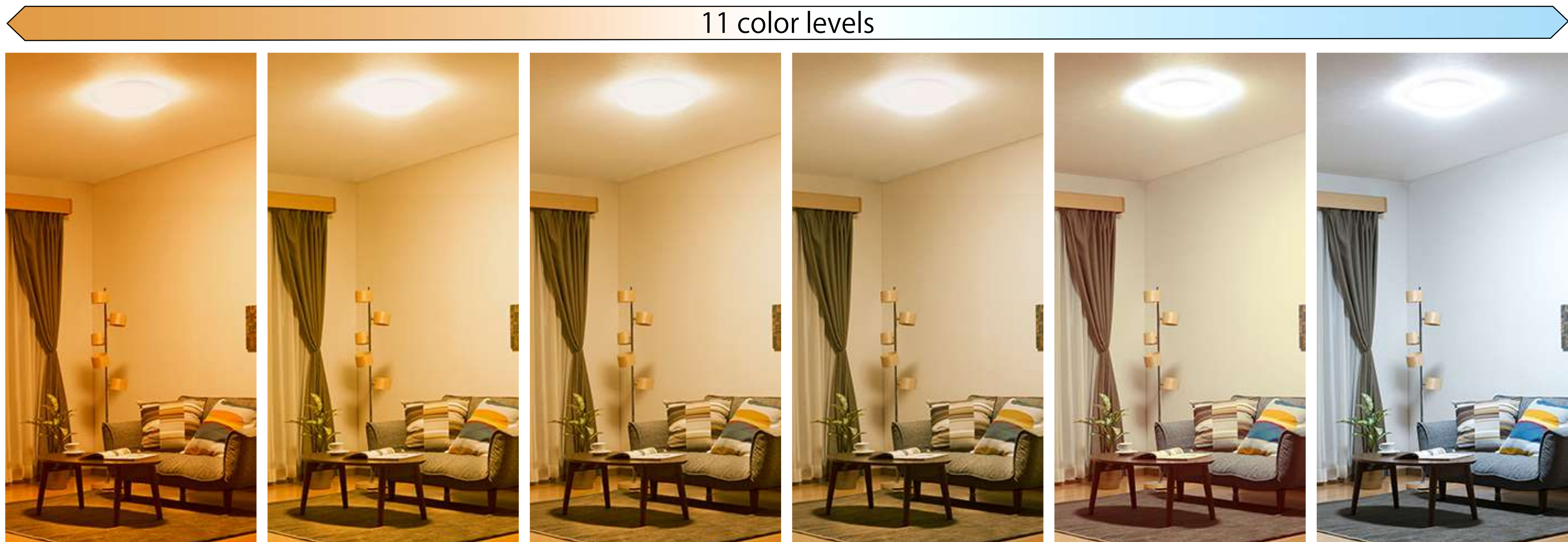


Choose the atmosphere you want !

Choose the light intensity ...



... and the color temperature that suits you.



2800 Kelvin

6000 Kelvin

A range for all your parts

Different light powers for all uses

CL6DL-5.0G

CL8DL-5.0G

CL12DL-5.0G

CL14DL-5.0G

3500
Lumens

4000
Lumens

5000
Lumens

5500
Lumens



“NIGHTLIGHT” TIP



Use of low intensity lighting:
conductive to calm and
falling asleep.





Air Conditioner



Room Air Conditioner

IHF-1201G-E

Your ally all year!



Available in Silver gray

MODE

4 operating modes (+ Auto mode)



Air conditioner



Dehumidifier



Fan



Heater



5 powers of supply air (+ Auto mode)



Programmable automatic shut-off timer



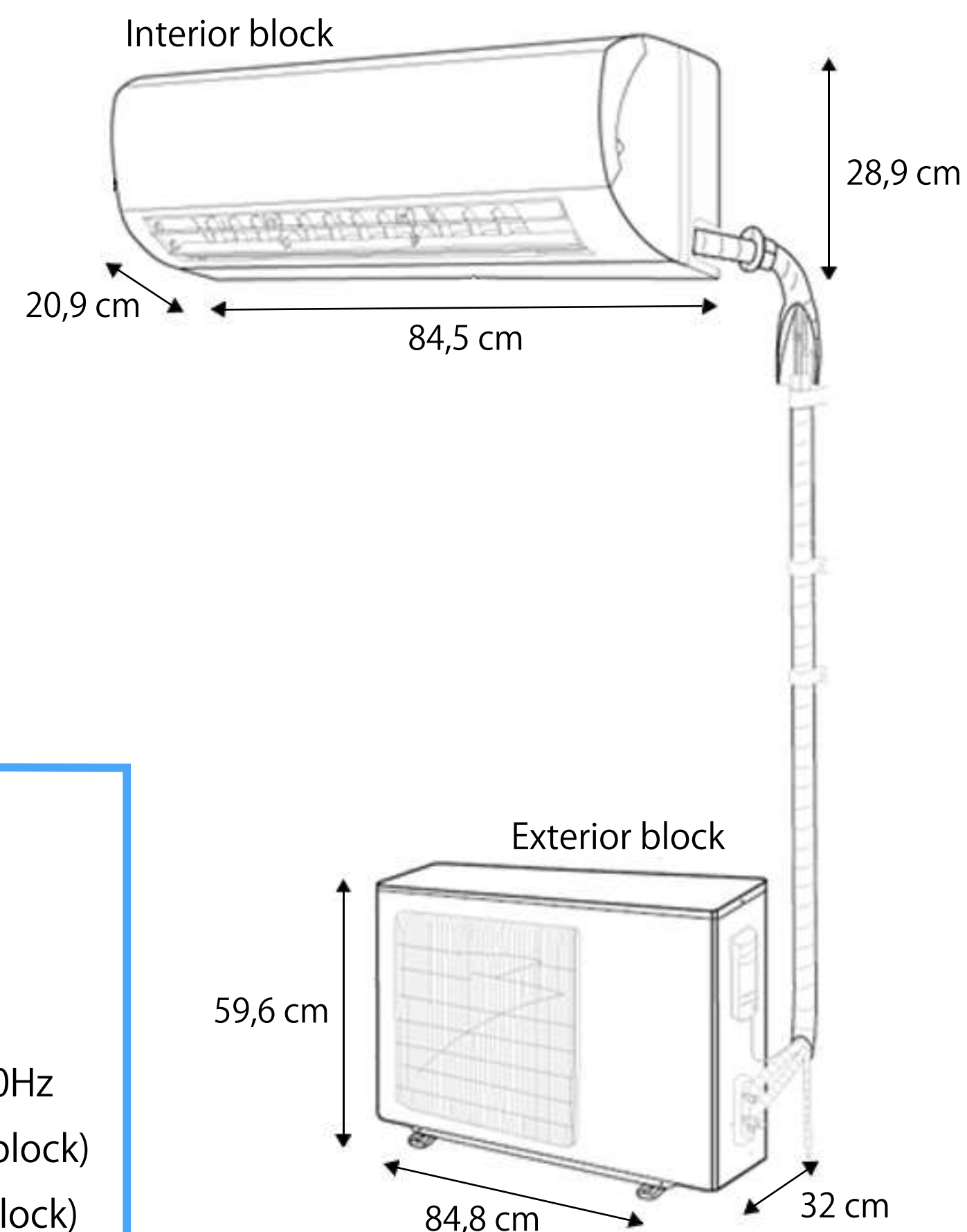
Sleep function



Sold with a remote control



Lock (child safety)



AIR CONDITIONER POWER	3 500 W 12 000Btu/h
HEATING POWER	3 670 W 12 500Btu/h
VOLTAGE	AC:220-240V - 50Hz
WEIGHT	10,5 kg (Interior block) 31 kg (Exterior block)

2 YEAR MANUFACTURER WARRANTY



Comfort in summer and winter !



Maximum
air capacity
680 m³/h

Sleep function

3 MODES AVAILABLE

- 1** +2°C or -2°C after 2 hours
- 2** +/-°C 2 hours before waking up
- 3** Manually choose the ventilation rate throughout the night

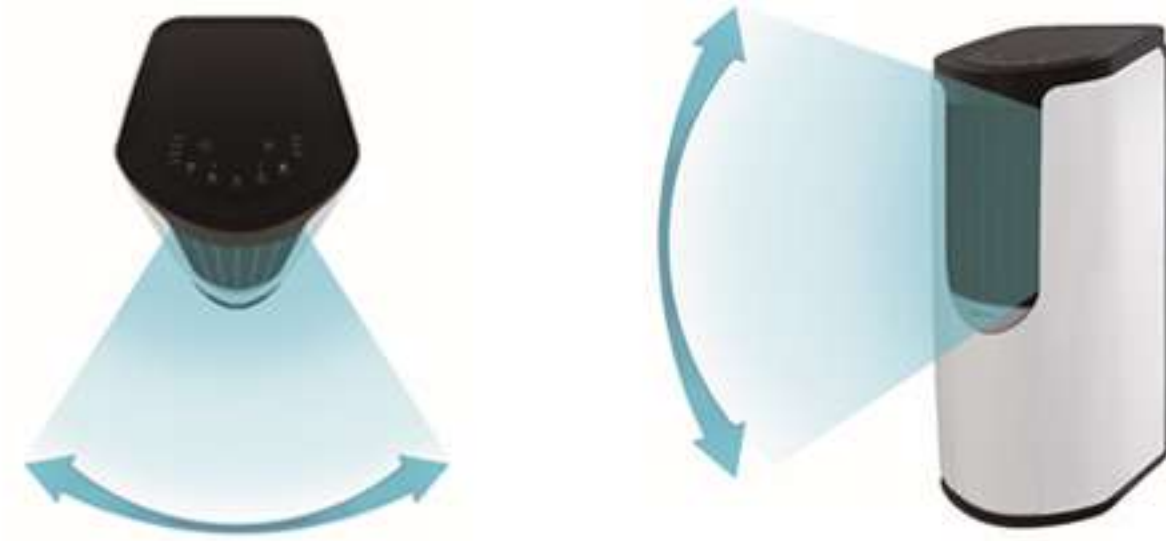


X-FAN function

Ensures self-cleaning
of the device and
therefore promotes
a longer service life.

Portable Air Conditioner




IHP-0901G-E



Refresh your interior!

MODE

3 operating modes (+ Auto mode)

-  Air conditioner
-  Dehumidifier
-  Fan



3 powers of supply air (+ Auto mode)



Programmable automatic shut-off timer



Sleep function



Sold with a remote control



Lock (child safety)



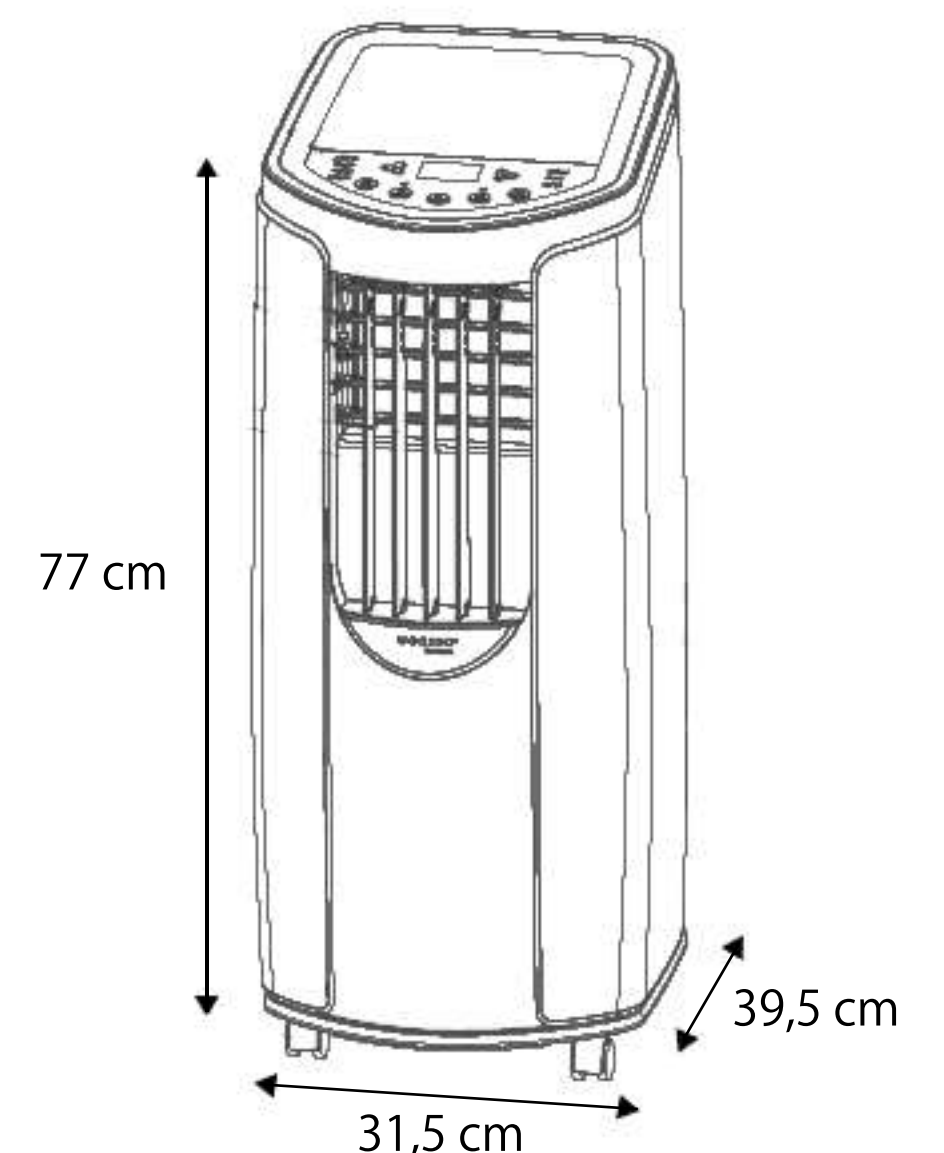
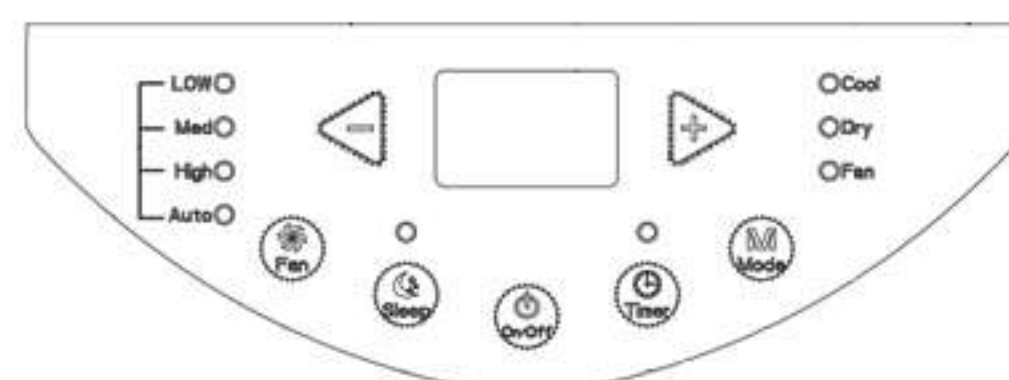
Available in White

POWER 2 600 W

8 870Btu/h

VOLTAGE AC:220-240V - 50Hz

WEIGHT 2,7 kg



2 YEAR MANUFACTURER WARRANTY



Mobility for fresh air in all your rooms !



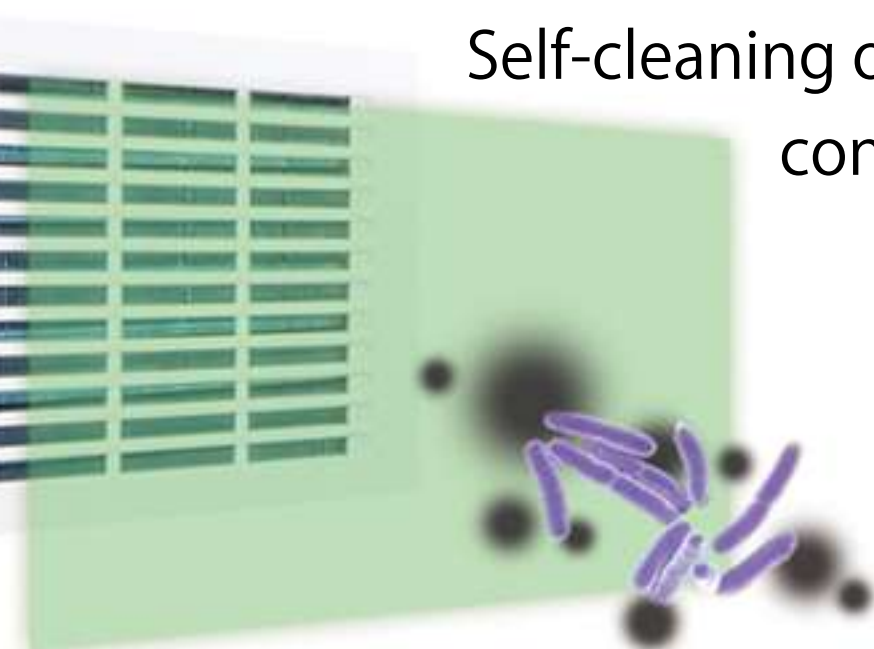
Maximum
air capacity
320 m³/h



X-FAN function

Self-cleaning of the air conditioning after use.

Helps prevent the development of bacteria or molds.



Sleep function

Rises by 2 ° C after
2 hours of operation



