

CODE : 874012

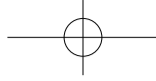
品名 : ㊦EU取説空気清浄機 AP45-M

サイズ : 210 × 297 (A4) 76 ページ

材質 : 上質紙 菊判 48.5kg (81.4g /㎡)

刷色 : 1C (BLACK)

**K**



**AP45-M**

**WOZZOO®**  
by Ohyama

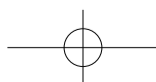
# Air Purifier with Monitor

AP45-M

---

## User manual

---



## Contents

Specifications .....	2
Safety precautions .....	3
Using precautions .....	5
How to place .....	6
Parts .....	7
Preparations before use .....	10
Operation instructions .....	12
Indoor dust monitor .....	14
Cleaning and maintenance .....	15
Troubleshooting .....	17
A product sold separately .....	18

## Specifications

Product number		AP45-M
Rated voltage		220-240V~
Rated frequency		50Hz
Power consumption	Silent	3W
	Normal	17W
	Strong	59W
	Turbo <sup>※1</sup>	80W
Approximate coverage area		96m <sup>2</sup>
Product size (about)		W400×D201×H586mm
Product weight (about)		5.6kg
Power code length (about)		2m

- ※<sup>1</sup> “Turbo” is the short-time mode to clear the air rapidly.
- ※ The coverage area is not guaranteed coverage value.
- ※ Product specifications are subject to change without prior notice.

## Safety precautions

Make sure to follow the precautions described below to avoid injury or unnecessary property loss to anybody. The safety precautions are classified according to the degree of harm or damage caused by misuse.

### Examples of symbols



This symbol means "reminding".



This symbol means "forbidden".



This symbol means necessary "instructions".



### Warning

The symbol means matters which may lead to death or serious injury during faulty operation.

#### Use the power plug and power cord correctly



Be sure to

- **Remove dust from the power plug regularly**  
Dust buildup may lead insulation failures due to moisture, cause fire or electric shock.
- **Insert the power plug securely all the way to the socket**  
Otherwise it may cause electric shock or injury due to the short circuit.



Unplug the product

- **Be sure to unplug before conducting maintenance, inspecting or moving the product**  
Otherwise it may cause electric shock or injury.



Avoid contact with wet hands

- **Do not plug or unplug with wet hands**  
It may cause electric shock, burns or injury.



Prohibited

- **Stop using the product with a faulty power cord or plug or a loose power socket**  
It may cause electric shock or injury due to the short circuit.
- **Do not use the bundled power cord**  
It may overheat the code, cause burns or fire. Be sure to unwind the power cord before use.
- **Do not stretch the power cord when moving or storing it**  
It may cause fire or electric shock.
- **Do not damage power cord**  
Do not damage, process, forcefully bend, pull, twist or squeeze the power cord, or place weight on it.  
It may damage the power code and cause fire or electric shock.
- **The product can only be powered by 220-240V~**  
Otherwise it may cause fire or electric shock.



Be sure to

- **In the case of the abnormalities or breakdowns, stop using and immediately turn off the power and unplug**  
Otherwise it may cause smoke generation, fire or electric shock.  
〔Cases for abnormalities〕
  - Abnormal smell or sound during operation
  - Abnormal heating of power plug and power cord
  - Intermittent power on and off after moving the power cord
  - Frequent breakdown during operation
  - Tingling caused by electric shock when touching with hands.
 ➔ Please disuse immediately and consult to the shop you purchased the product or [Iris Ohyama France SAS](#) by calling the consultation number for related matters.



Do not disassemble

- **Do not disassemble, repair or modify the product**  
It may cause fire, electric shock or injury. Only qualified engineer can repair. Please consult to the shop you purchased the product or [Iris Ohyama France SAS](#) by calling the consultation number for repair related matters.



Avoid getting the product wet

- **Do not use the product in the water source, bathroom or other damp places**
- **Do not soak the product in water or pour water on it**  
It may cause fire or electric shock.



Be sure to

- **If the supply cord is damaged, it must be replaced by the manufacturer, its service agent or similarly qualified persons in order to avoid a hazard**

## Safety precautions Continue



Prohibited

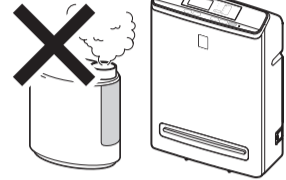
- Do not spray on the product (such as insecticide, hair dressing or grease)
- Keep the product away from flammable substances (kerosene, gasoline and paint thinner, etc.)
- Do not use this product near a smoke-filled place  
It may cause fire.



Prohibited

- Do not use the product in a place where it is exposed to steam from a humidifier or other similar devices

It may shorten the product's life span, cause electric shock or malfunction.



### Caution

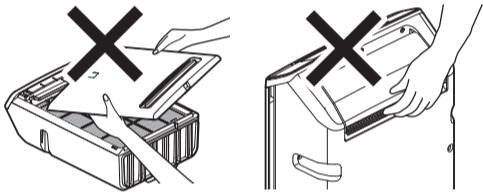
Faulty operation may lead to personnel injury or article damage.



Prohibited

- When moving the product, hold the handle

Holding the flaps of front panel or air outlet to lift the product, they may fall, and injure and damage furniture due to the fall.



Prohibited

- Do not sit on or lean against the product
- Do not use in close proximity of children
- Do not let children play with this product  
It may cause injury due to the fall.
- The product is utilized indoors only



Prohibited

- Do not block the air intake or air outlet

Failure to do so may cause deformation, failure or fire due to overheating.

- Please do not put fingers or any metal materials in the air intake or air outlet

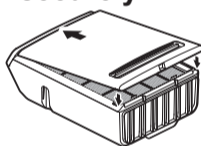
Failure to do so may result in electric shock or failures.



Be sure to

- Close the front panel securely

Otherwise, the panel may fall, and injure and damage furniture due to the fall.



Prohibited

- Do not operate the product when using fumigation type insecticide (smoke or fog)

Medicinal substances may build up inside the air purifier. During the subsequent operation, they may emit to the air and hurt your health. After using insecticide, use the product after providing ventilation fully.



No fire

- Keep the product away from the fire or heater

It may cause fire.

Also, the wind from the air purifier may make the heater's flame become bigger and may cause fire.

- Keep away from sources which could cause combustion or flame, such as cigarettes, incense, etc.

It may cause fire.



Unplug the product

- Hold the power plug to unplug

Otherwise it may damage the power cord and cause fire or electric shock.

- Unplug when the product is not in use for a long period of time

Otherwise it may cause fire or electric shock because insulation is hampered.

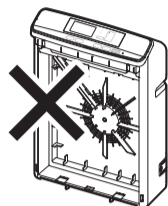


Be sure to

- This appliance can be used by children aged from 8 years and above and persons with reduced physical, sensory or mental capabilities or lack of experience and knowledge if they have been given supervision or instruction concerning use of the appliance in a safe way and understand the hazards involved. Children shall not play with the appliance. Cleaning and user maintenance shall not be made by children without supervision

## Using precautions

- **Do not operate the product without a filter**  
Running the product without a filter will not clean the air. It may also cause malfunction.

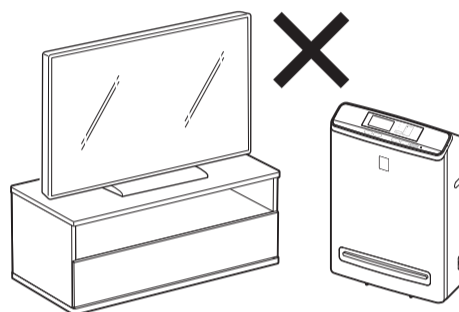


- **Do not use a torn or damaged filter**  
It may cause malfunction or performance degradation.
- **Install the specific filter to the product properly**
- **Do not use the product as a fan**
- **Do not use the product near oil components such as food oil**  
It may shorten the filter's life span or cause malfunction.

- **Please keep the product away from the radio or television.**

The electromagnetic interference may affect the normal operation of radio and television.

- **Pressing the button will go the buzzer.**  
Stopping the operation will emit beep sounds and other operations will emit bip sounds.



### Waste treatment

- **Please dispose the product and packing materials in accordance with local regulations.**

## How to place

### ■ Keep its distance from household furniture and other equipment

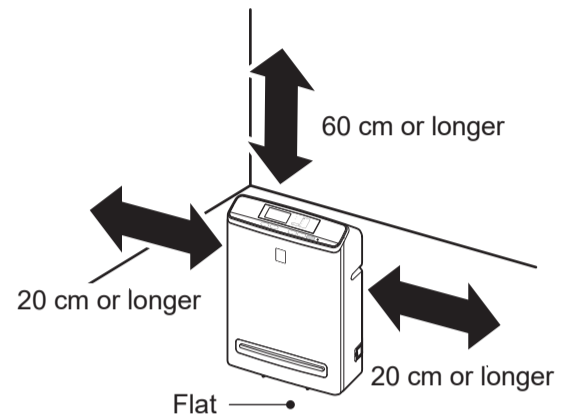
- Avoid any places near air conditioners or heaters and place the product in well-ventilated places.
- Place the product at least 20 cm from walls or furniture and at least 60 cm from the ceiling.

### ■ Place the product in a flat and stable surface

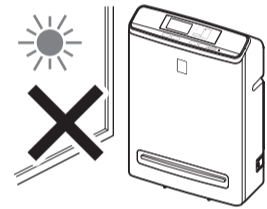
- Do not use it in an unstable surface.
- Don't topple over or tilt the product. It may injure you or malfunction due to the fall.

### ■ Precautions

- Recommended indoor temperature is 0 ~ 35°C .
- Do not use the product in an environment that the temperature difference is extreme and moisture condensation may occur.
- Put plants in places where they are not exposed to the wind from the air outlet.

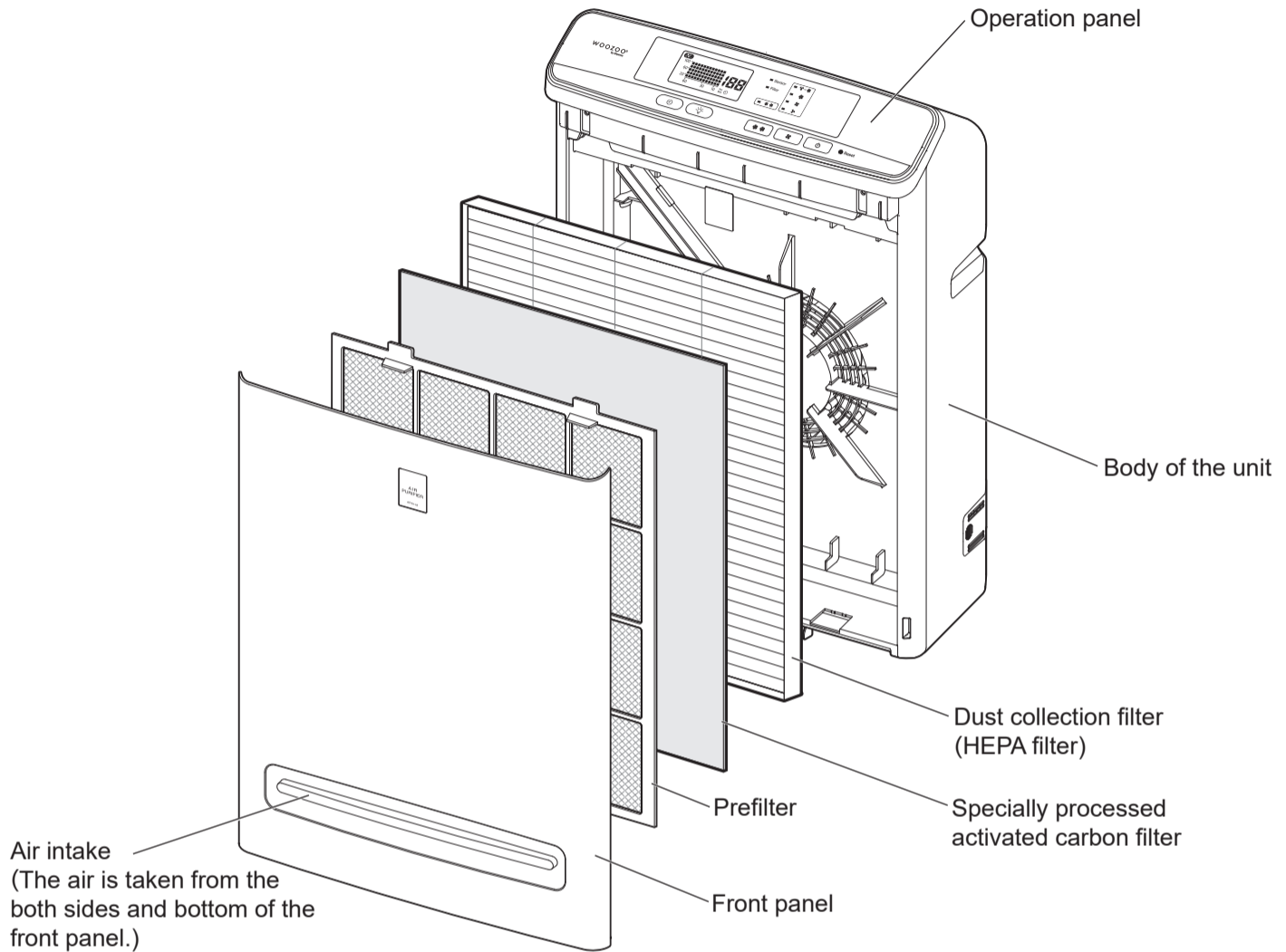


- Walls surrounding the product may be polluted. Clean the walls if the product is used for a long period of time.
- Do not use the product in places where it is exposed to direct sunlight. Otherwise, it may cause improper operation or discoloration.

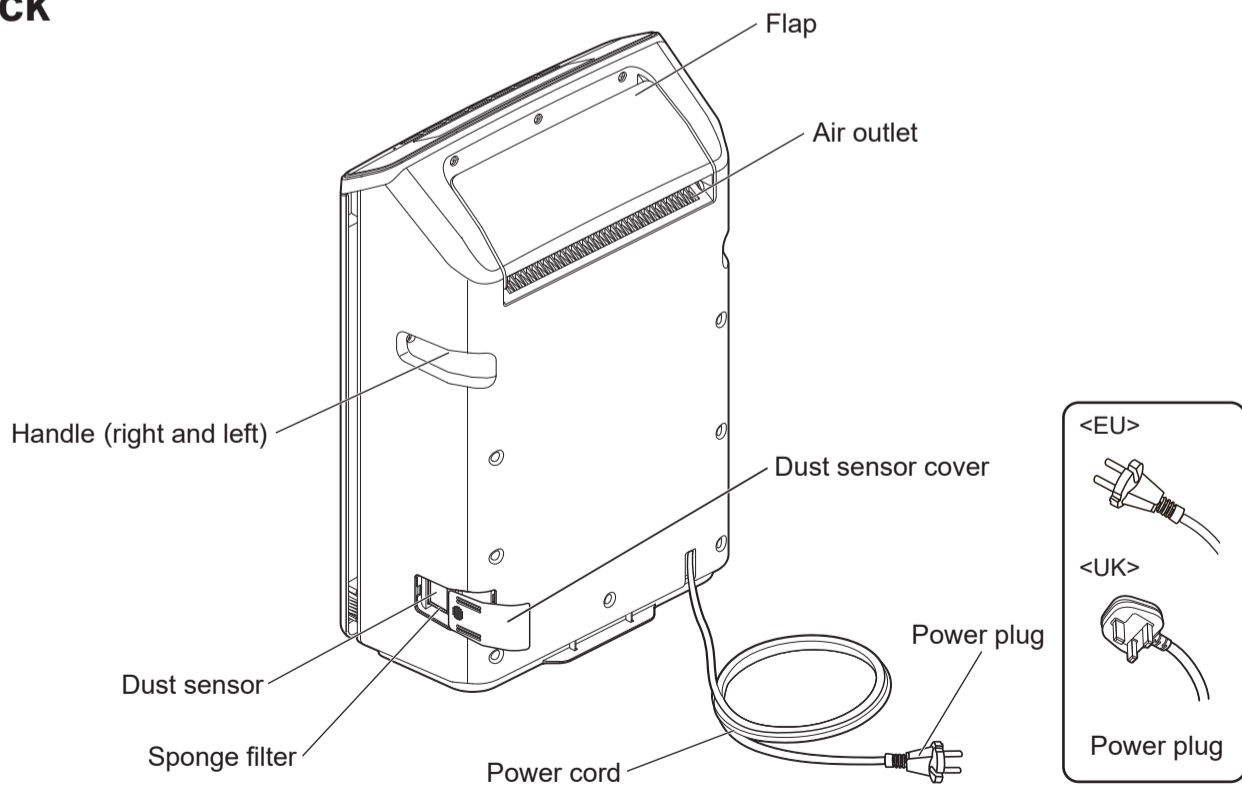


# Parts

## Front



## Back

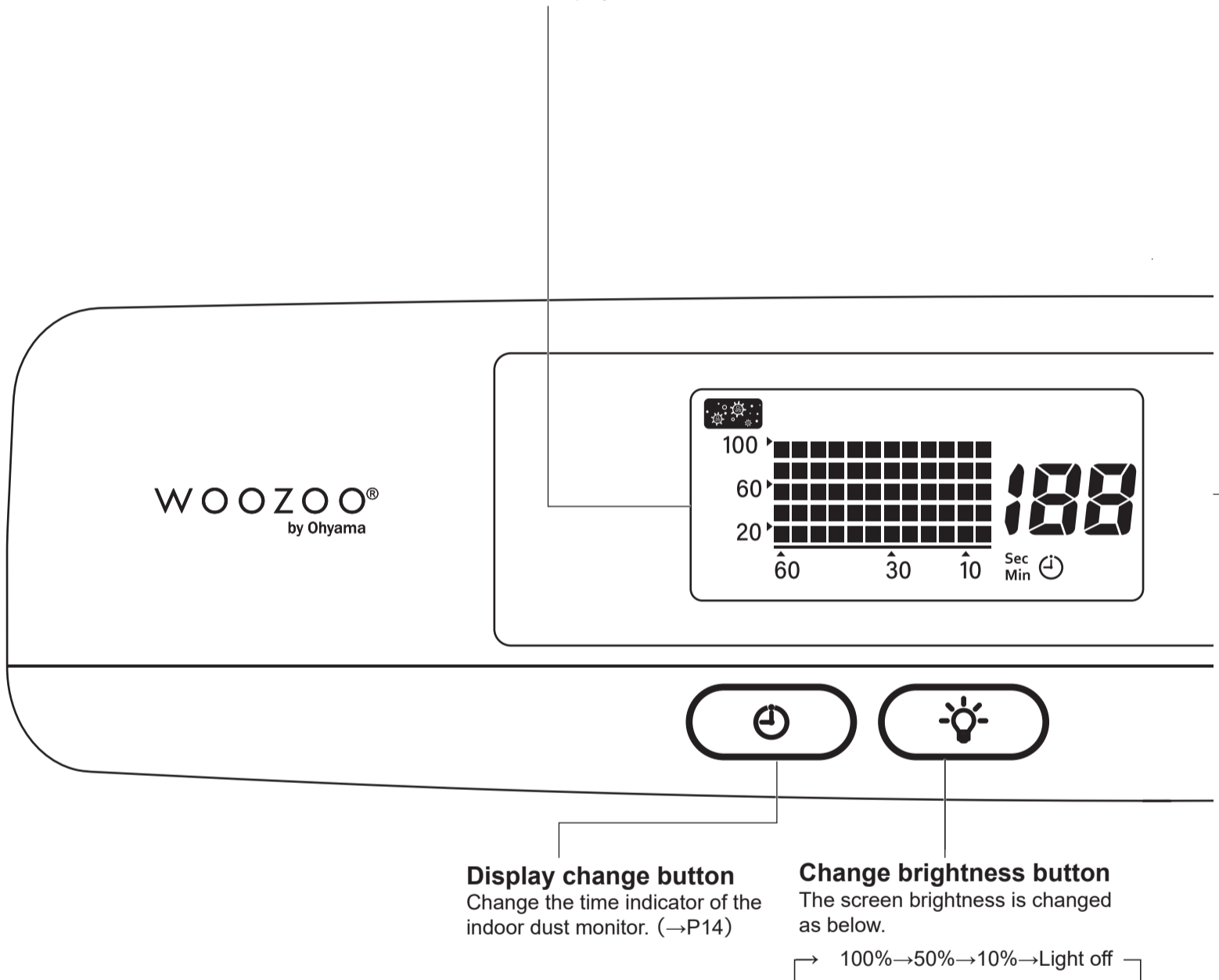


## Parts Continue

### ■ Operation panel

#### Indoor dust monitor

The sensor measures the indoor dust level and the level is displayed. (→P14)



**Display change button**  
Change the time indicator of the indoor dust monitor. (→P14)

**Change brightness button**  
The screen brightness is changed as below.

→ 100% → 50% → 10% → Light off



**Clean sensor indicator**

If the indicator is illuminated, it's time to clean the sensor. (→P16)

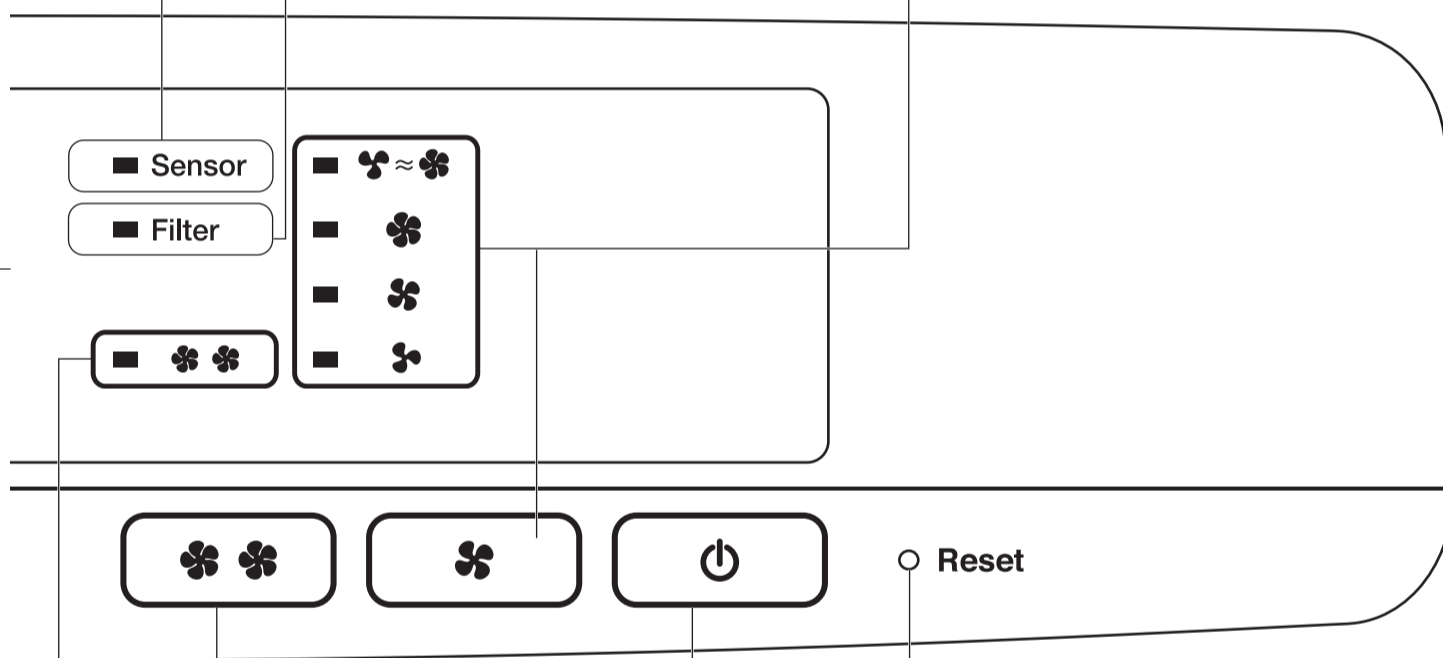
**Operation mode button/lamp**

Every time the button is pressed, the operation mode is changed as below. (→P12)

Silent→Normal→Strong→Automatic operation

**Change filter indicator**

If the indicator is illuminated, it's time to change the filter. (→P16)

**Turbo button/lamp**

Press the button to turn on the lamp and perform the turbo operation of AP45-M for about 10 minutes. (→P12)

**Reset button**

After changing the filter or cleaning the sensor, press the button located at the back of the hole and turn off the change filter and clean sensor indicators. (→P16)

**Operation OFF/ON button**

Press the button to turn on the power and start operation with the same operation mode before stopping the operation. Press the button again to stop operation and turn off the power. (→P12)

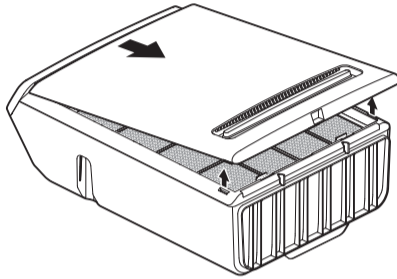
## Preparations before use

### How to install filters

Be sure to install the filter before plugging in.

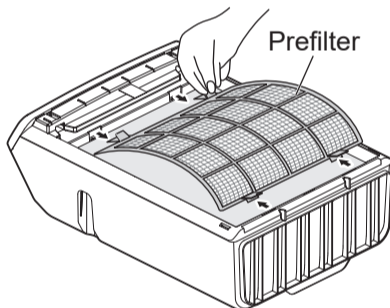
#### 1 Turn the product on its side to remove the front panel

- Lift the both sides of the lower part of the front panel to remove.



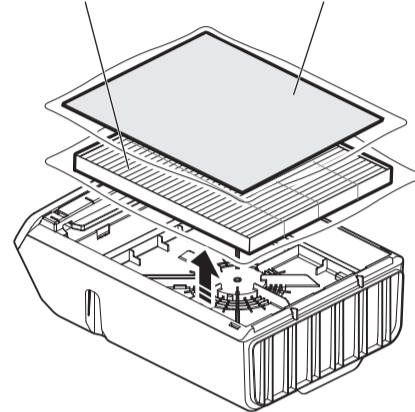
#### 2 Remove the prefilter

- Pull the claws (two parts) in the upper side to remove.
- Then pull the claws (two parts) in the lower side to remove.



#### 3 Remove the activated carbon filter and dust collection filter from the plastic bag

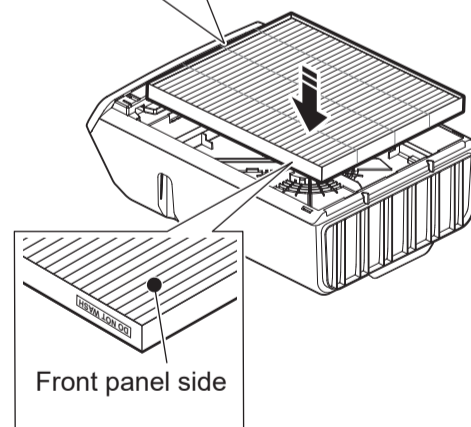
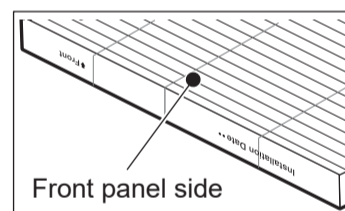
Dust collection filter      Activated carbon filter



- The filters are put in the plastic bag to retain their quality. Remove them from the bag before using.

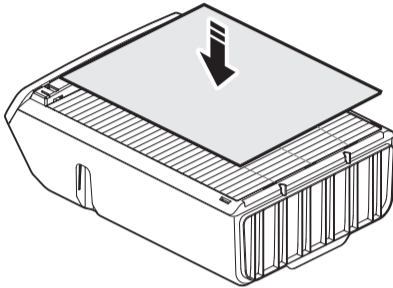
#### 4 Install the dust collection filter

- The direction of the arrow of the filter must be the same as the front panel side.
- ※ If not the dust collection function may not work properly.
- Fill out the date of usage (the date when you opened the bag) with a magic marker.



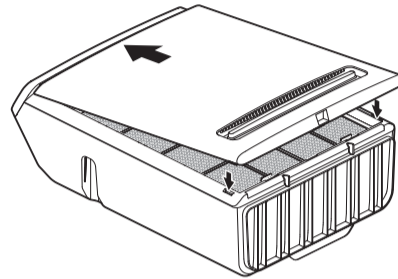
## 5 Install the activated carbon filter

- There is no distinction between both sides.
- Fill out the date of usage (the date when you opened the bag) with a magic marker.



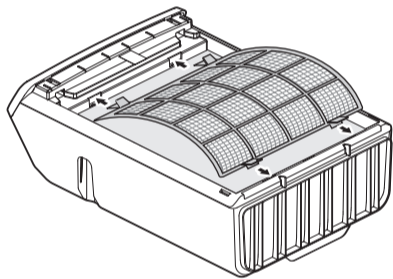
## 7 Install the front panel

- Put the hanger in the upper side of the front panel to the hook in the upper side of the body and insert the claws in the lower side to the hole of the body.



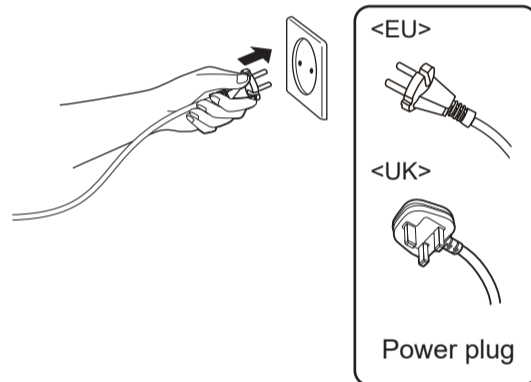
## 6 Install the prefilter

- Insert the claws (two parts) in the lower side to the hole of the body of the unit. Then insert the claws (two parts) in the upper side to the hole of the body of the unit.



## Plug in

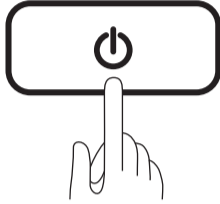
- Place the product on a flat and stable surface and plug in.



# Operation instructions

## 1 Press operation OFF/ON button

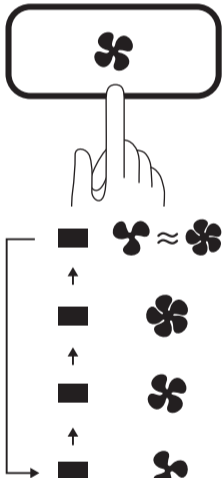
- The operation will start with the set mode before stopping operation.
- After plugging out the power cord or undergoing power failure, turn on the power to start the operation in automatic operation mode.



- As the sensor has high sensitivity, if an ultrasonic humidifier or a spray is used nearby, the sensor may react, without visible mists.

## 2 Select the operation mode

- Press the (operation mode) button to change the mode.



### Automatic operation ■ ≈

Selecting the (automatic operation) ≈ will automatically change the air flow volume based on the density that the sensor detects.

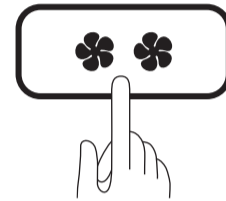
### Silent ■ , Normal ■ , Strong ■

Selecting (silent , normal , strong ) will perform the continuous operation regardless of the sensor.

## Turbo mode

When the indoor air was polluted, the air purifier will clean the polluted air in the strong mode for a short period of time.

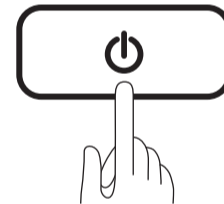
- Press the (turbo) button to perform the turbo operation. The (turbo) lamp will light up.



- It will perform the turbo operation for about 10 minutes.
- To end the turbo operation, press the (turbo) button or (operation mode) button.
- The operation will start with the set mode before the turbo operation.
- ※ Opening the flap of air outlet during the turbo operation is recommended.

## To stop the operation

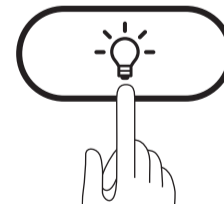
- Press the (operation OFF/ON) button during operation, the operation will stop with beep sounds.



## Change the brightness

- Press the (change brightness) button to change the brightness of the backlight. Every time the button is pressed, the backlight's brightness will be changed as below.

→ 100% → 50% → 10% → Light off



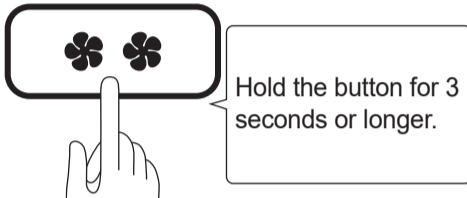
- ※ Stop the operation to turn off the backlight.

## Set the sensor sensitivity

Set the sensor sensitivity. Use this function when the light of dust monitor screen remains red or red light sometimes comes on.  
Be sure to perform this after turning off the power.

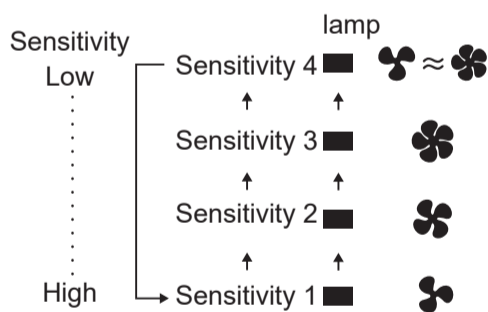
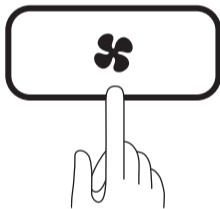
### 1 Hold the turbo button

- To emit bip sounds and set to the sensitivity setting mode.



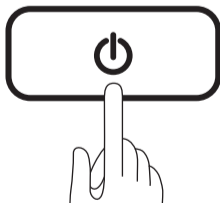
### 2 Press the operation mode button to change your preferred sensitivity

- Every time the button is pressed, the product emits bip sounds to change the sensibility as below.
- Perform the setting within 10 seconds. After 10 seconds, the product will emit beep sounds and the adjustment will end automatically.
- Factory default setting is set to Sensitivity 1.



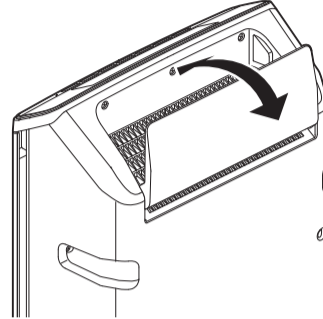
### 3 Press operation OFF/ON button

- The product emits beep sounds to confirm the set sensitivity.

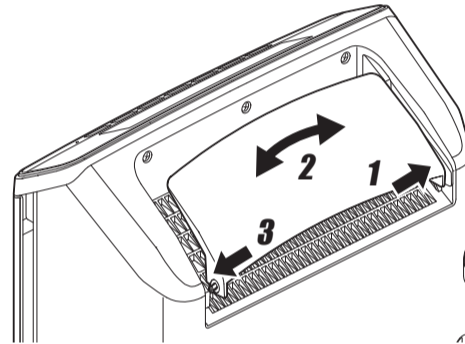


## Adjust the air flow direction

The flap of air outlet will adjust the air flow direction.



For your safety, the flap is designed to be removed easily. If it's removed, install it in the following manner (pay attention to the direction).

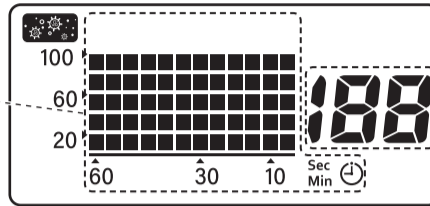


- Put the left side shaft (thicker one) to the hole
- Bending
- Put the right side shaft to the hole

# Indoor dust monitor

Measured indoor dust value by the sensor will be shown.

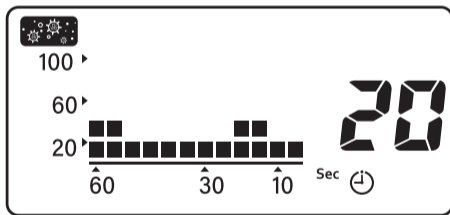
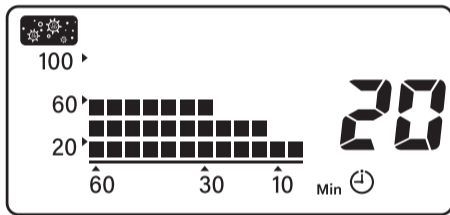
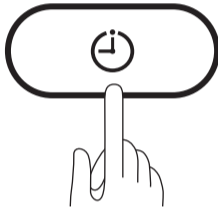
The dust density change for the past 60 minutes or 60 seconds will be shown. New values from the graph's right side will be shown every 5 minutes or 5 seconds.



The current air dust density will be shown from 0 to 100.

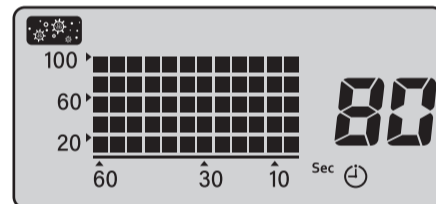
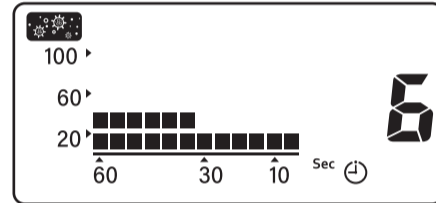
## Time indicator

- Press the (display change the time minutes/seconds) button to change time indicator in the graph in minutes and seconds.



## Light of dust monitor screen

- The degree of the polluted air measured by the sensor will be indicated in the dust monitor screen in the backlight color.



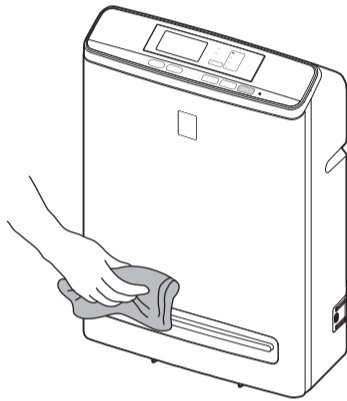
Backlight color	Degree of the polluted air
Blue	Clean
Red	Dirty

## Cleaning and maintenance

- Clean the product after stopping operation and unplugging.
- Do not use detergents, thinner, benzene, bleaching agents, etc.

### Body Once a month

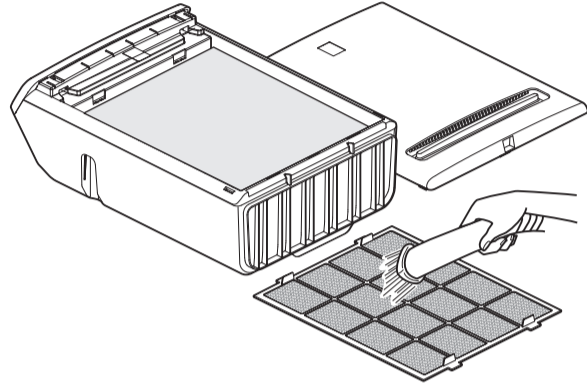
- Soak a soft cloth with water or lukewarm water (40°C or below), wring it and wipe out dirt.



- Do not pour water. It may cause electric shock, injure or malfunction.
- To use a chemically treated cloth, follow the warning labels.

### Prefilter Once a month

- Dust build-up in the prefilter will reduce the air volume. Open the front panel to remove the prefilter and clean dust using a vacuum.



### Caution

- **Activated carbon filter and dust collection filter cannot be cleaned.** Do not vacuum or wash in water. Do not forcibly press or round the filter. It may damage the filter. Torn dust collection filter cannot clean the air.

※ If the prefilter is damaged, please contact [Iris Ohyama France SAS](#) Customer Service Center.

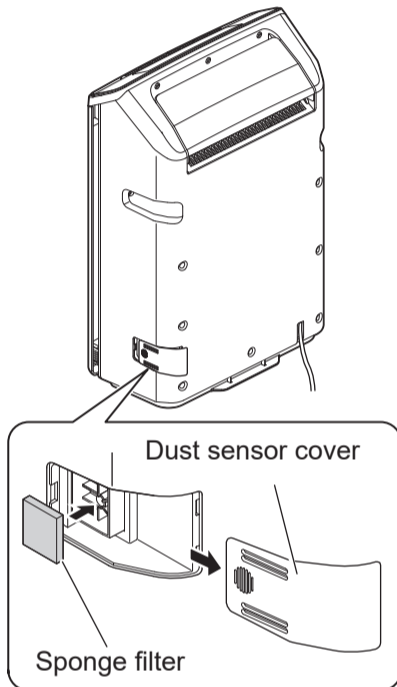
## Cleaning and maintenance Continue

### When the clean sensor indicator lights up

The (clean sensor) ■ **Sensor** indicator lights up to let you know when it is time to clean the sensor.

Light up ■ **Sensor**

- Open the dust sensor cover in the side of the body and remove the sponge filter. Wash the sponge filter in waster, dry thoroughly and put it back to the original place.



- After installing the sponge filter again, press the (reset) ○ **Reset** button and turn off the (clean sensor) ■ **Sensor** indicator.

○ **Reset**

Press the back of the hole in the operation panel

- Do not operate the product without the sponge filter (the dust sensor cannot measure the dust level properly).
- ※ Lighting time of the (clean sensor) ■ **Sensor** indicator varies based on the operation frequency. Under the normal operation environment, the indicator will light up after 1 month use.

### When the change filter indicator lights up

The (change filter) ■ **Filter** indicator will light up to let you know when it is time to change the filter.

Light up ■ **Filter**

- Purchase a filter sold separately (→P18) and change the filter according to the procedures of "Preparations before use." (→P10)
- After changing the filter, press the (reset) ○ **Reset** button and turn off the (change filter) ■ **Filter** indicator.

○ **Reset**

Press the back of the hole in the operation panel.







- ※ Lighting time of the (change filter) ■ **Filter** indicator varies based on the frequency of operation and the density of polluted air. Under the normal operation environment, the indicator will light up in 2 years.

● If the (clean sensor) ■ **Sensor** indicator and (change filter) ■ **Filter** indicator light up at the same time, press the reset button to turn off the indicators.



# Troubleshooting

Please confirm the following problems after reading the operation manual carefully before you entrust to repair it.

State	Cause	Measures
The product does not perform the operation	● The power plug is not inserted securely into the socket	● Insert the power plug securely into the socket.
Weak air flow	● The filter is still in the plastic bag	● Remove the filter from the plastic bag and install it properly. (→P10)
The product is emitting noisy sounds		
Odors or smokes cannot be removed	● The filter is not installed	
Before the (change filter) ■ Filter indicator lights up, odors and smokes cannot be removed	● The indoor air pollution is severe than the normal indoor environment	● Regardless of the (change filter) ■ Filter indicator, please change the filter as soon as possible.
The product is vibrating	● The product is placed on an unstable surface	● Place it on a flat and stable surface. (→P6)
Indoor dust monitor screen is dark	● The backlight's brightness is set to the light off	● Press the (change brightness)  button to adjust the brightness of the backlight. (→P12)
The product is emitting beep sounds and does not work Error 「E !」	● Power frequency cannot be detected properly	● Insert the power plug again.
The product is emitting beep sounds and does not work Error 「 - - 」	● Dust cannot be detected properly	● The automatic operation ■  ≈  (silent) ■  , normal ■  , strong ■  does not work and the turbo operation works. Contact the retail shop where you purchased the product or <a href="#">Iris Ohyama France SAS</a> Customer Service Center.

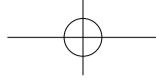
## If you still cannot solve the problem

Please contact the store where you bought it or [Iris Ohyama France SAS](#) Customer Service Center.

[Iris Ohyama France](#) Customer Service E-mail  
CustomerService@iriseurope.fr



**Warning** Do not disassemble, repair or modify the product.



## A product sold separately

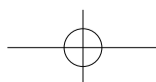
### ■ Dust collection filter (HEPA filter)

Model no	AP45-HEPA
----------	-----------

### ■ Specially processed activated carbon filter

Model no	AP45-CARB
----------	-----------

- For items sold separately, Please contact the store where you bought it or [Iris Ohyama France SAS](#) Customer Service Center.



K

DE

AP45-M

WOZZOO®  
by Ohyama

# Luftreiniger mit Monitor

AP45-M

## Bedienungsanleitung



## Inhalt

Spezifikationen .....	20
Sicherheitsüberlegungen .....	21
Vorsichtsmaßnahmen bei der Verwendung .....	23
Aufstellung .....	24
Teile .....	25
Vorbereitungen vor Gebrauch .....	28
Betriebsanleitung .....	30
Innenstaubmonitor .....	32
Reinigung und Wartung .....	33
Problembehandlung .....	35
Ein getrennt erhältliches Produkt .....	36

## Spezifikationen

Produktnummer	AP45-M	
Nennspannung	220-240V~	
Nennfrequenz	50Hz	
Energieverbrauch	Stumm	3W
	Normal	17W
	Stark	59W
	Turbo <sup>※1</sup>	80W
Ungefährer Abdeckungsbereich	96m <sup>2</sup>	
Produktgröße (Über)	B400×T201×H586mm	
Gewicht (Über)	5,6kg	
Länge des Netzkabels (Über)	2m	

- ※<sup>1</sup> „Turbo“ ist der Kurzzeitmodus, um die Luft schnell zu reinigen.
- ※ Der Abdeckungsbereich ist kein garantierter Abdeckungswert.
- ※ Wenn Produktspezifikationen ändert sich, bemerken wir nicht.

# Sicherheitsüberlegungen

Beachten Sie unbedingt die nachfolgend beschriebenen Vorsichtsmaßnahmen, um Verletzungen von Personen oder unnötige Sachschäden zu vermeiden. Die Sicherheit Die Vorsichtsmaßnahmen sind nach dem Grad der Gefährdung oder des Schadens durch falschen Gebrauch klassifiziert.

## Bedeutung des Zeichens



Zeigt die Erinnerung an Aufmerksamkeit.



Zeigt den Inhalt des Verbots.



Zeigt welche durchgeführt werden müssen.



## Warnungen

Falsche Bedienung Könnte zu Tode oder zu schweren Verletzungen führen.

### Verwenden Sie den Netzstecker und das Netzkabel richtig



Achten Sie darauf

- **Entfernen Sie den Staub vom Netzstecker regelmäßig**  
Staubablagerungen können aufgrund von Feuchtigkeit zu Isolationsfehlern führen und Feuer oder Stromschläge verursachen.
- **Stecken Sie den Netzstecker vollständig in die Steckdose**  
Andernfalls kann es zu einem Stromschlag oder zu Verletzungen durch Kurzschluss kommen.



Trennen Sie das Produkt vom Stromnetz

- **Ziehen Sie unbedingt den Netzstecker, bevor Sie Wartungsarbeiten durchführen, das Produkt inspizieren oder bewegen**  
Andernfalls kann es zu einem Stromschlag oder zu Verletzung kommen.



Vermeiden Sie den Kontakt mit nassen Händen

- **Nicht mit nassen Händen einstecken oder herausziehen**  
Dies kann zu einem Stromschlag, Verbrennungen oder Verletzung führen.



Verboten

- **Verwenden Sie das Produkt nicht mit einem defekten Netzkabel oder Stecker oder einer losen Steckdose**  
Durch den Kurzschluss kann es zu einem Stromschlag oder zu Verletzungen kommen.
- **Verwenden Sie kein aufgewickelter Netzkabel**  
Das Kabel kann überhitzen, Verbrennungen oder Feuer verursachen. Achten Sie darauf, das Netzkabel vor Gebrauch abzuwickeln.
- **Strapazieren Sie das Netzkabel nicht, wenn Sie es bewegen oder aufbewahren**  
Dies kann zu einem Brand oder Stromschlag führen.
- **Beschädigen Sie das Netzkabel nicht**  
Beschädigen, bearbeiten, biegen, ziehen, verdrehen, quetschen und belasten Sie das Netzkabel nicht. Dies kann das Netzkabel beschädigen und einen Brand oder Stromschlag verursachen.
- **Das Produkt kann nur mit 220-240V~ betrieben werden**  
Andernfalls kann es zu einem Brand oder einem Stromschlag kommen.



Achten Sie darauf

- **Im Falle von ungewöhnlichem Verhalten oder Fehlfunktionen sollten Sie das Gerät sofort abschalten und den Netzstecker aus der Steckdose ziehen**
- Andernfalls kann es zu Rauchentwicklung, Brand oder Stromschlag kommen.  
[Beispiele für die Abnormität]
  - Abnormale Geräusche oder Gerüche;
  - Überhitzung des Netzsteckers und des netzkabels;
  - Die Stromversorgung wird beim Bewegen des netzkabels abrupt unterbrochen;
  - Die Maschine stoppt von Zeit zu Zeit;
  - Sie können einen elektrischen Schlag spüren, wenn Sie das Gerät berühren.
- ➔ Hören Sie auf, das Gerät zu benutzen und wenden Sie sich ans Beschaffungsgeschäft, in dem Sie es kaufen, oder ans Kundendienstzentrum von Iris Ohyama France SAS



Bauen Sie es nicht auseinander

- **Dieses Produkt darf nicht zerlegt, repariert oder modifiziert werden**  
Dies kann zu Bränden, Stromschlag oder Verletzung führen. Nur ein qualifizierter Techniker kann die Reparatur durchführen. Bitte wenden Sie sich an das Geschäft, in dem Sie das Produkt gekauft haben, oder an Iris Ohyama France SAS, indem Sie die Beratungsnummer für entsprechende Reparaturangelegenheiten anrufen.



Vermeiden Sie dass das Produkt nass wird

- **Verwenden Sie das Produkt nicht in Ursprungsorten von Wasser, im Badezimmer oder an anderen feuchten Orten**
- **Tauchen Sie das Produkt nicht in Wasser und gießen Sie kein Wasser darüber**  
Dies kann zu einem Brand oder Stromschlag führen.



Achten Sie darauf

- **Wenn das Netzkabel beschädigt ist, muss es durch den Hersteller, seinen Kundendienst oder ähnlich qualifizierte Personen ersetzt werden, um eine Gefährdung zu vermeiden**

## Sicherheitsüberlegungen Weiter



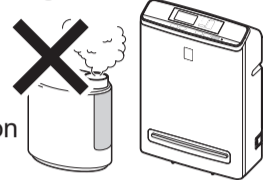
Verboten

- **Sprühen Sie nichts auf das Produkt (wie etwa Insektizide, Haarspray oder Fett)**
- **Halten Sie das Produkt von brennbaren Stoffen fern (Kerosin, Benzin und Farbverdünner usw.)**
- **Verwenden Sie dieses Produkt nicht in der Nähe eines verräucherten Orts**  
Dies kann einen Brand verursachen.



Verboten

- **Verwenden Sie das Produkt nicht an einem Ort, an dem es dem Dampf eines Luftbefeuchters oder anderer ähnlicher Geräte ausgesetzt ist**  
Dies kann die Lebensdauer des Produkts verkürzen, einen Stromschlag oder eine Fehlfunktion verursachen.



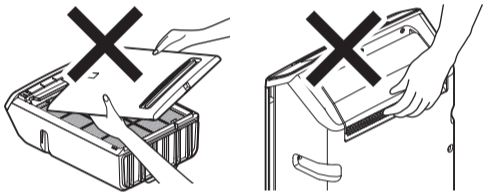
### Achtung

Eine fehlerhafte Bedienung kann zu Personen- oder Sachschäden führen.



Verboten

- **Wenn Sie das Produkt bewegen, halten Sie es am Griff**  
Wenn Sie es beim Anheben an den Klappen der Frontabdeckung oder des Luftauslasses festhalten, kann es herunterfallen und durch den Sturz Möbel beschädigen und Personen verletzen.



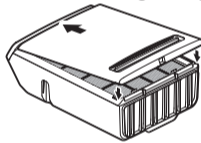
Verboten

- **Setzen Sie sich nicht auf das Produkt und lehnen Sie sich nicht dagegen**
- **Nicht in unmittelbarer Nähe von Kindern verwenden**
- **Lassen Sie Kinder nicht mit diesem Produkt spielen**  
Wenn es umfällt kann es zu Verletzungen kommen.
- **Das Produkt kann nur in Innenräumen verwendet werden**



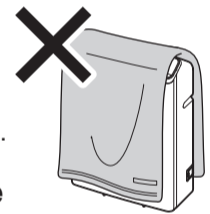
Achten Sie darauf

- **Schließen Sie die Frontblende sorgfältig**  
Andernfalls kann die Blende herunterfallen und durch den Sturz Möbel beschädigen und Personen verletzen.



Verboten

- **Blockieren Sie nicht den Lufteinlass oder Luftauslass**  
Andernfalls kann es durch Überhitzung zu Verformungen, Ausfällen oder einem Brand kommen.
- **Bitte stecken Sie keine Finger oder metallische Materialien in den Lufteinlass oder Luftauslass**  
Andernfalls kann es zu einem Stromschlag oder Ausfällen kommen.



Verboten

- **Betreiben Sie das Produkt nicht, wenn Sie begasende Insektizide (Rauch oder Nebel) verwenden**  
Medizinische Substanzen können sich im Inneren des Luftreinigers ablagern. Beim anschließenden Betrieb können sie in die Luft abgegeben werden und Ihrer Gesundheit Schaden zufügen. Wenn Sie Insektizide verwendet haben, benutzen Sie das Produkt erst nachdem Sie für ausreichende Belüftung gesorgt haben.



Não fazer fogo

- **Halten Sie das Produkt vom Feuer oder der Heizung fern**  
Dies kann einen Brand verursachen. Außerdem kann der Wind vom Luftreiniger die Flamme des Heizgeräts auflodern lassen und einen Brand verursachen.
- **Halten Sie es von Quellen fern, die Verbrennungen oder Flammen verursachen könnten, wie etwa Zigaretten, Räucherkerzen usw**  
Dies kann einen Brand verursachen.



Trennen Sie das Produkt vom Stromnetz

- **Halten Sie den Netzstecker fest, wenn Sie ihn aus der Steckdose ziehen**  
Andernfalls könnte das Ladekabel beschädigt werden und einen Brand oder Stromschlag verursachen.
- **Ziehen Sie den Netzstecker aus der Steckdose, wenn das Produkt für längere Zeit nicht benutzt wird**  
Andernfalls kann es zu einem Brand oder einem Stromschlag kommen, weil die Isolierung beeinträchtigt wird.



Achten Sie darauf

- **Dieses Gerät kann von Kindern ab 8 Jahren und Personen mit eingeschränkten physischen, sensorischen oder geistigen Fähigkeiten oder mangelnder Erfahrung und Wissen verwendet werden, wenn sie beaufsichtigt werden oder im sicheren Gebrauch des Geräts unterwiesen wurden und die sich daraus ergebenden Gefahren verstehen. Kinder dürfen nicht mit dem Gerät spielen. Die Reinigung und Wartung durch den Benutzer darf nicht von unbeaufsichtigten Kinder durchgeführt werden**



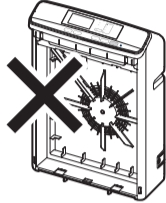
Achten Sie darauf

- **Wenn Sie Verbrennungsgeräte verwenden, sorgen Sie für ausreichende Belüftung**  
Andernfalls kann es zu einer Kohlenmonoxidvergiftung kommen.  
※ Dieses Produkt entfernt keine schädlichen Substanzen wie etwa Kohlenmonoxid.

## Vorsichtsmaßnahmen bei der Verwendung

- **Betreiben Sie das Produkt nicht ohne Filter**

Wenn Sie das Gerät ohne Filter betreiben, wird die Luft nicht gereinigt. Außerdem kann es zu Fehlfunktionen kommen.



- **Verwenden Sie keinen zerrissenen oder beschädigten Filter**

Dies kann zu Fehlfunktionen oder Leistungseinbußen führen.

- **Bringen Sie den entsprechenden Filter richtig am Produkt an**

- **Verwenden Sie das Produkt nicht als Ventilator**

- **Verwenden Sie das Produkt nicht in der Nähe von Ölprodukten wie etwa Speiseöl**

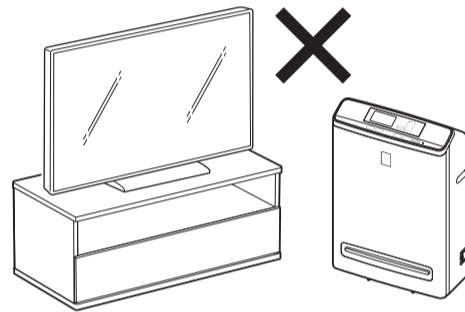
Dies kann die Lebensdauer des Filters verkürzen oder eine Fehlfunktion verursachen.

- **Bitte halten Sie das Produkt von Radio- oder Fernsehgeräten fern.**

Die elektromagnetischen Störungen können den normalen Betrieb von Radio- und Fernsehgeräten beeinträchtigen.

- **Beim Drücken der Taste ertönt der Signalton.**

Beim Beenden des Vorgangs werden Signaltöne ausgegeben, bei anderen Vorgängen Bip-Töne.



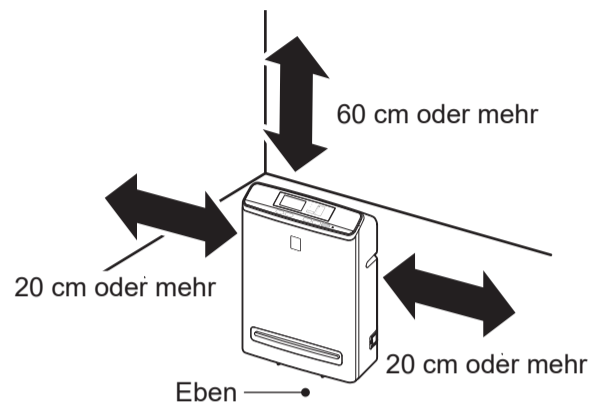
### Entsorgungshinweise

- **Bitte entsorgen Sie das Produkt und das Verpackungsmaterial gemäß den örtlichen Vorschriften.**

## Aufstellung

### ■ Halten Sie Abstand zu Haushaltsmöbeln und anderen Geräten

- Vermeiden Sie Orte in der Nähe von Klimaanlage oder Heizungen und stellen Sie das Gerät an gut belüfteten Orten auf.
- Stellen Sie das Gerät mindestens 20 cm von Wänden oder Möbeln und mindestens 60 cm von der Decke entfernt auf.



### ■ Stellen Sie das Gerät auf eine ebene und stabile Fläche

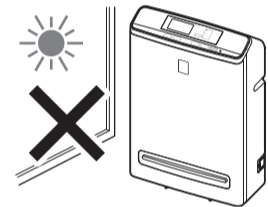
- Verwenden Sie es nicht auf instabilem Untergrund.
- Kippen oder neigen Sie das Gerät nicht.  
Es könnte Sie verletzen oder aufgrund des Sturzes zu Fehlfunktionen kommen.

### ■ Vorsichtsmaßnahmen

- Die empfohlene Innentemperatur beträgt 0~35°C.
- Verwenden Sie das Produkt nicht in einer Umgebung, in der extreme Temperaturunterschiede herrschen und Feuchtigkeitskondensation auftreten kann.
- Stellen Sie Pflanzen an Orte, an denen sie dem Wind vom Luftauslass nicht ausgesetzt sind.

- Die das Produkt umgebenden Wände könnten verschmutzt werden. Reinigen Sie die Wände, wenn das Gerät über einen längeren Zeitraum verwendet wird.

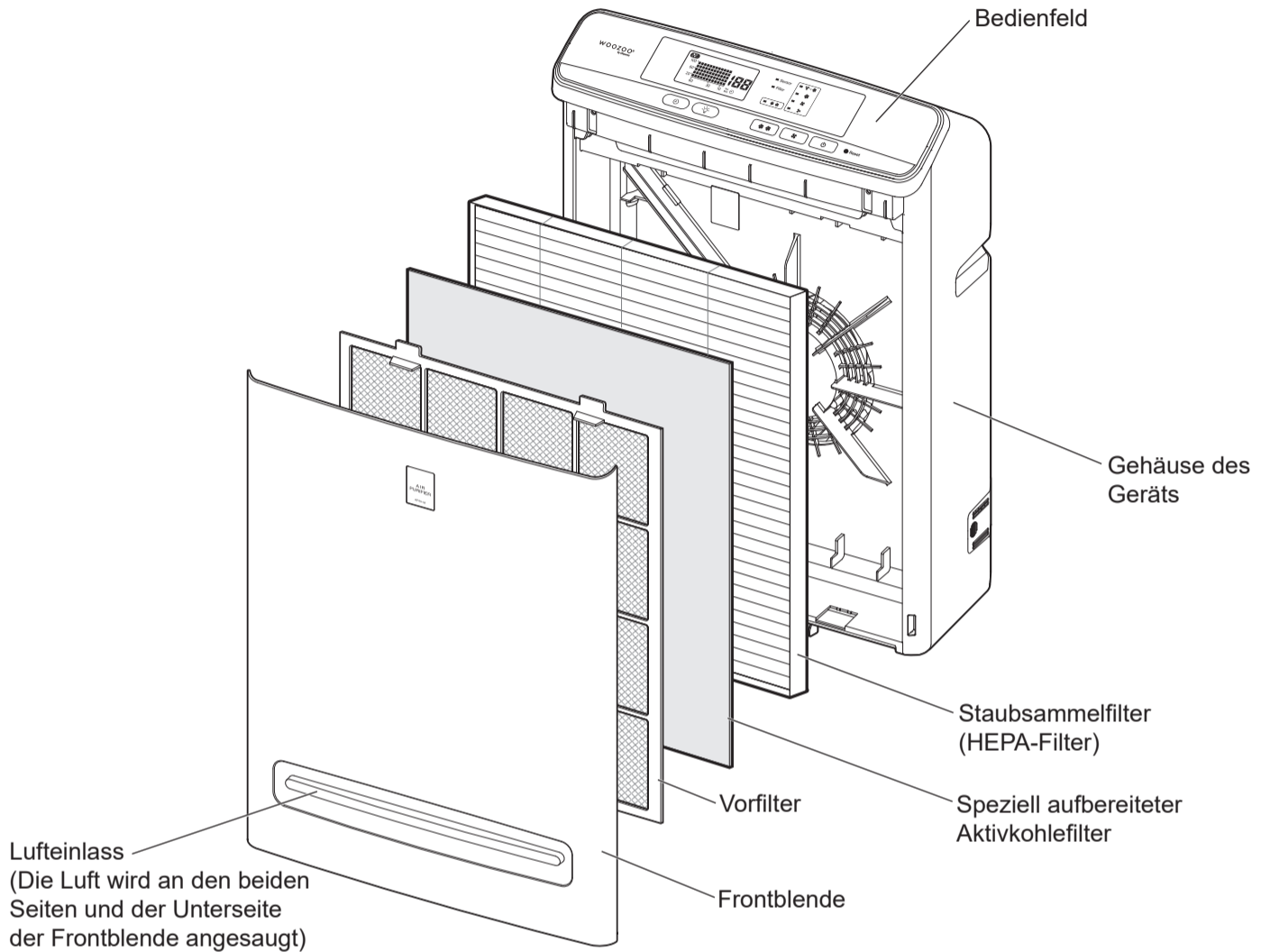
- Verwenden Sie das Produkt nicht an Orten, an denen es direkter Sonneneinstrahlung ausgesetzt ist. Andernfalls kann es zu Fehlfunktionen oder Verfärbungen kommen.



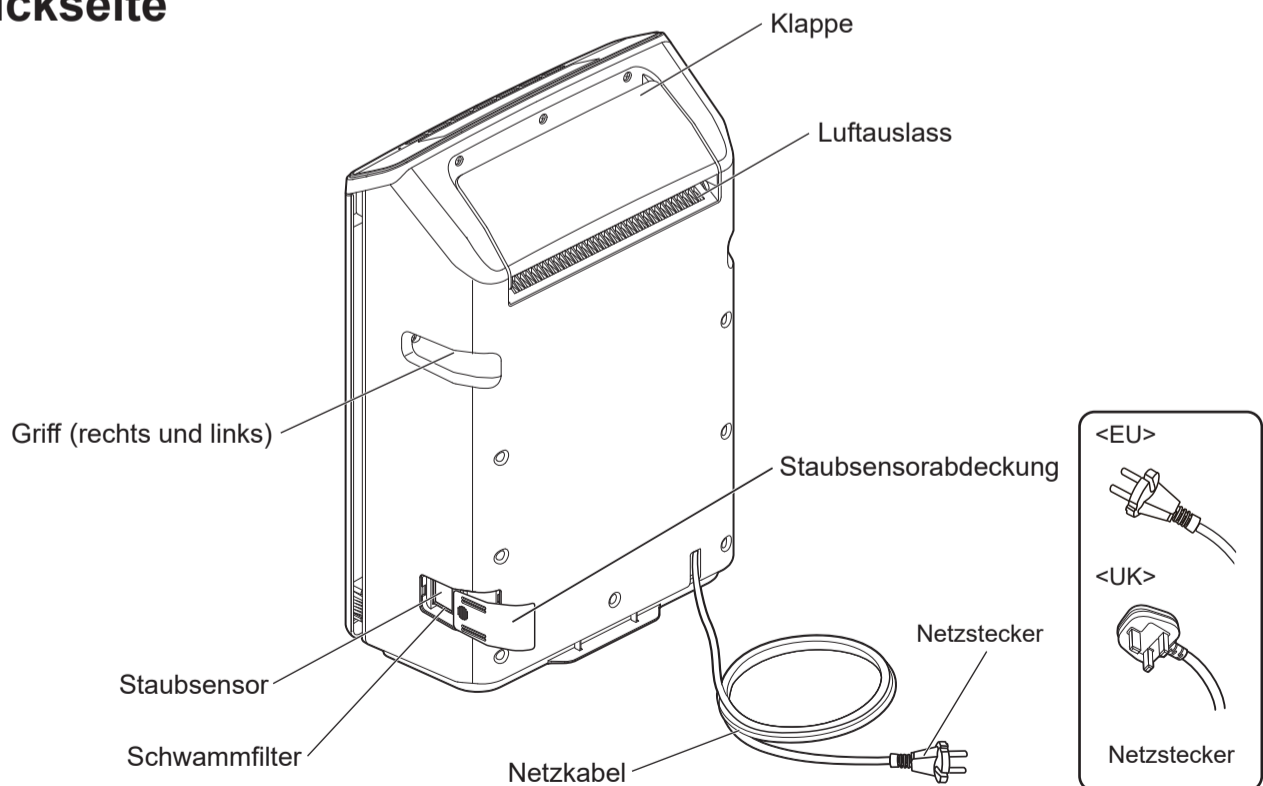


# Teile

## ■ Vorderseite



## ■ Rückseite

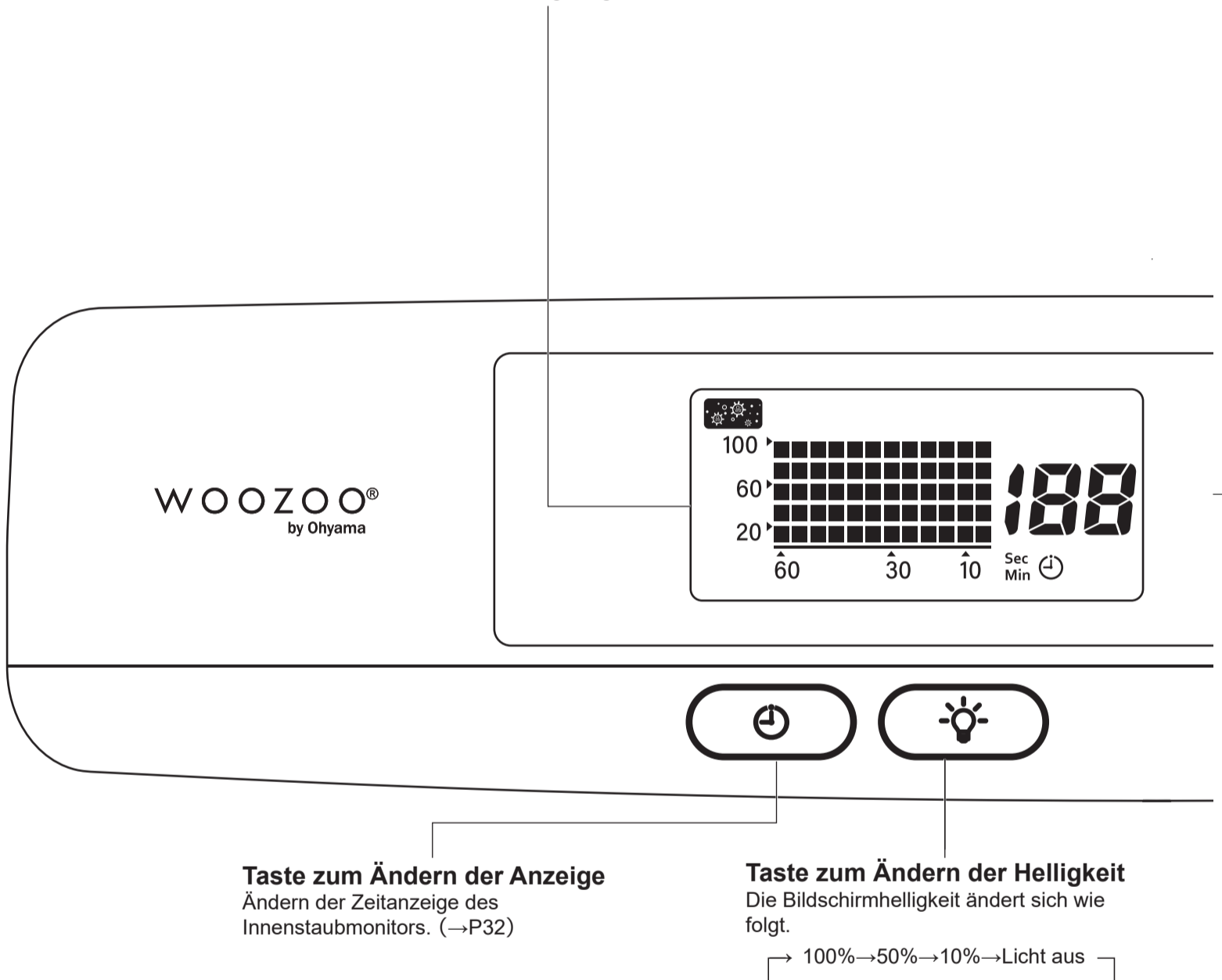


# Teile Weiter

## Bedienfeld

### Innenstaubmonitor

Der Sensor misst den Staubgehalt in Innenräumen und der Wert wird angezeigt. (→P32)



**Taste zum Ändern der Anzeige**  
Ändern der Zeitanzeige des Innenstaubmonitors. (→P32)

**Taste zum Ändern der Helligkeit**  
Die Bildschirmhelligkeit ändert sich wie folgt.

→ 100%→50%→10%→Licht aus

### Sensoranzeige reinigen

Wenn die Anzeige leuchtet, ist es an der Zeit, den Sensor zu reinigen. (→P34)

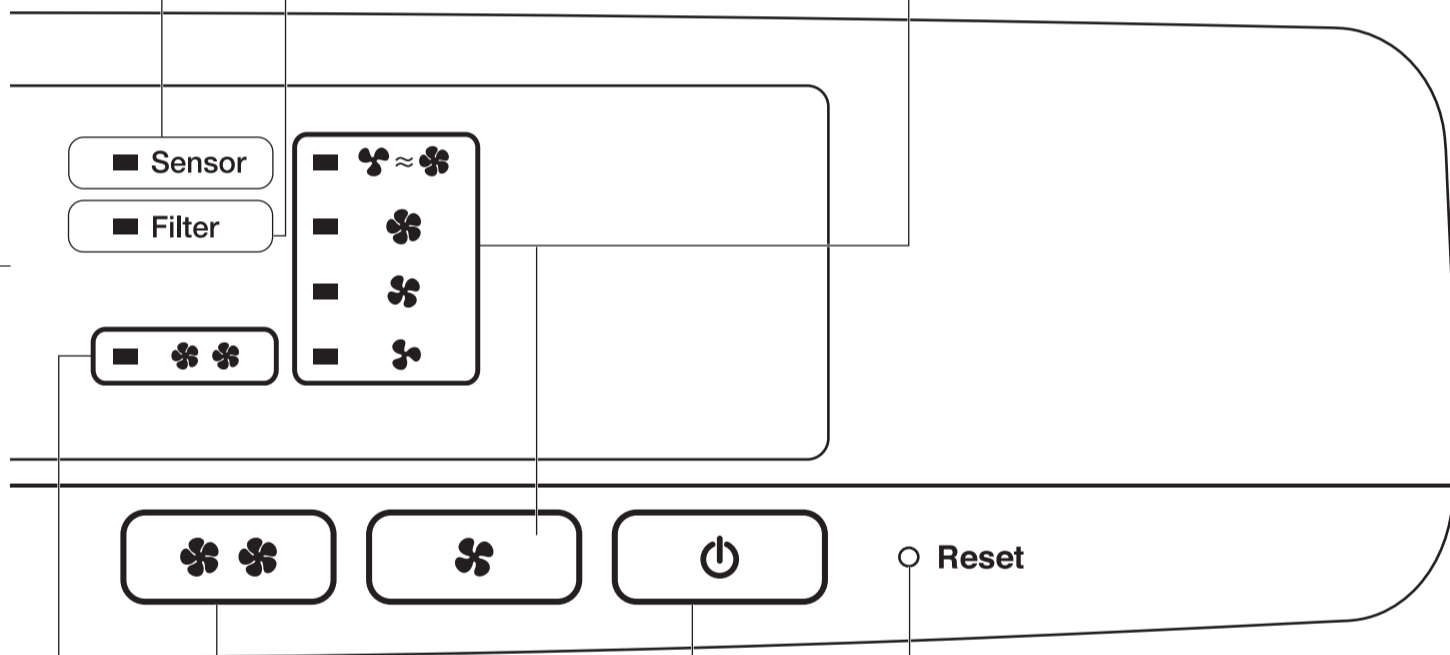
### Betriebsmodustaste/-lampe

Jedes Mal, wenn die Taste gedrückt wird, ändert sich der Betriebsmodus wie unten beschrieben. (→P30)

Leise → Normal → Stark → Automatikbetrieb

### Filterwechselanzeige

Wenn die Anzeige leuchtet, ist es an der Zeit, den Filter zu wechseln. (→P34)



### Turbo-Taste/Lampe

Drücken Sie die Taste, um die Lampe einzuschalten und den Turbo-Betrieb des AP45-M für ca. 10 Minuten einzuschalten. (→P30)

### Reset-Taste

Drücken Sie nach dem Filterwechsel oder der Sensorreinigung die Taste auf der Rückseite der Öffnung und schalten Sie die Anzeigen für Filterwechsel und Sensorreinigung aus. (→P34)

### Taste Betrieb AUS/EIN

Drücken Sie die Taste, um den Strom einzuschalten und den Betrieb mit der gleichen Betriebsart wie vor dem Ausschalten zu starten. Drücken Sie die Taste erneut, um den Betrieb zu beenden und das Gerät auszuschalten. (→P30)

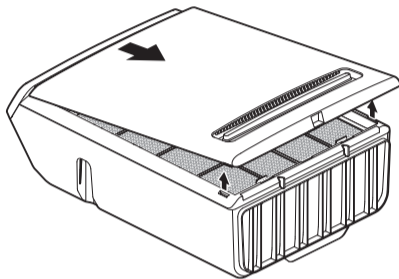
## Vorbereitungen vor Gebrauch

### So installieren Sie die Filter

Achten Sie darauf, den Filter zu installieren bevor Sie den Stecker in die Steckdose stecken.

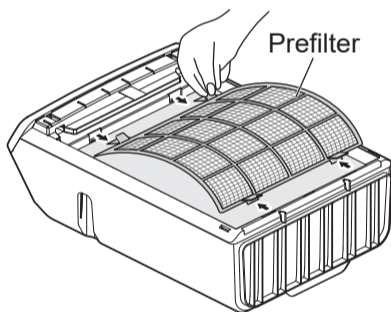
#### 1 Drehen Sie das Produkt auf die Seite, um die Frontblende zu entfernen

- Um die Frontblende zu entfernen heben Sie die beiden Seiten des unteren Teils der Frontblende an.



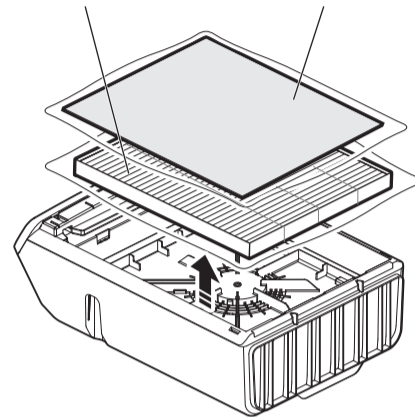
#### 2 Entfernen des Vorfilters

- Ziehen Sie zum Entfernen an den Krallen (zwei Teile) in der Oberseite.
- Ziehen Sie dann zum Entfernen an den Krallen (zwei Teile) in der Unterseite.



#### 3 Nehmen Sie den Aktivkohlefilter und den Staubsammelfilter aus dem Plastikbeutel

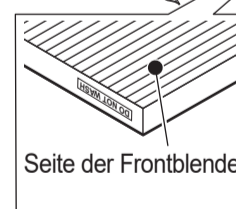
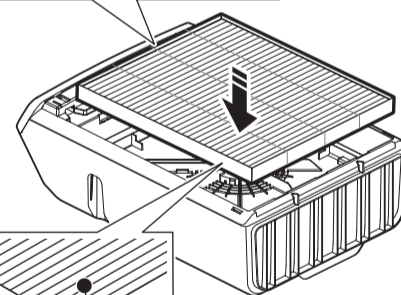
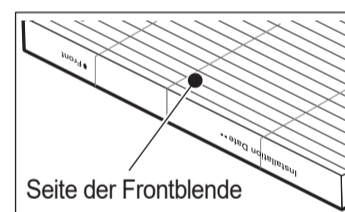
Staubsammelfilter Aktivkohlefilter



- Die Filter befinden sich im Plastikbeutel, um ihre Qualität zu bewahren. Nehmen Sie sie vor Gebrauch aus dem Beutel.

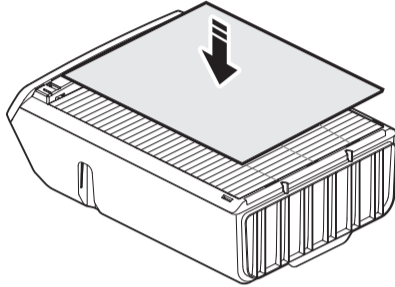
#### 4 Installieren Sie den Staubsammelfilter

- Die Pfeilrichtung des Filters muss mit der Frontblendenseite übereinstimmen.
- ※ Andernfalls funktioniert die Staubsammelfunktion möglicherweise nicht richtig.
- Tragen Sie das Verwendungsdatum (das Datum, an dem Sie den Beutel geöffnet haben) mit einem Filzstift ein.



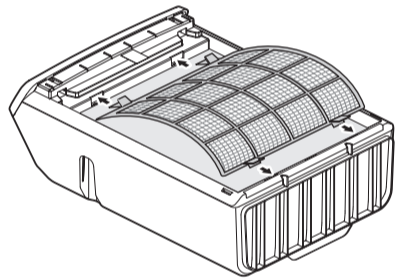
## 5 Installieren Sie den Aktivkohlefilter

- Es gibt zwischen den beiden Seiten keinen Unterschied.
- Tragen Sie das Verwendungsdatum (das Datum, an dem Sie den Beutel geöffnet haben) mit einem Filzstift ein.



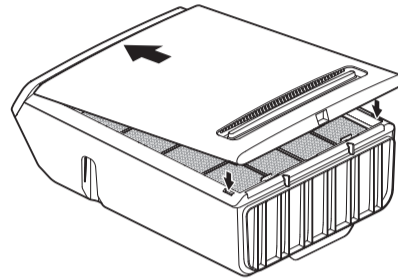
## 6 Installieren Sie den Vorfilter

- Setzen Sie die Krallen (zwei Teile) an der Unterseite in die Öffnung des Gerätegehäuses ein.
- Setzen Sie dann die Krallen (zwei Teile) an der Oberseite in die Öffnung des Gerätegehäuses ein.



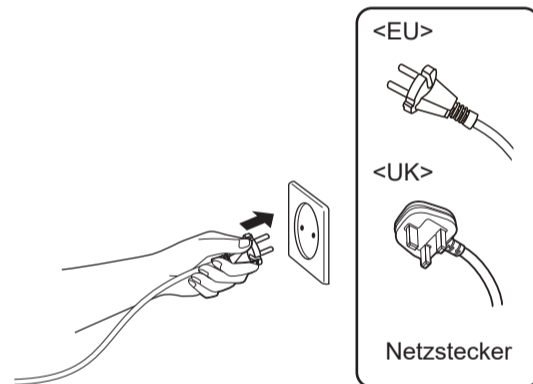
## 7 Installieren der Frontblende

- Hängen Sie den Aufhänger an der Oberseite der Frontblende in den Haken an der Oberseite des Gehäuses ein und stecken Sie die Krallen an der Unterseite in die Gehäuseöffnung.



## Stecker in die Steckdose stecken

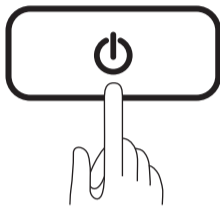
- Stellen Sie das Produkt auf eine ebene und stabile Oberfläche und stecken Sie den Stecker in die Steckdose.



# Betriebsanleitung

## 1 Drücken Sie die Taste Betrieb AUS/EIN

- Das Gerät beginnt in dem vor der Abschaltung eingestellten Modus zu laufen.
- Nach dem Ausstecken des Stromkabels oder einem Stromausfall schalten Sie die Stromversorgung ein, um das Gerät im Automatik-Betriebsmodus zu starten.

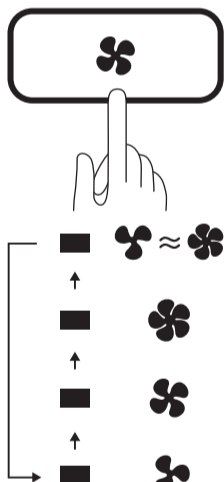


**Achtung**

- Da der Sensor eine hohe Empfindlichkeit hat, kann es vorkommen, dass der Sensor ohne sichtbaren Nebel reagiert, wenn in der Nähe ein Ultraschallbefeuchter oder ein Zerstäuber verwendet wird.

## 2 Wählen des Betriebsmodus

- Drücken Sie die Taste (Betriebsmodus) , um den Modus zu ändern.



**Automatikbetrieb**

Wenn Sie die Option (Automatikbetrieb) wählen, wird die Luftstrommenge abhängig von der vom Sensor erkannten Dichte automatisch geändert.

**Leise** , **Normal** , **Stark**

Bei Auswahl von (leise, normal, stark) wird der Dauerbetrieb unabhängig vom Sensor ausgeführt.

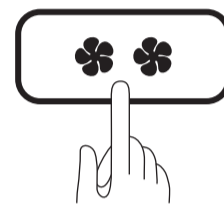
## Turbo-Modus

Wenn die Raumluft verschmutzt war, reinigt der Luftreiniger die verschmutzte Luft für kurze Zeit im Modus Stark.

- Drücken Sie die Taste (Turbo) , um den Turbobetrieb auszuführen. Die Lampe (Turbo) leuchtet auf.



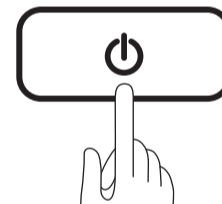
Beleuchtung



- Der Turbobetrieb wird etwa 10 Minuten lang ausgeführt.
  - Um den Turbobetrieb zu beenden, drücken Sie die Taste (Turbo) oder die Taste (Betriebsmodus) .
  - Das Gerät beginnt in dem vor dem Turbobetrieb eingestellten Modus zu laufen.
- ※ Es wird empfohlen, die Klappe des Luftauslasses während des Turbobetriebs zu öffnen.

## So stoppen Sie den Betrieb

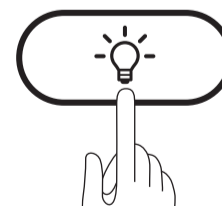
- Wenn Sie während des Betriebs die Taste (Betrieb AUS/EIN) drücken, wird der Betrieb mit Pieptönen beendet.



## Die Helligkeit ändern

- Drücken Sie die Taste (Helligkeit ändern) , um die Helligkeit der Hintergrundbeleuchtung zu ändern. Jedes Mal, wenn die Taste gedrückt wird, ändert sich die Helligkeit der Hintergrundbeleuchtung wie unten beschrieben.

100% → 50% → 10% → Licht aus



- ※ Beenden Sie den Vorgang, um die Hintergrundbeleuchtung auszuschalten.

## ■ Einstellen der Sensorempfindlichkeit

Einstellen der Sensorempfindlichkeit. Verwenden Sie diese Funktion, wenn das Licht des Staubmonitorbildschirms rot bleibt oder das rote Licht hin und wieder aufleuchtet. Führen Sie dies unbedingt nach dem Ausschalten der Stromversorgung durch.

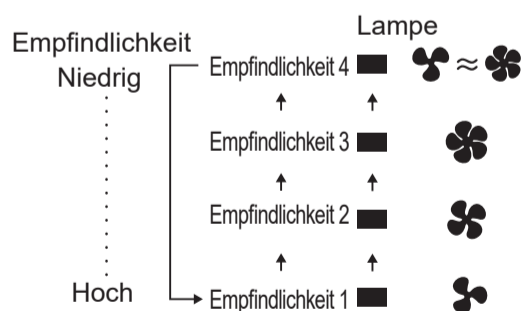
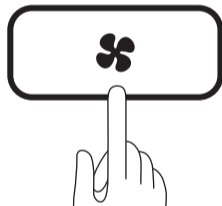
### 1 Halten Sie die Turbo-Taste gedrückt

- So stellen Sie die Bip-Töne und den Empfindlichkeitsmodus ein.



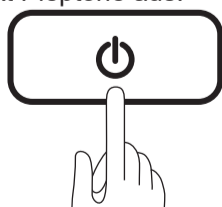
### 2 Drücken Sie die Taste Betriebsmodus, um die von Ihnen gewünschte Empfindlichkeit zu ändern

- Jedes Mal, wenn die Taste gedrückt wird, gibt das Produkt Bip-Töne aus, wobei sich die Empfindlichkeit wie unten gezeigt ändert.
- Führen Sie die Einstellung innerhalb von 10 Sekunden durch. Nach 10 Sekunden gibt das Produkt einen Pieptöne aus und die Einstellung wird automatisch beendet.
- Die Werkseinstellung ist auf Empfindlichkeit 1 gesetzt.



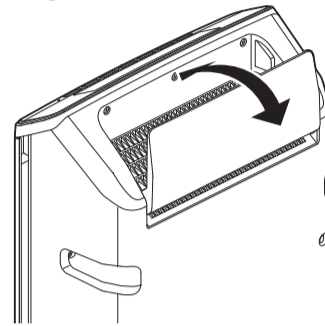
### 3 Drücken Sie die Taste Betrieb AUS/EIN

- Um die eingestellte Empfindlichkeit zu bestätigen, gibt das Produkt Pieptöne aus.

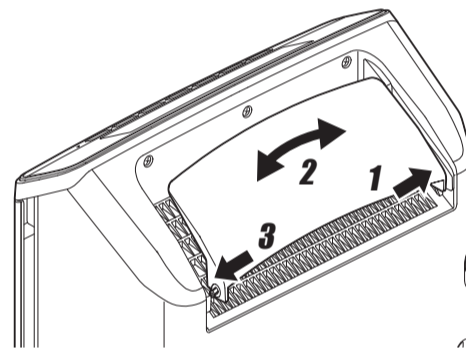


## ■ Einstellen der Luftstromrichtung

Mit der Klappe des Luftauslasses lässt sich die Luftstromrichtung einstellen.



Zu Ihrer Sicherheit ist die Klappe so konstruiert, dass sie leicht entfernt werden kann. Wenn sie entfernt wurde, installieren Sie sie wie folgt (achten Sie auf die Richtung).

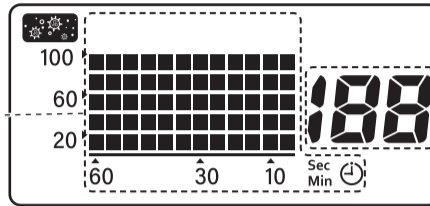


1. Stecken Sie den linken (dickeren) Seitenschaft in die Öffnung
2. Biegen
3. Setzen Sie den rechten Seitenschaft in die Öffnung

# Innenstaubmonitor


Der vom Sensor gemessene Innenraumstaubwert wird angezeigt.

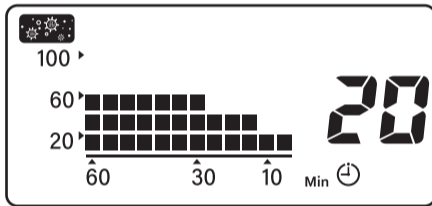
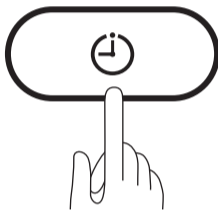
Es wird die Änderung der Staubdichte für die letzten 60 Minuten oder 60 Sekunden angezeigt. Neue Werte werden alle 5 Minuten oder 5 Sekunden auf der rechten Seite der Grafik angezeigt.



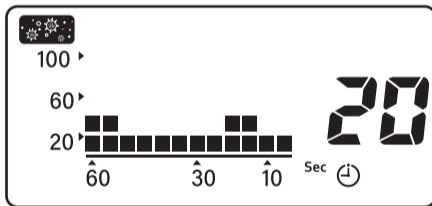
Die aktuelle Luftstaubdichte wird von 0 bis 100 angezeigt.

## ■ Zeitanzeige

- Drücken Sie die Taste (Zeitanzeige Minuten/ Sekunden ändern) , um die Zeitanzeige wie in der Grafik in Minuten und Sekunden zu ändern.



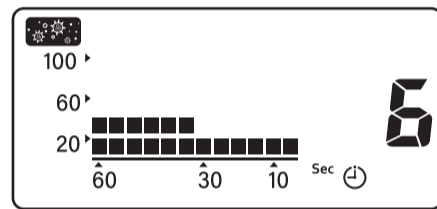
↓ ↑ Nach Minuten



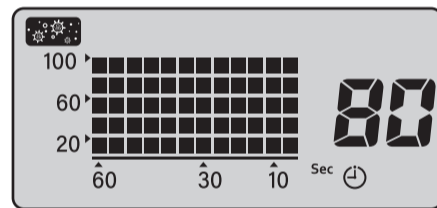
Nach Sekunden

## ■ Licht des Staubmonitorbildschirms

- Der vom Sensor gemessene Verschmutzungsgrad der Luft wird auf dem Bildschirm des Staubmonitors in der Farbe der Hintergrundbeleuchtung angezeigt.



Farbe der Hintergrundbeleuchtung : Blau



Farbe der Hintergrundbeleuchtung : Rot

Farbe der Hintergrundbeleuchtung	Grad der Luftverschmutzung
Blau	Sauber
Rot	Schmutzig

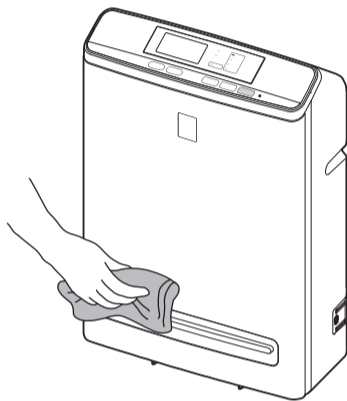


## Reinigung und Wartung

- Reinigen Sie das Gerät erst, nachdem Sie es abgeschaltet und den Netzstecker gezogen haben.
- Verwenden Sie keine Reinigungsmittel, Verdünnern, Benzine, Bleichmittel usw.

### ■ Gehäuse Einmal im Monat

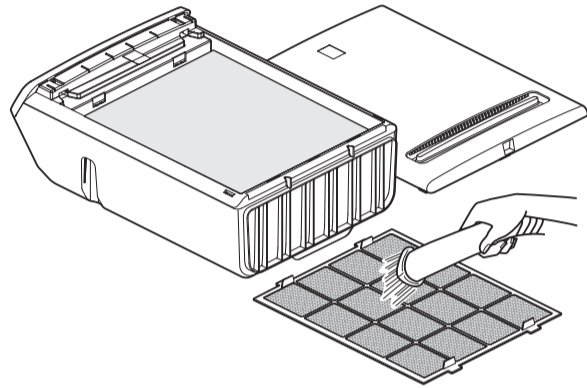
- Befeuchten Sie ein weiches Tuch mit Wasser oder lauwarmem Wasser (40°C oder darunter), wringen Sie es aus und wischen Sie den Schmutz ab.



- Gießen Sie kein Wasser über das Gerät. Dies kann zu einem Stromschlag, Verletzungen oder Fehlfunktionen führen.
- Um ein chemisch behandeltes Tuch zu verwenden, beachten Sie die Warnhinweise.

### ■ Vorfilter Einmal im Monat

- Durch Staubansammlungen im Vorfilter reduziert sich die Luftmenge. Öffnen Sie die Frontblende, um den Vorfilter zu entnehmen und entfernen Sie den Staub mit einem Staubsauger.



- **Aktivkohlefilter und Staubsammelfilter können nicht gereinigt werden.**

### Achtung

Nicht mit dem Staubsauger absaugen oder im Wasser waschen. Drücken Sie nicht gewaltsam auf den Filter und biegen Sie ihn nicht. Dadurch kann der Filter beschädigt werden. Ein gerissener Staubsammelfilter kann die Luft nicht reinigen.

※ Wenn der Vorfilter beschädigt ist, wenden Sie sich bitte an Iris Ohyama France SAS Customer Service Center.

## Reinigung und Wartung Fortsetzung

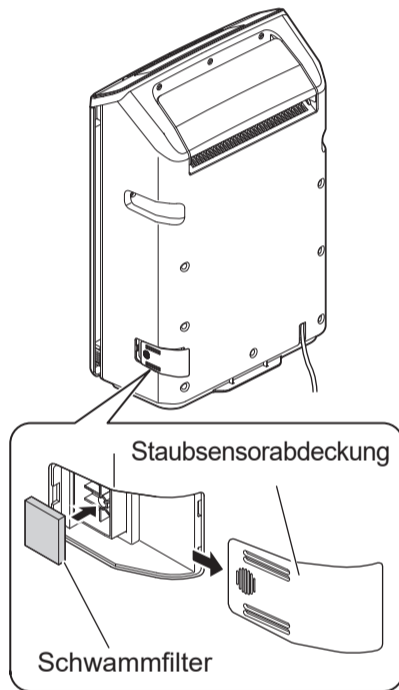
### ■ Wenn die Anzeige „Sensor reinigen“ aufleuchtet

Die Anzeige (Sensor reinigen) ■ **Sensor** leuchtet auf, um Sie darauf hinzuweisen, dass es an der Zeit ist, den Sensor zu reinigen.

Beleuchtung ■ **Sensor**

- Öffnen Sie die Abdeckung des Staubsensors an der Seite des Gehäuses und entnehmen Sie den Schwammfilter.

Waschen Sie den Schwammfilter im Spülwasser, lassen Sie ihn gründlich trocknen und setzen Sie ihn wieder an seinen ursprünglichen Platz ein.



- Drücken Sie nach dem erneuten Einsetzen des Schwammfilters die Taste (Reset) ○ **Reset** und schalten Sie die Anzeige (Sensor reinigen) ■ **Sensor** aus.

○ **Reset**

Drücken Sie in die Öffnung auf dem Bedienfeld

- Betreiben Sie das Gerät nicht ohne den Schwammfilter (der Staubsensor kann den Staubgehalt nicht richtig messen).
- ※ Die Leuchtdauer der Anzeige (Sensor reinigen) ■ **Sensor** variiert je nach Betriebshäufigkeit. Unter normalen Betriebsbedingungen leuchtet die Anzeige nach einer Betriebszeit von 1 Monat auf.

### ■ Wenn die Anzeige „Filter wechseln“ aufleuchtet

Die Anzeige (Filter wechseln) ■ **Filter** leuchtet auf, um Sie darauf hinzuweisen, dass es an der Zeit ist, den Filter zu wechseln.

Beleuchtung ■ **Filter**

- Kaufen Sie einen separat erhältlichen Filter (→P36) und wechseln Sie den Filter gemäß den Verfahren unter „Vorbereitungen vor Gebrauch“ (→P28)
- Drücken Sie nach dem Filterwechsel die Taste (Reset) ○ **Reset** und schalten Sie die Anzeige (Filter wechseln) ■ **Filter** aus.

○ **Reset**

Drücken Sie in die Öffnung auf dem Bedienfeld







- ※ Die Leuchtdauer der Anzeige (Filter wechseln) ■ **Filter** hängt von der Betriebshäufigkeit und der Dichte der verschmutzten Luft ab. Unter normalen Betriebsbedingungen leuchtet die Anzeige nach einer Betriebszeit von 2 Jahren auf.

● Wenn die Anzeige (Sensor reinigen) ■ **Sensor** und die Anzeige (Filter wechseln) ■ **Filter** gleichzeitig leuchten, drücken Sie die Reset-Taste, um die Anzeigen auszuschalten.

# Problembehandlung

Bitte lesen Sie die folgenden Schritte sorgfältig, bevor Sie das Gerät zu Reparatur senden, und bestätigen, ob die Abnormalität durch folgende Ursachen verursacht.

DE

Probleme	Mögliche Ursache	Problemlösung
Das Produkt führt den Vorgang nicht aus	<ul style="list-style-type: none"> <li>Der Netzstecker ist nicht fest in die Steckdose eingesteckt</li> </ul>	<ul style="list-style-type: none"> <li>Stecken Sie den Netzstecker fest in die Steckdose.</li> </ul>
Schwacher Luftstrom	<ul style="list-style-type: none"> <li>Der Filter befindet sich noch im Plastikbeutel</li> </ul>	<ul style="list-style-type: none"> <li>Nehmen Sie den Filter aus dem Plastikbeutel und setzen Sie ihn ordnungsgemäß ein. (→P28)</li> </ul>
Das Produkt gibt laute Geräusche von sich		
Gerüche oder Rauch können nicht entfernt werden	<ul style="list-style-type: none"> <li>Der Filter ist nicht installiert</li> </ul>	<ul style="list-style-type: none"> <li>Unabhängig von der Anzeige (Filter wechseln) <ul style="list-style-type: none"> <li>Filter wechseln Sie den Filter bitte so bald wie möglich.</li> </ul> </li> </ul>
Bevor die Anzeige (Filter wechseln) Filter aufleuchtet, können Gerüche und Rauch nicht entfernt werden	<ul style="list-style-type: none"> <li>Die Luftverschmutzung im Innenraum ist stärker als in einer normalen Innenraumumgebung</li> </ul>	
Das Produkt vibriert	<ul style="list-style-type: none"> <li>Das Produkt steht auf einer instabilen Oberfläche</li> </ul>	<ul style="list-style-type: none"> <li>Stellen Sie das Gerät auf eine ebene und stabile Fläche. (→P24)</li> </ul>
Der Bildschirm des Innenstaubmonitors ist dunkel	<ul style="list-style-type: none"> <li>Die Helligkeit der Hintergrundbeleuchtung ist auf den Wert „Licht aus“ eingestellt</li> </ul>	<ul style="list-style-type: none"> <li>Drücken Sie die Taste (Helligkeit ändern) , um die Helligkeit der Hintergrundbeleuchtung zu ändern. (→P30)</li> </ul>
Das Produkt gibt Pieptöne aus und funktioniert nicht Fehler [E 1]	<ul style="list-style-type: none"> <li>Netzfrequenz kann nicht richtig erkannt werden</li> </ul>	<ul style="list-style-type: none"> <li>Stecken Sie den Netzstecker wieder ein.</li> </ul>
Das Produkt gibt Pieptöne aus und funktioniert nicht Fehler [- -]	<ul style="list-style-type: none"> <li>Staub kann nicht richtig erkannt werden</li> </ul>	<ul style="list-style-type: none"> <li>Der Automatikbetrieb  ≈  (leise , normal , stark ) funktioniert nicht und der Turbobetrieb funktioniert. Wenden Sie sich an das Geschäft, in dem Sie das Produkt gekauft haben, oder an <a href="#">Iris Ohyama France SAS Customer Service Center</a>.</li> </ul>

## Wenn Sie das Problem noch nicht lösen

Wenden Sie sich an Verkaufsshop und [Iris Ohyama France SAS](#) Kundendienstzentrum.  
[Iris Ohyama France SAS](#) Kundendienst-E-Mail  
[CustomerService@iriseurope.fr](mailto:CustomerService@iriseurope.fr)



**Warnungen** Demontieren, reparieren oder modifizieren Sie das Produkt nicht selbst.

## Ein getrennt erhältliches Produkt

### ■ Staubsammelfilter (HEPA-Filter)

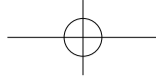
Modell Nr	AP45-HEPA
-----------	-----------

### ■ Speziell aufbereiteter Aktivkohlefilter

Modell Nr	AP45-CARB
-----------	-----------

- Bei Artikeln, die getrennt verkauft werden, wenden Sie sich bitte an das Geschäft, in dem Sie den Artikel gekauft haben, oder an das Iris Ohyama France SAS Customer Service Center.

K



FR

AP45-M

WOZZOO®  
by Ohyama

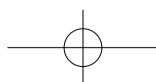
# Purificateur d'Air avec Moniteur

AP45-M

---

## Manuel d'utilisation

---



## Contenu

Spécifications .....	38
Précautions de sécurité .....	39
Précautions d'utilisation .....	41
Comment placer l'appareil .....	42
Pièces .....	43
Préparations avant utilisation .....	46
Mode d'emploi .....	48
Moniteur de poussière d'intérieur .....	50
Nettoyage et entretien .....	51
Résolution des problèmes .....	53
Accessoires vendus séparément .....	54

## Spécifications

Numéro de produit		AP45-M
Tension nominale		220-240V~
Fréquence nominale		50Hz
Consommation d'Énergie	Silencieux	3W
	Normal	17W
	Fort	59W
	Turbo <sup>※1</sup>	80W
Zone de couverture approximative		96m <sup>2</sup>
Dimensions du produit (environ)		W400×D201×H586mm
Poids de produit (environ)		5,6kg
Longueur du câble d'alimentation (environ)		2m

※<sup>1</sup> « Turbo » est le mode rapide pour purifier l'air rapidement.

※ La zone de couverture n'a pas de valeur de couverture garantie.

※ La modification éventuelle de la spécification du produit ne fait pas d'objet d'une notification à l'avance.

## Précautions de sécurité

Assurez-vous de suivre les précautions décrites ci-dessous pour éviter des blessures corporelles ou des dommages matériels à quiconque. Les précautions sont classées selon le degré de danger ou de dommage causé par une mauvaise utilisation.

### Signification des marques



Il signifie les contenus avertis.



Il signifie les contenus interdits.



Il signifie les contenus obligés à effectuer.



### Avertissements

Les précautions concernant les opérations incorrectes qui risquent d'entraîner la mort ou de graves blessures.

#### Veillez utiliser la fiche et le câble d'alimentation correctement



Assurez-vous de

- **Dépoussiérez régulièrement la fiche**  
L'accumulation de poussière peut entraîner une défaillance de l'isolation humide de l'appareil, provoquant un incendie ou un choc électrique.
- **Veillez insérer fermement la fiche dans la prise de courant**  
Le non-respect de cette consigne peut provoquer un choc électrique ou des blessures corporelles en raison d'un court-circuit dans l'appareil.



Débranchez le produit

- **Assurez-vous de débrancher l'appareil avant l'entretien, l'inspection ou le déplacement de l'appareil**  
Le non-respect de cette consigne peut provoquer un choc électrique ou même des blessures corporelles.



Évitez le contact avec les mains mouillées

- **Veillez ne pas le brancher ou le débrancher avec les mains mouillées**  
Le non-respect de cette consigne peut provoquer un choc électrique, des brûlures ou même des blessures corporelles.



Interdite

- **Veillez cesser d'utiliser cet appareil si le câble d'alimentation ou la fiche sont endommagés ou si la prise de courant est desserrée**  
Le non-respect de cette consigne peut provoquer un choc électrique ou même des blessures corporelles en raison d'un court-circuit dans l'appareil.
- **N'utilisez pas l'appareil avec le câble d'alimentation emmêlé**  
Sinon, cela pourrait surchauffer le câble, provoquer des brûlures ou même un incendie. Assurez-vous de dérouler le câble d'alimentation avant utilisation.
- **N'étirez pas le câble d'alimentation lors du déplacement ou du stockage de l'appareil**  
Sinon, cela pourrait provoquer un incendie ou même un choc électrique.
- **N'endommagez pas le câble d'alimentation**  
Veillez ne pas endommager, altérer, plier avec force, tirer, tordre ou pincer le câble d'alimentation, ou mettre du poids dessus. Sinon, cela pourrait endommager le câble d'alimentation et provoquer un incendie ou un choc électrique.
- **L'appareil ne peut fonctionner qu'à une tension comprise entre 220 et 240 V~**  
Sinon, cela pourrait provoquer un incendie ou un choc électrique.



Assurez-vous de

- **En cas de l'anomalie ou des défaillances, il faut cesser d'utiliser le produit immédiatement, éteindre le pouvoir, et débrancher la prise**  
Sinon, cela pourrait provoquer de la fumée, un incendie ou un choc électrique.  
[Exemples de l'anomalie]
  - Un bruit ou une odeur anormale
  - Une surchauffe anormale de la prise ou le cordon d'alimentation
  - Une intermittence d'électricité lors du déplacement du cordon d'alimentation
  - La machine s'arrête fréquemment au cours du fonctionnement
  - Vous pouvez sentir un coup de choc électrique en touchant la machine.
 ➔ Veillez vous désabonner et consulter le magasin dans lequel vous avez acheté le produit ou [Iris Ohyama France SAS](#) en appelant le numéro de consultation pour les questions connexes.



Ne le démontez pas

- **Il est interdit de démonter, réparer ou modifier cet appareil**  
Le non-respect de cette consigne peut provoquer un incendie, un choc électrique ou même des blessures corporelles. Cet appareil ne peut être réparé que par du personnel qualifié.  
Veillez vérifier auprès du magasin où vous avez acheté le produit ou auprès d'[Iris Ohyama France SAS](#) en appelant le numéro de consultation pour les questions liées à la réparation de cet appareil.



Évitez de mouiller le produit

- **N'utilisez pas cet appareil à proximité de sources d'eau, de salles de bains ou d'autres endroits humides similaires**
- **Veillez ne pas immerger l'appareil dans l'eau ou verser de l'eau dessus**  
Sinon, cela pourrait provoquer un incendie ou même un choc électrique.



Assurez-vous de

- **Si le câble d'alimentation est endommagé, il doit être remplacé par le fabricant, son agent de service ou du personnel qualifié afin d'éviter tout danger**

## Précautions de sécurité Continuation



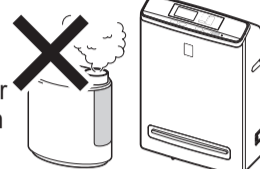
Interdite

- **Veillez ne pas vaporiser l'appareil avec des produits (tels que des insecticides, des pansements ou de la graisse)**
- **Tenez le produit à l'écart des substances inflammables telles que (kérosène, solvants pour essence et diluants à peinture, etc.)**
- **N'utilisez pas cet appareil à proximité d'endroits enfumés**  
Sinon, cela pourrait provoquer un incendie.



Interdite

- **Veillez ne pas utiliser cet appareil dans des endroits exposés à l'action directe des vapeurs d'un humidificateur ou d'autres appareils similaires**  
Sinon, cela pourrait raccourcir la durée de vie du produit, provoquer un choc électrique ou un dysfonctionnement.



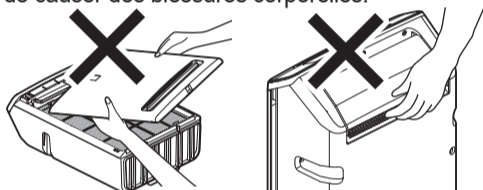
### Précaution

Une mauvaise utilisation de ce produit peut entraîner des blessures corporelles ou endommager l'appareil.



Interdite

- **Lors du transport de l'appareil, veuillez le tenir par la poignée**  
Si vous saisissez les volets du panneau avant ou de la sortie d'air pour soulever l'appareil, l'appareil risque de tomber, d'endommager les meubles ou de causer des blessures corporelles.



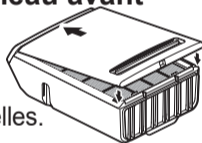
Interdite

- **Ne vous asseyez pas sur et ne vous appuyez pas contre le produit**
- **Ne l'utilisez pas près des enfants**
- **Ne laissez pas les enfants jouer avec le produit**  
Le non-respect de cette consigne peut entraîner des blessures corporelles en raison de la chute de l'appareil.
- **Cet appareil a été conçu uniquement et exclusivement pour une utilisation en intérieur**



Assurez-vous de

- **Veillez fermer le panneau avant en toute sécurité**  
Sinon, il pourrait tomber, endommager les meubles ou causer des blessures corporelles.



Interdite

- **Veillez ne pas bloquer les entrées ou sorties d'air**  
Sinon, cela pourrait provoquer une déformation, une panne ou un incendie en raison d'une surchauffe dans l'appareil.
- **Veillez ne pas mettre vos doigts ou tout autre matériau métallique dans les entrées et sorties d'air**  
Le non-respect de cette consigne peut entraîner un choc électrique ou une panne de l'appareil.



Interdite

- **N'utilisez pas cet appareil lorsque vous utilisez des insecticides à pulvériser (fumée ou brouillard)**  
Des substances médicinales peuvent s'accumuler à l'intérieur du purificateur d'air. Lors d'opérations ultérieures, ils peuvent inonder l'air et nuire à votre santé.  
Après avoir utilisé des insecticides, veuillez utiliser cet appareil après avoir fourni une ventilation suffisante.



Interdit le feu

- **Tenez l'appareil à l'écart du feu ou des appareils de chauffage**  
Sinon, cela pourrait provoquer un incendie. De plus, le vent du purificateur d'air peut agrandir la flamme du radiateur et provoquer un incendie.
- **Tenez-le à l'écart de sources pouvant provoquer des brûlures ou des flammes, telles que des cigarettes, de l'encens, etc.**  
Sinon, cela pourrait provoquer un incendie.



Débranchez le produit

- **Tenez fermement la fiche d'alimentation pour le débrancher**  
Sinon, cela pourrait endommager le câble d'alimentation et provoquer un incendie ou un choc électrique.
- **Veillez débrancher l'appareil lorsque vous ne l'utilisez pas pendant une longue période**  
Sinon, cela pourrait provoquer un incendie ou un choc électrique en raison d'une défaillance de l'isolation.



Assurez-vous de

- **Cet appareil peut être utilisé par des enfants âgés de 8 ans et plus, et par des personnes ayant des capacités physiques, sensorielles ou mentales réduites ou bien manquant d'expérience et de connaissances, s'ils sont surveillés ou ont reçu des instructions relatives à l'utilisation de l'appareil d'une manière sûre et s'ils comprennent les dangers impliqués**



Assurez-vous de

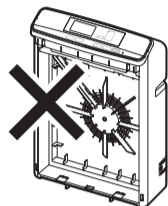
- **Fournissez une ventilation lorsqu'il est utilisé avec des appareils à combustion interne**  
Sinon, cela pourrait entraîner une intoxication au monoxyde de carbone.  
※ Cet appareil n'élimine pas les substances nocives telles que le monoxyde de carbone.



## Précautions d'utilisation

- **Veillez ne pas utiliser cet appareil sans son filtre**

L'utilisation de l'appareil sans filtre ne pourra pas purifier l'air. Cela pourrait également provoquer un dysfonctionnement.



- **Veillez ne pas utiliser un filtre déchiré ou endommagé**

Dans le cas contraire, cela peut entraîner un dysfonctionnement de l'appareil ou une dégradation de ses performances.

- **Veillez installer correctement le filtre spécifique sur le produit**

- **N'utilisez pas l'appareil comme ventilateur**

- **Veillez ne pas utiliser l'appareil à proximité de produits à base d'huile tels que des huiles végétales ou animales**

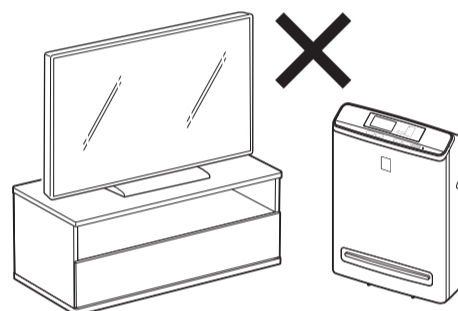
Le non-respect de cette consigne peut raccourcir la durée de vie du filtre ou entraîner un dysfonctionnement de l'appareil.

- **Veillez tenir l'appareil éloigné des radios ou des téléviseurs.**

Les interférences électromagnétiques peuvent affecter le fonctionnement normal de ces appareils.

- **En appuyant sur le bouton, le buzzer retentira.**

Si vous éteignez l'appareil, il émettra un bip. D'autres opérations entraîneront également un bip de l'appareil.



### Traitement des déchets

- **Veillez jeter l'appareil et les matériaux d'emballage conformément aux règles et réglementations locales.**

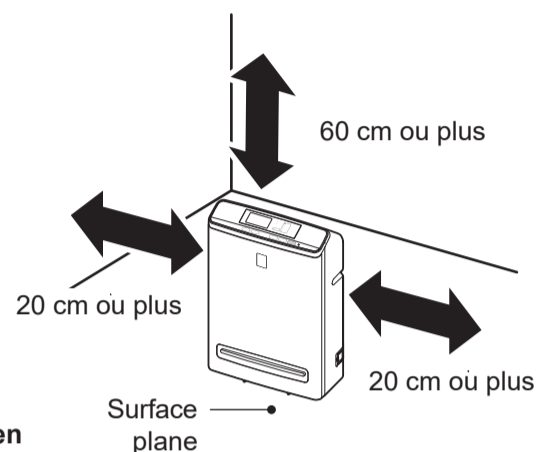
## Comment placer l'appareil

### ■ Veuillez tenir l'appareil à l'écart des meubles ou d'autres équipements

- Évitez les endroits à proximité de climatiseurs ou de radiateurs. Placez l'appareil dans un endroit bien aéré.
- Placez l'appareil à au moins 20 cm des murs ou des meubles et à au moins 60 cm du plafond.

### ■ Veuillez placer l'appareil sur une surface plane et ferme

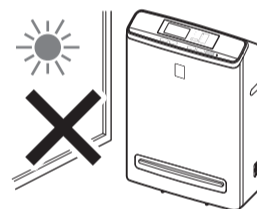
- Ne l'utilisez pas sur une surface instable.
- Ne tournez pas et n'inclinez pas l'appareil.  
Le non-respect de cette consigne peut entraîner des blessures corporelles ou provoquer un dysfonctionnement de l'appareil en cas de chute de l'appareil.



### ■ Précautions

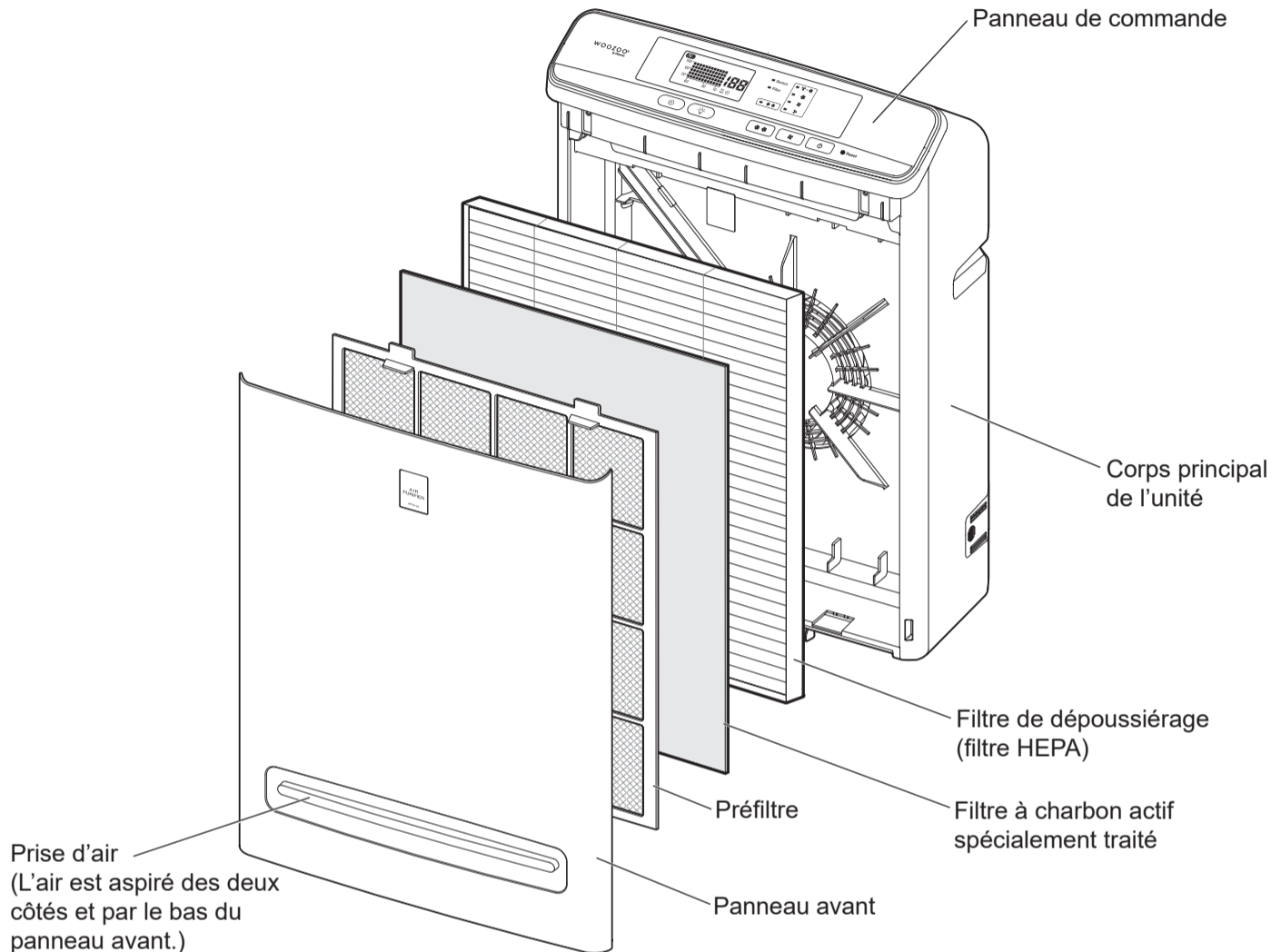
- La plage de température intérieure recommandée est de 0 à 35°C.
- Veuillez ne pas utiliser cet appareil dans un environnement où la différence de température est excessive, car sinon de l'humidité peut se produire en raison de la condensation.
- Placez les plantes dans des endroits où elles ne seront pas exposées à l'action directe du flux d'air.

- Les parois autour de l'appareil peuvent être contaminées. Veuillez nettoyer les murs si vous prévoyez d'utiliser l'appareil pendant une longue période.
- N'utilisez pas ce produit dans des endroits où il est exposé à la lumière directe du soleil. Le non-respect de cette consigne peut entraîner un dysfonctionnement ou une décoloration de l'appareil.

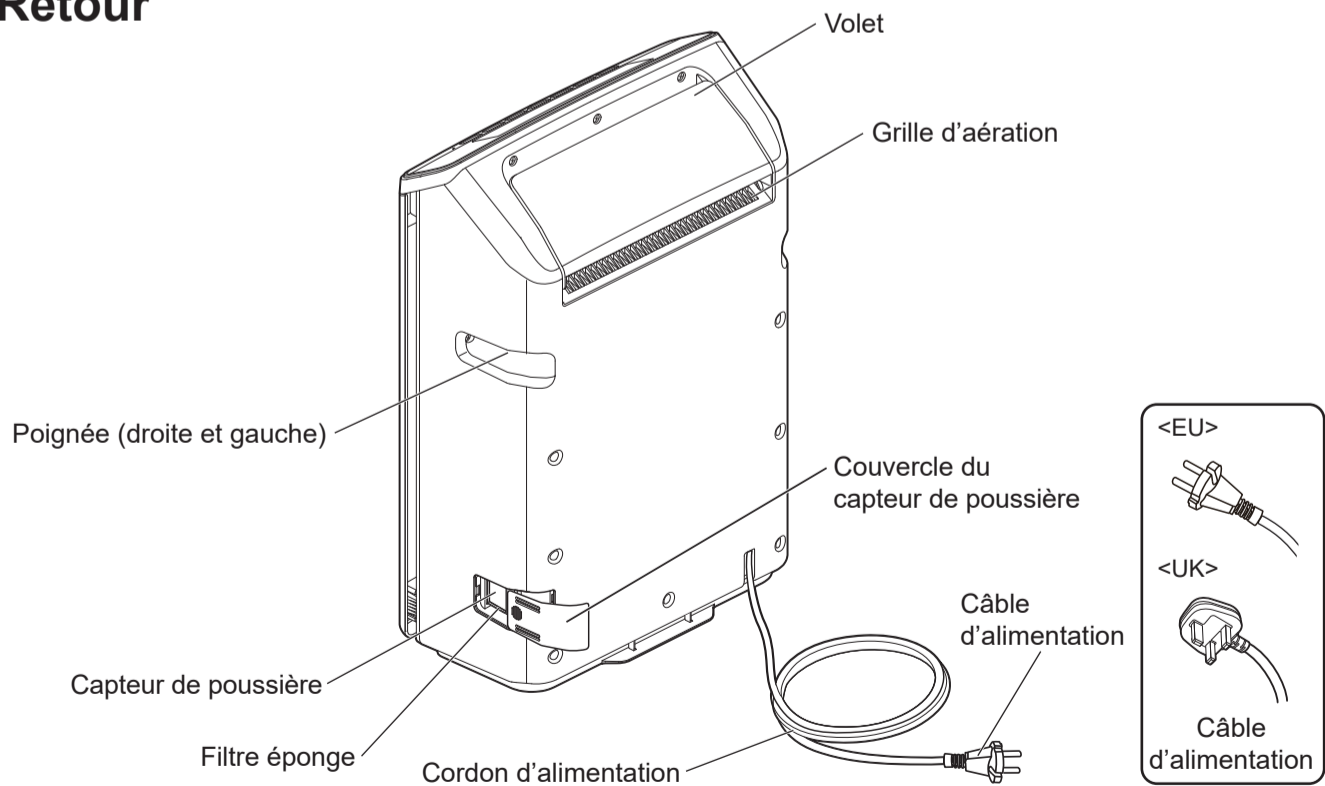


# Pièces

## Devan



## Retour

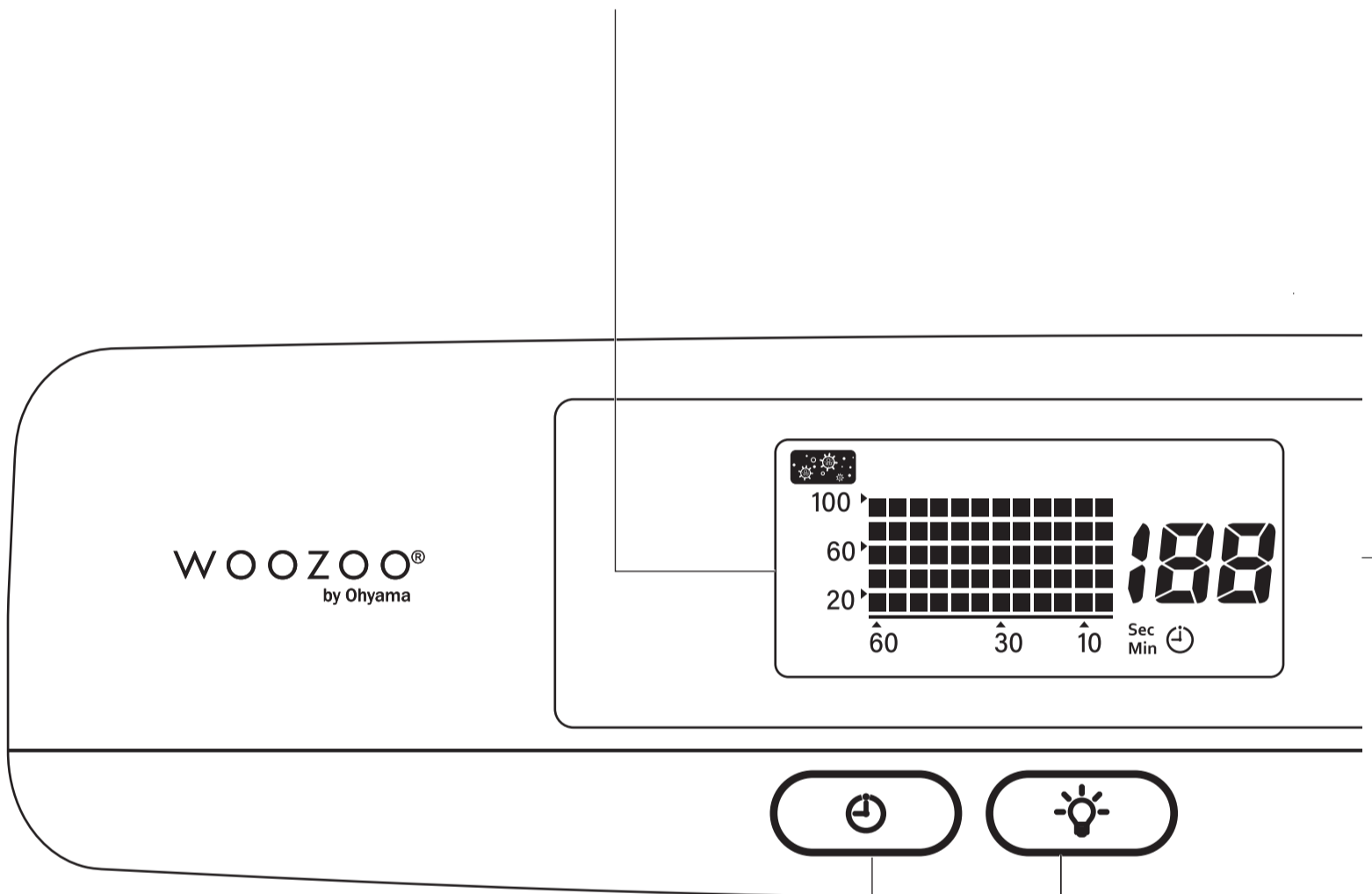


## Pièces Continuation

### ■ Panneau de commande

#### Moniteur de poussière d'intérieur

Le capteur mesure le niveau de poussière à l'intérieur et l'affiche. (→P50)



#### Bouton de changement d'affichage

Modifie l'indicateur de temps du moniteur de poussière d'intérieur. (→P50)

#### Bouton de changement de luminosité

La luminosité de l'écran change comme indiqué ci-dessous.

→ 100%→50%→10%→Éteint

### Indicateur de nettoyage du capteur

Si l'indicateur est allumé, cela indique que le capteur doit être nettoyé. (→P52)

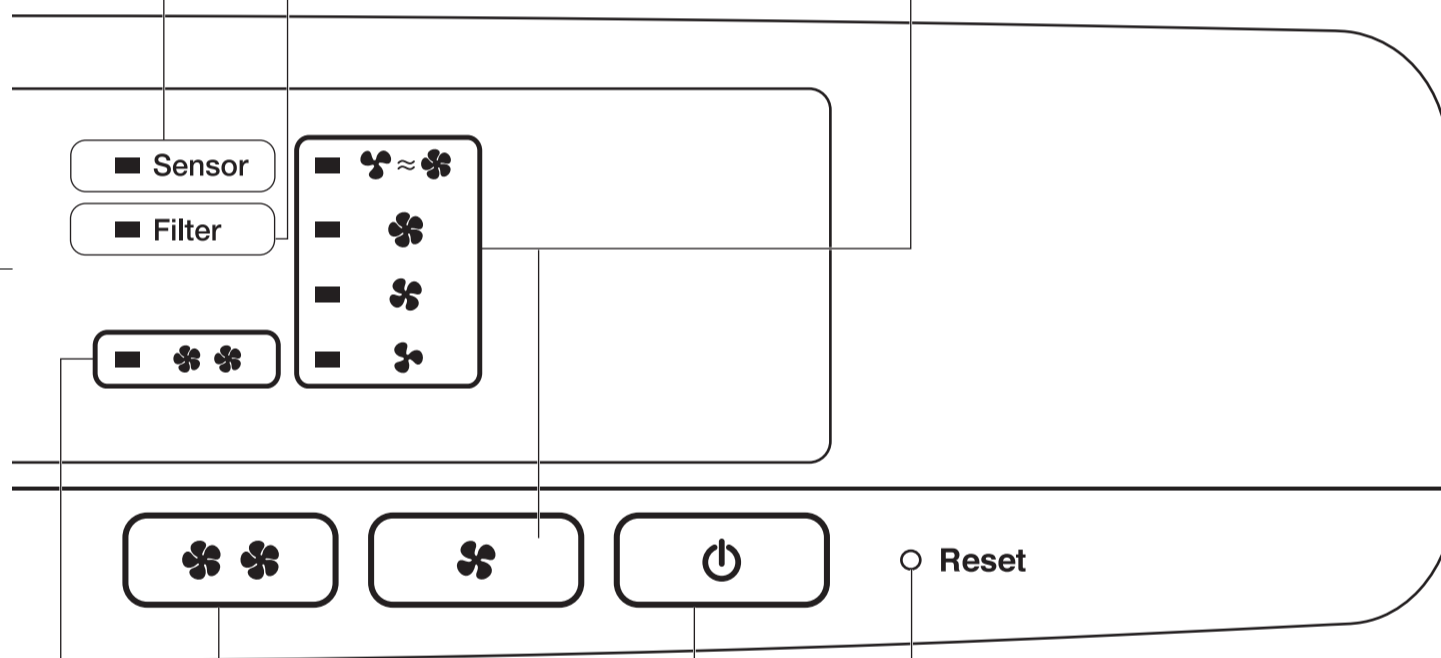
### Voyant/Bouton du mode de fonctionnement

Chaque fois que vous appuyez sur ce bouton, le mode de fonctionnement change comme indiqué ci-dessous. (→P48)

Fonctionnement silencieux → Normal → Fort → Automatique

### Indicateur de changement de filtre

Si le voyant est allumé, vous devez changer le filtre. (→P52)



### Voyant/Bouton Turbo

Veillez appuyer sur le bouton pour allumer le voyant et mettre le purificateur AP45-M en mode Turbo pendant environ 10 minutes. (→P48)

### Bouton de Réinitialisation

Après avoir changé le filtre ou nettoyé le capteur, veuillez appuyer sur le bouton situé à l'arrière du trou et éteindre les indicateurs de changement de filtre et de nettoyage du capteur. (→P52)

### Bouton marche/arrêt

Appuyez sur le bouton pour allumer l'appareil et démarrer son fonctionnement dans le même mode de fonctionnement programmé avant d'éteindre l'appareil. Appuyez à nouveau sur le bouton pour arrêter son fonctionnement et couper l'alimentation. (→P48)

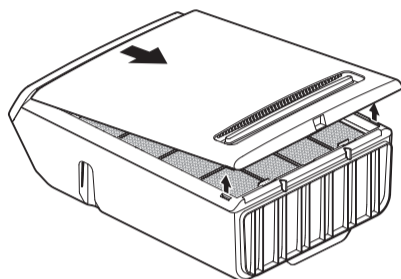
# Préparations avant utilisation

## ■ Comment installer les filtres

Assurez-vous d'installer le filtre avant de le brancher.

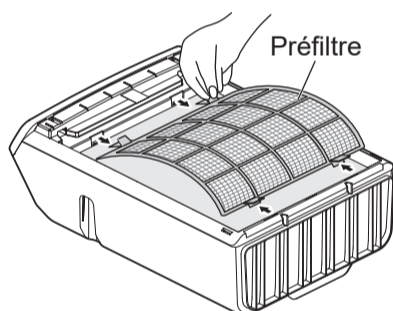
### 1 Tournez l'appareil sur le côté pour retirer le panneau avant

- Soulevez les deux côtés du bas du panneau avant pour le retirer.



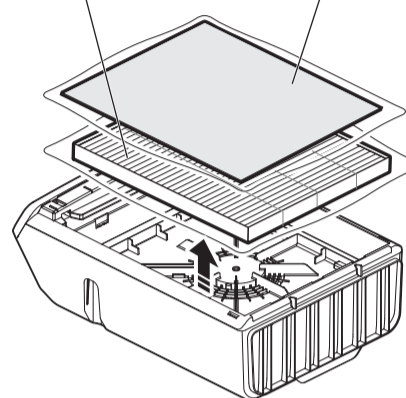
### 2 Retirer le préfiltre

- Tirez sur les languettes des deux côtés du dessus pour le retirer.
- Tirez ensuite sur les languettes des deux côtés du fond pour le retirer.



### 3 Retirez le filtre à charbon actif et le filtre de dépoussiérage du sac en plastique

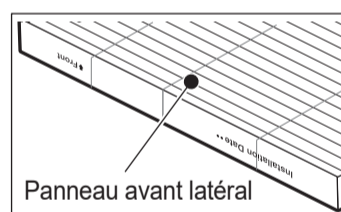
Filtre de dépoussiérage      Filtre à charbon actif



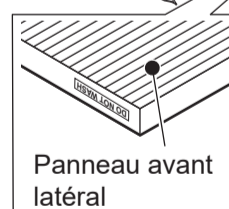
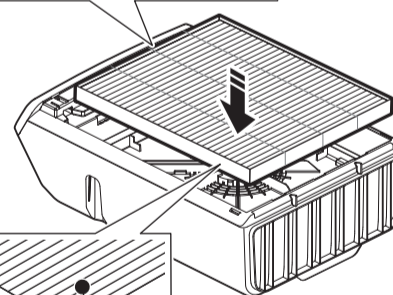
- Les filtres sont placés dans le sac en plastique pour préserver leur qualité. Retirez-les du sac avant utilisation.

### 4 Installation du filtre de dépoussiérage

- La direction de la flèche sur le filtre doit être la même que celle du côté du panneau avant.
- ※ Sinon, la fonction de dépoussiérage risque de ne pas fonctionner correctement.
- Remplissez la date d'utilisation (la date à laquelle vous avez ouvert le sac) avec un marqueur magique.



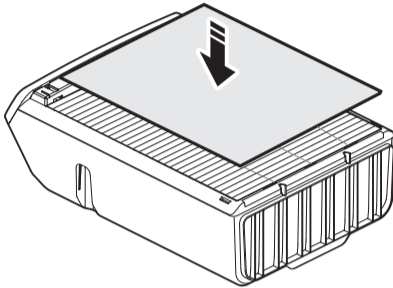
Panneau avant latéral



Panneau avant latéral

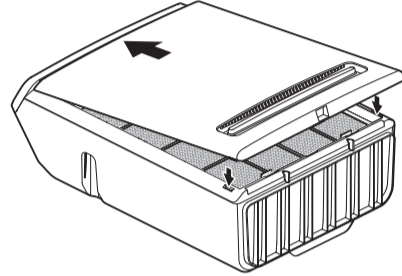
## 5 Installation du filtre à charbon actif

- Il n'y a pas de distinction entre les deux côtés.
- Remplissez la date d'utilisation (la date à laquelle vous avez ouvert le sac) avec un marqueur magique.



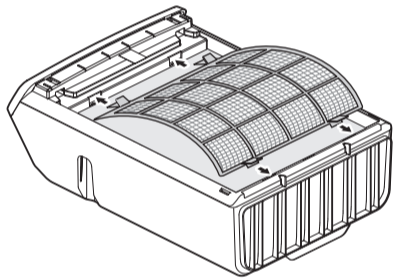
## 7 Installation du panneau avant

- Insérez l'encoche sur la partie supérieure du panneau avant dans la partie supérieure du corps principal, puis insérez les languettes sur le côté inférieur jusqu'à ce que vous atteigniez le trou dans le corps principal de l'appareil.



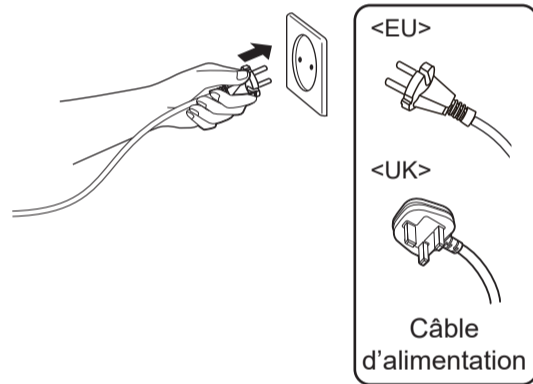
## 6 Installation du préfiltre

- Insérez les languettes des deux côtés de la face inférieure jusqu'à ce que vous atteigniez le trou dans le corps principal de l'unité. Insérez ensuite les languettes des deux côtés du dessus jusqu'à ce que vous atteigniez le trou dans le corps principal de l'unité.



## ■ Connexion

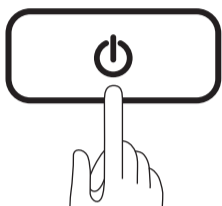
- Placez l'appareil sur une surface plane et ferme, puis branchez-le.



# Mode d'emploi

## 1 Appuyez sur le bouton marche/arrêt

- L'appareil commencera à fonctionner dans le mode défini avant l'arrêt de l'appareil.
- Après avoir débranché le câble ou après que l'appareil a subi une panne de courant, veuillez allumer l'appareil pour commencer à l'utiliser en mode automatique.

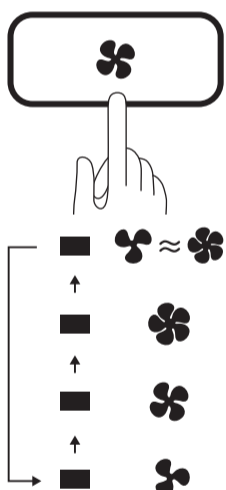


### Précaution

- Étant donné que le capteur a une sensibilité élevée, si un humidificateur à ultrasons ou un spray est utilisé de près, le capteur peut répondre sans brouillard visible.

## 2 Sélectionnez le mode de fonctionnement

- Veuillez appuyer sur le bouton (mode de fonctionnement) pour changer de mode.



### Opération automatique

Lors de la sélection du mode (fonctionnement automatique) , le volume du flux d'air changera automatiquement en fonction de la densité détectée par le capteur.

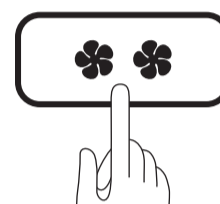
**Silencieux** , **Normal** , **Fort**

La sélection du fonctionnement (silencieux , normal ou fort ) se traduira par un fonctionnement en mode continu indépendamment du capteur.

## Mode Turbo

Lorsque l'air à l'intérieur est pollué, le purificateur d'air nettoiera l'air pollué en mode fort pendant une courte période.

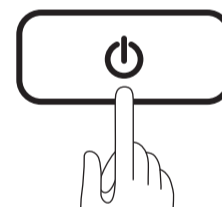
- Veuillez appuyer sur le bouton (turbo) pour effectuer le fonctionnement en mode turbo. Le voyant (turbo) s'allumera.



- L'appareil commencera à fonctionner en mode turbo pendant environ 10 minutes.
  - Pour mettre fin au fonctionnement en mode turbo, veuillez appuyer sur le bouton (turbo) ou le bouton (mode de fonctionnement) .
  - L'appareil commencera à fonctionner dans le mode réglé avant le réglage du mode turbo.
- ※ Il est recommandé d'ouvrir le volet de sortie d'air lors du fonctionnement de l'appareil en mode turbo.

## Pour arrêter l'appareil

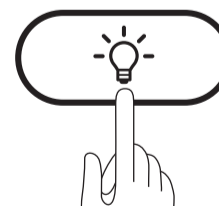
- Pendant le fonctionnement de l'appareil, veuillez appuyer sur le bouton (ON / OFF) . L'appareil s'arrêtera avec un bip.



## Changement de luminosité

- Veuillez appuyer sur le bouton de (changement de luminosité) pour modifier la luminosité du rétroéclairage. Chaque fois que vous appuyez sur le bouton, la luminosité du rétroéclairage changera comme indiqué ci-dessous.

→ 100% → 50% → 10% → Éteint



※ Arrêtez l'appareil pour désactiver le rétroéclairage.

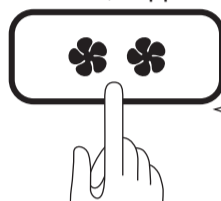


## Réglage de la sensibilité du capteur

Réglage de la sensibilité du capteur. Veuillez utiliser cette fonction lorsque le voyant sur l'écran du moniteur de poussière reste rouge ou que le voyant rouge clignote. Assurez-vous de le faire après avoir coupé l'alimentation.

### 1 Maintenez le bouton turbo enfoncé

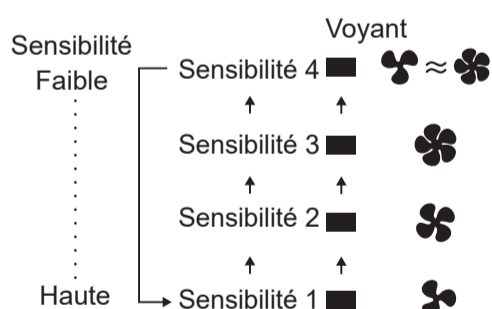
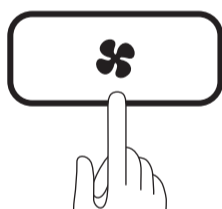
- Lorsque vous définissez le mode de réglage de la sensibilité, l'appareil émettra un bip.



Appuyez sur le bouton et maintenez-le enfoncé pendant 3 secondes ou plus.

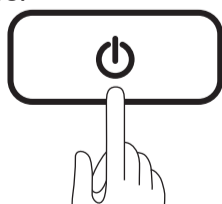
### 2 Veuillez appuyer sur le bouton de mode de fonctionnement pour changer votre sensibilité préférée

- Chaque fois que vous appuyez sur le bouton, l'appareil émettra un bip pour modifier la sensibilité de l'appareil comme indiqué ci-dessous.
- Veuillez effectuer la configuration en 10 secondes. Après 10 secondes, l'appareil émettra un bip et le réglage automatique terminera.
- La configuration par défaut d'usine définit la sensibilité de l'appareil sur 1.



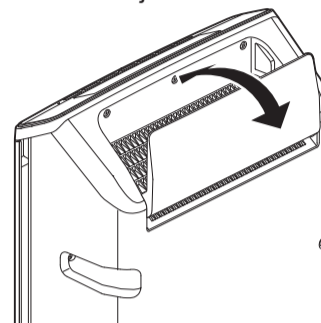
### 3 Appuyez sur le bouton marche/arrêt

- L'appareil émettra un bip pour confirmer la sensibilité réglée.

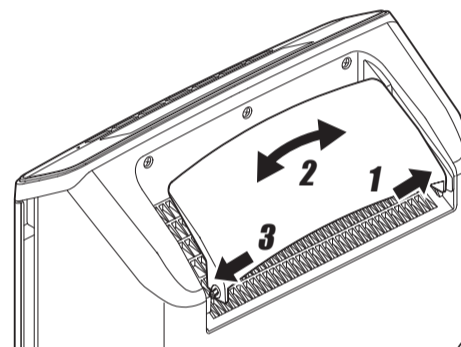


## Réglage de la direction du flux d'air

Le volet de sortie d'air ajustera la direction du flux d'air.



Pour votre sécurité, le volet a été conçu pour être facilement retiré. Si vous le retirez, veuillez l'installer en suivant la procédure ci-dessous (faites particulièrement attention au sens).

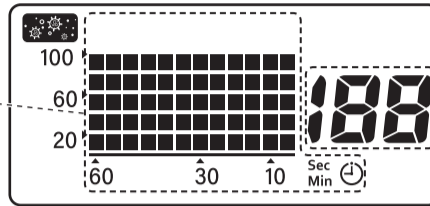


- Placez l'encoche sur le côté gauche (plus épaisse) dans le trou
- Tournez-le
- Placez l'encoche sur le côté droit dans le trou

# Moniteur de poussière d'intérieur

La valeur de la poussière intérieure mesurée par le capteur sera affichée.

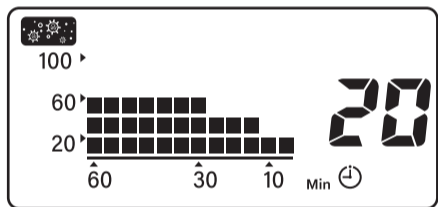
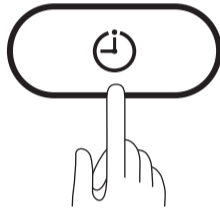
Le changement de densité de poussière pour les 60 dernières minutes ou 60 secondes sera affiché. Les nouvelles valeurs sur le côté droit du graphique seront affichées toutes les 5 minutes ou 5 secondes.



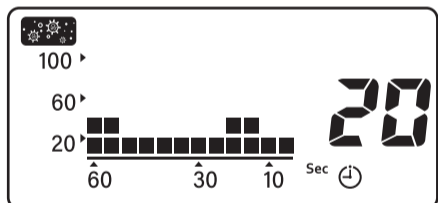
La densité actuelle de poussière dans l'air sera affichée de 0 à 100.

## Indicateur de temps

- Veuillez appuyer sur le bouton (affiche le changement d'heure en minutes/secondes) pour changer l'indicateur de temps sur le graphique en minutes et secondes.



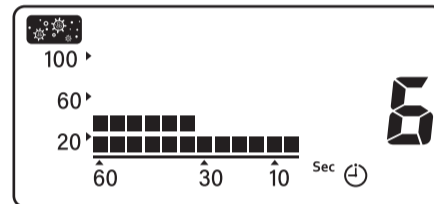
En minutes



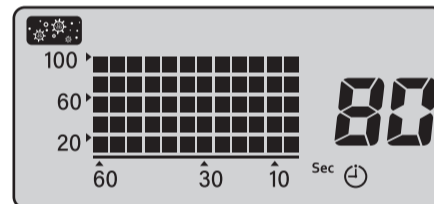
En secondes

## Éclairage de l'écran du moniteur de poussière

- Le degré de pollution de l'air mesuré par le capteur sera affiché sur l'écran du moniteur de poussière en couleur rétroéclairée.



Couleur rétroéclairée : Bleu



Couleur rétroéclairée : Rouge

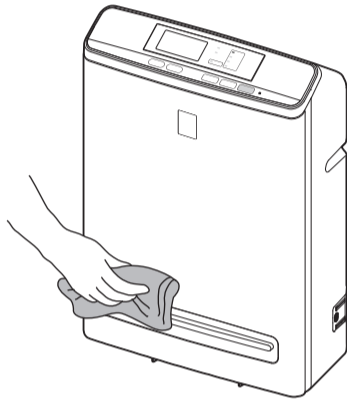
Couleur rétroéclairée	Degré de pollution de l'air
Bleu	Propre
Rouge	Pollué

## Nettoyage et entretien

- Veuillez nettoyer l'appareil après l'avoir arrêté et débranché.
- N'utilisez pas de détergents, diluants, benzène, agents de blanchiment, etc.

### ■ Corps principal Une fois par mois

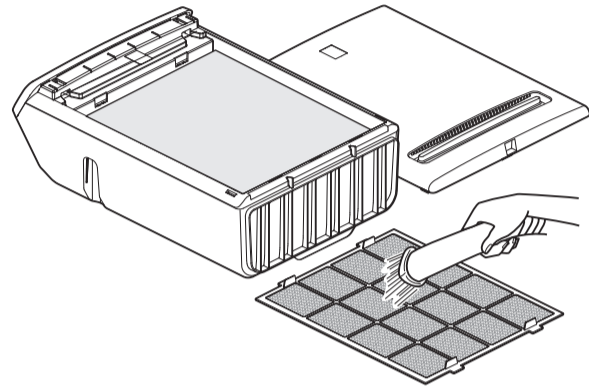
- Mouillez un chiffon doux avec de l'eau ou de l'eau tiède (40°C ou moins), essorez-le et essuyez la saleté de l'appareil.



- Veuillez ne pas verser d'eau. Le non-respect de cette consigne peut provoquer un choc électrique, des blessures corporelles ou un dysfonctionnement de l'appareil.
- Pour utiliser un chiffon traité chimiquement, veuillez suivre les étiquettes d'avertissement.

### ■ Préfiltre Une fois par mois

- L'accumulation de poussière dans le préfiltre peut réduire le volume d'air. Veuillez ouvrir le panneau avant pour retirer le préfiltre et nettoyer la poussière avec un aspirateur.



FR

- Le filtre à charbon actif et le filtre de dépolluage ne peuvent pas être nettoyés.

### Précaution

Veuillez ne pas aspirer ou laver l'appareil dans l'eau. N'appuyez pas et n'arrondissez pas le filtre avec force. Sinon, vous risquez d'endommager le filtre. Un filtre de dépolluage déchiré ne peut pas nettoyer l'air.

- ※ Si le préfiltre est endommagé, veuillez contacter le Centre de Service à la Clientèle d'Iris Ohyama France SAS

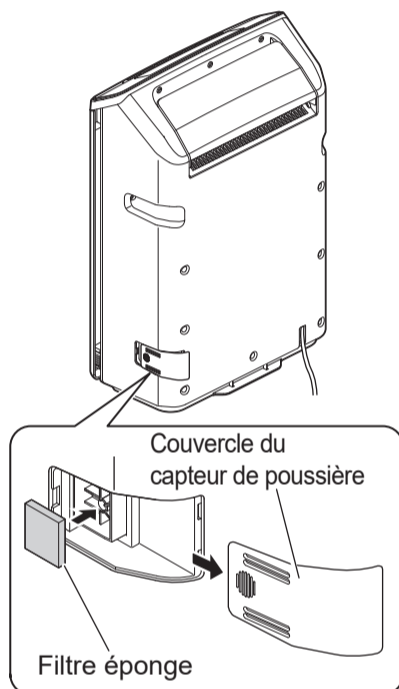
## Nettoyage et entretien Continuation

### ■ Lorsque le voyant de nettoyage du capteur s'allume

L'indicateur (nettoyage du capteur) ■ **Sensor** s'allumera pour vous indiquer quand il est temps de nettoyer le capteur.

Allumé ■ **Sensor**

- Veuillez ouvrir le couvercle du capteur de poussière sur le côté du corps principal de l'appareil et retirer le filtre éponge. Lavez le filtre éponge dans la machine à laver, séchez-le bien et remettez-le en place.



- Après avoir réinstallé le filtre éponge, veuillez appuyer sur le bouton (réinitialisation) ○ **Reset** et éteindre le voyant (nettoyage du capteur) ■ **Sensor**.

○ **Reset**

Veuillez appuyer sur l'arrière du trou sur le panneau de commande

- Veuillez ne pas utiliser l'appareil sans le filtre éponge (le capteur de poussière ne pourra pas mesurer correctement le niveau de poussière).
- ※ Le temps d'allumage de l'indicateur (nettoyage du capteur) ■ **Sensor** varie en fonction de la fréquence de fonctionnement. Dans des conditions de fonctionnement normal, le voyant s'allumera après 1 mois d'utilisation.

### ■ Lorsque le voyant de changement de filtre s'allume

L'indicateur (changement de filtre) ■ **Filter** s'allumera pour vous informer lorsqu'il est temps de changer le filtre.

Allumé ■ **Filter**

- Achetez un filtre vendu séparément (→ P54) et changez le filtre conformément aux procédures décrites dans les «Préparations avant utilisation» (→ P46).
- Après avoir changé le filtre, veuillez appuyer sur le bouton (réinitialisation) ○ **Reset** et éteindre l'indicateur (changement de filtre) ■ **Filter**.

○ **Reset**







Veuillez appuyer sur l'arrière du trou sur le panneau de commande.

- ※ Le temps d'allumage de l'indicateur (changement de filtre) ■ **Filter** variera en fonction de la fréquence de fonctionnement et de la densité de pollution de l'air. Dans des conditions de fonctionnement normal, le voyant s'allumera au bout de 2 ans.

● Si le voyant (nettoyage du capteur) ■ **Sensor** et le voyant (changement du filtre) ■ **Filter** s'allument en même temps, appuyez sur le bouton de réinitialisation pour éteindre les voyants.

## Résolution des problèmes

Si les problèmes suivants se sont produits pendant l'utilisation, avant de demander toute réparation, lire attentivement le manuel d'utilisation et vérifier si l'un des éléments suivants est présent.

Pannes	Causes possibles	Solution
L'appareil ne fonctionne pas	● La fiche ne s'insère pas correctement dans la prise de courant	● Insérez fermement la fiche d'alimentation dans la prise de courant.
Faible débit d'air	● Le filtre est encore dans le sac en plastique	● Retirez le filtre du sac en plastique et installez-le correctement (→P46)
L'appareil émet un son bruyant	● Le filtre n'est pas installé	
Les odeurs ou les fumées ne peuvent être éliminées	● Le niveau de pollution de l'air à l'intérieur est plus élevé que la normale	● Indépendamment de l'indicateur (changement de filtre) ■ <b>Filter</b> , veuillez changer le filtre dès que possible.
Avant que le voyant (changement de filtre) ■ <b>Filter</b> ne s'allume, les odeurs et les fumées ne peuvent pas être éliminées	● L'appareil est placé sur une surface instable	● Veuillez le placer sur une surface plane et stable. (→P42)
L'appareil vibre	● Le rétroéclairage est désactivé	● Veuillez appuyer sur le bouton (changement de luminosité)  pour régler la luminosité du rétroéclairage. (→P48)
L'écran du moniteur de poussière d'intérieure est éteint	● La fréquence d'alimentation ne peut pas être détectée correctement	● Veuillez réinsérer la fiche d'alimentation.
L'appareil émet un bip et ne fonctionne pas Error 「E」	● La poussière ne peut pas être détectée correctement	● Le fonctionnement en mode automatique ■  ≈  (silencieux ■  , normal ■  , fort ■  ) ne fonctionne pas, mais le fonctionnement en mode turbo fonctionne. Veuillez contacter le magasin de détail où vous avez acheté le produit ou le Centre de Service à la Clientèle d'Iris Ohyama Europe B.V.
L'appareil émet un bip et ne fonctionne pas Error 「- -」		

### Si les pannes n'arrivent pas à résoudre

Consultez le magasin où vous l'achetez ou le centre de service clientèle [Iris Ohyama France SAS](#)

E-mail du service client [Iris Ohyama France](mailto:CustomerService@iriseurope.fr)

CustomerService@iriseurope.fr



**Avertissement**

**Ne démontez pas, ne réparez pas et ne modifiez pas le produit vous-même.**

## Accessoires vendus séparément

### ■ Filtre de dépoussiérage (filtre HEPA)

Modèle non	AP45-HEPA
------------	-----------

### ■ Filtre à charbon actif spécialement traité

Modèle non	AP45-CARB
------------	-----------

- Pour acheter des accessoires vendus séparément, veuillez contacter le magasin où vous avez acheté l'appareil ou le Centre de Service à la Clientèle d'[Iris Ohyama France SAS](#)

K

ES

AP45-M

WOZZOO®  
by Ohyama

# Purificador de Aire con Monitor

AP45-M

---

## Manual de usuario

---



## Contenido

Especificaciones .....	56
Precauciones de seguridad .....	57
Precauciones de utilización .....	59
Cómo colocar el aparato .....	60
Partes .....	61
Preparaciones antes de su uso .....	64
Instrucciones de funcionamiento .....	66
Monitor de polvo en el interior .....	68
Limpieza y mantenimiento .....	69
Resolución de problemas .....	71
Accesorios vendidos por separado .....	72

## Especificaciones

Número de producto	AP45-M	
Voltaje nominal	220-240V~	
Frecuencia nominal	50Hz	
Consumo de Energía	Silencioso	3W
	Normal	17W
	Fuerte	59W
	Turbo <sup>※1</sup>	80W
Área aproximada de cobertura	96m <sup>2</sup>	
Dimensiones del aparato (aprox.)	L400×A201×A586mm	
peso del producto (aprox.)	5,6kg	
Longitud del cable de alimentación (aprox.)	2m	

※<sup>1</sup> “Turbo” es el modo rápido para despejar el aire rápidamente.

※ El área de cobertura no tiene garantizado el valor de cobertura.

※ Las especificaciones pueden ser alteradas sin previo aviso.



## Precauciones de seguridad

Asegúrese de seguir las precauciones que se describen a continuación para evitar lesiones personales o daños a la propiedad de cualquier persona. Las precauciones de seguridad se clasifican según el grado de daño o daño causado por un uso inadecuado del aparato.

### Símbolos



Precaución.



Prohibido.



Instrucciones que deben seguirse.



### Advertencia

El símbolo indica aspectos que pueden dar lugar a muertes o lesiones graves producidas por una utilización indebida del producto.

#### Por favor, utilice correctamente el enchufe y el cable de alimentación



Debe realizarse

- **Elimine regularmente el polvo del enchufe**

La acumulación de polvo puede llegar a provocar fallos en los aislamientos humedecidos del aparato, causar incendios o descargas eléctricas.

- **Por favor, introduzca el enchufe de manera firme en la toma de corriente**

De lo contrario, puede llegar a causar descargas eléctricas o lesiones personales debidas a cortocircuitos en el aparato.



Tire del enchufe

- **Por favor, asegúrese de desconectar el aparato antes de realizar labores de mantenimiento, inspecciones o traslados del aparato**

De lo contrario, puede llegar a causar descargas eléctricas o incluso lesiones personales.



Sin las manos mojadas

- **Por favor, no lo enchufe ni lo desenchufe con las manos mojadas**

De lo contrario, puede llegar a causar descargas eléctricas, quemaduras o incluso lesiones personales.



Prohibido

- **Por favor, deje de utilizar este aparato si el cable de alimentación o el enchufe se encuentran dañados o la toma de corriente está suelta**

De lo contrario, puede llegar a causar descargas eléctricas o incluso lesiones debidas a cortocircuitos en el aparato.

- **No utilice el aparato con el cable de alimentación enredado**

De lo contrario, puede llegar a sobrecalentar el cable, causar quemaduras o incluso incendios. Por favor, asegúrese de desenrollar el cable de alimentación antes de utilizarlo.

- **No estire el cable de alimentación al mover o almacenar el aparato**

De lo contrario, puede llegar a causar un incendio o incluso descargas eléctricas.

- **No dañe el cable de alimentación**

Por favor, no dañe, altere, doble con fuerza, tire, retuerza o apriete el cable de alimentación, ni coloque peso sobre él. De lo contrario, puede llegar a dañar el cable de alimentación y causar un incendio o descargas eléctricas.

- **El aparato sólo puede funcionar a una tensión comprendida entre 220 y 240 V~**

De lo contrario, puede llegar a causar un incendio o descargas eléctricas.



Debe realizarse

- **Si se produce alguna anomalía o avería, por favor deje de utilizar y desconecte inmediatamente el enchufe de alimentación de la toma de corriente**

De lo contrario, puede llegar a causar humo, un incendio o descargas eléctricas.

**[Casos anómalos]**

- Sabores extraños o sonidos anómalos durante la utilización del producto
  - Calentamiento anormal del enchufe y el cable de alimentación
  - Encendido y apagado intermitente después de retirar el cable de alimentación
  - Averías frecuentes durante su utilización
  - Quemaduras provocadas por descargas eléctricas al tocarlo con las manos
- ➔ Por favor, deje de utilizar inmediatamente este producto y consulte con su distribuidor o tienda donde lo compró o con [Iris Ohyama France SAS](#) llamando al número de atención al cliente para asuntos relacionados con su reparación.



No la desmonte

- **No desmonte, repare ni modifique este producto**

De lo contrario, puede llegar a causar un incendio, descargas eléctricas o incluso lesiones personales. Este aparato solo puede ser reparado por personal debidamente cualificado. Por favor, consulte con la tienda donde compró el producto o con [Iris Ohyama France SAS](#) llamando al número de consulta para asuntos relacionados con la reparación de este aparato.



No la ponga en contacto con el agua

- **No utilice este aparato cerca de fuentes de agua, baños u otros lugares húmedos similares**

- **Por favor, no sumerja el aparato en agua ni vierta agua sobre él**

De lo contrario, puede llegar a causar un incendio o incluso descargas eléctricas.



Debe realizarse

- **Si el cable de suministro se encuentra dañado, este debe ser reemplazado por el fabricante, su agente de servicio o personal debidamente cualificado con el fin de evitar peligros**

## Precauciones de seguridad Continuación



Prohibido

- Por favor, no rocíe el aparato con productos (tales como insecticidas, apósitos o grasa)
- Mantenga el producto alejado de sustancias inflamables tales como (queroseno, disolventes de gasolina y pintura, etc.)
- No utilice este aparato cerca de sitios con humo

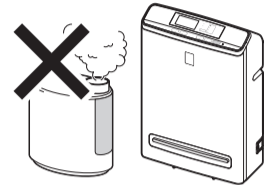
De lo contrario, puede llegar a causar un incendio.



Prohibido

- Por favor, no utilice este aparato en lugares que estén expuestos a la acción directa de vapores procedentes de un humidificador u otro tipo de dispositivos similares

De lo contrario, puede llegar a acortar la vida útil del producto, causar descargas eléctricas o fallos de funcionamiento.



### Precaución

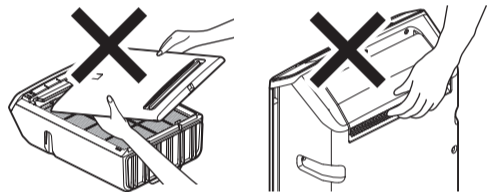
Un uso inadecuado de este producto puede llegar a causar lesiones personales o daños en el aparato.



Prohibido

- Cuando transporte el aparato, por favor agárrelo del asa

Si agarra las solapas del panel frontal o la salida de aire para levantar el aparato, este puede llegar a caer, dañando los muebles o causando lesiones personales.



Prohibido

- No se siente sobre ni se incline contra el producto
- No lo use cerca de niños
- No permita que los niños jueguen con el producto

De lo contrario, puede llegar a causar lesiones personales debidas a una caída del aparato.

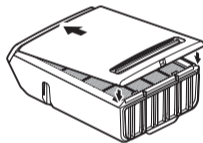
- Este aparato ha sido diseñado única y exclusivamente para su uso en interiores



Debe realizarse

- Por favor, cierre el panel frontal de forma segura

De lo contrario, puede llegar a caerse, dañando los muebles o causando lesiones personales.



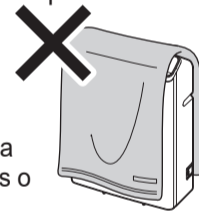
Prohibido

- Por favor, no bloquee las entradas ni las salidas de aire

De lo contrario, puede llegar a causar deformaciones, fallos o incendios debidos a sobrecalentamientos en el aparato.

- Por favor, no ponga los dedos ni ningún material metálico en las entradas y salidas de aire

De lo contrario, puede llegar a provocar descargas eléctricas o fallos en el aparato.



Prohibido

- No utilice este aparato cuando utilice insecticidas para fumigar (humo o niebla)

Las sustancias medicinales pueden llegar a acumularse dentro del purificador de aire. En operaciones posteriores, pueden llegar a inundar el aire y dañar su salud. Después de utilizar insecticidas, por favor use este aparato después de proporcionar ventilación suficiente.



Lontano da fiamme

- Mantenga el aparato alejado del fuego o de aparatos calefactores

De lo contrario, puede llegar a causar un incendio. Además, el viento del purificador de aire puede hacer que la llama del aparato calefactor se vuelva más grande y causar un incendio.

- Manténgalo alejado de fuentes que podrían causar combustiones o llamas, tales como cigarrillos, incienso, etc.

De lo contrario, puede llegar a causar un incendio.



Tire del enchufe

- Agarre firmemente del enchufe de alimentación para desenchufarlo

De lo contrario, puede llegar a dañar el cable de alimentación y causar un incendio o descargas eléctricas.

- Por favor, desconecte el aparato cuando no lo use durante mucho tiempo

De lo contrario, puede llegar a causar un incendio o descargas eléctricas debidos a fallos en los aislamientos.



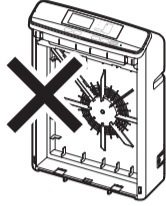
Debe realizarse

- Este aparato puede ser utilizado por niños de 8 años o más y personas con capacidades físicas, sensoriales o mentales reducidas o con falta de experiencia y conocimiento si se les ha dado supervisión o han recibido formación acerca del uso del aparato de una manera segura y comprender los peligros involucrados. Los niños no deben jugar con este aparato. La limpieza y el mantenimiento del usuario no deben ser realizados por niños sin recibir supervisión

## Precauciones de utilización

- **Por favor, no utilice este aparato sin su filtro**

Si utiliza el aparato sin el filtro no podrá limpiar el aire. Hacerlo, puede también causar un mal funcionamiento del mismo.



- **Por favor, no utilice un filtro que esté rasgado o dañado**

De lo contrario, puede llegar a causar un mal funcionamiento del aparato o una degradación de su rendimiento.

- **Por favor, instale correctamente el filtro específico en el producto**

- **No utilice el aparato como ventilador**

- **Por favor, no use el aparato cerca de productos compuestos de aceite tales como aceites vegetales o animales**

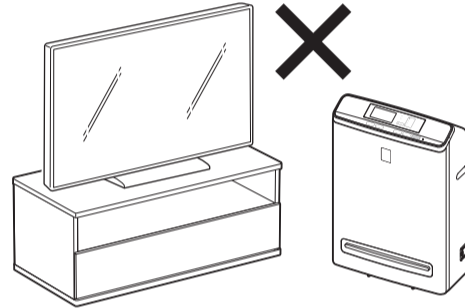
De lo contrario, puede llegar a acortar la vida útil del filtro o causar un mal funcionamiento del aparato.

- **Por favor, mantenga el aparato alejado de aparatos de radio o de televisión.**

Las interferencias electromagnéticas pueden llegar a afectar el funcionamiento normal de dichos aparatos.

- **Si pulsa el botón hará sonar el zumbador.**

Si apaga el aparato, este emitirá un pitido. Otras operaciones también harán que el aparato emita pitidos.



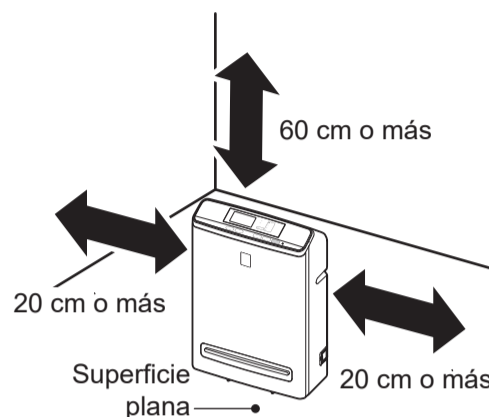
### Tratamiento de residuos

- **Por favor, deseche el aparato y los materiales de embalaje de acuerdo con las normas y regulaciones locales.**

## Cómo colocar el aparato

### ■ Por favor, mantenga el aparato alejado de muebles u otros equipos

- Evite lugares cercanos a aparatos de aire acondicionado o calefactores. Coloque el aparato en un lugar bien ventilado.
- Coloque el aparato alejado al menos 20 cm de paredes o muebles y al menos 60 cm del techo.

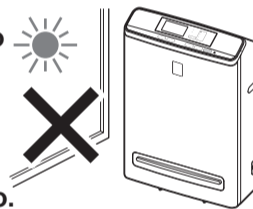


### ■ Por favor, coloque el aparato sobre una superficie plana y firme

- No lo utilice sobre una superficie inestable.
- No voltee ni incline el aparato.  
De lo contrario, puede llegar a sufrir lesiones personales o causar fallos de funcionamiento en el aparato debidos a una caída del mismo.

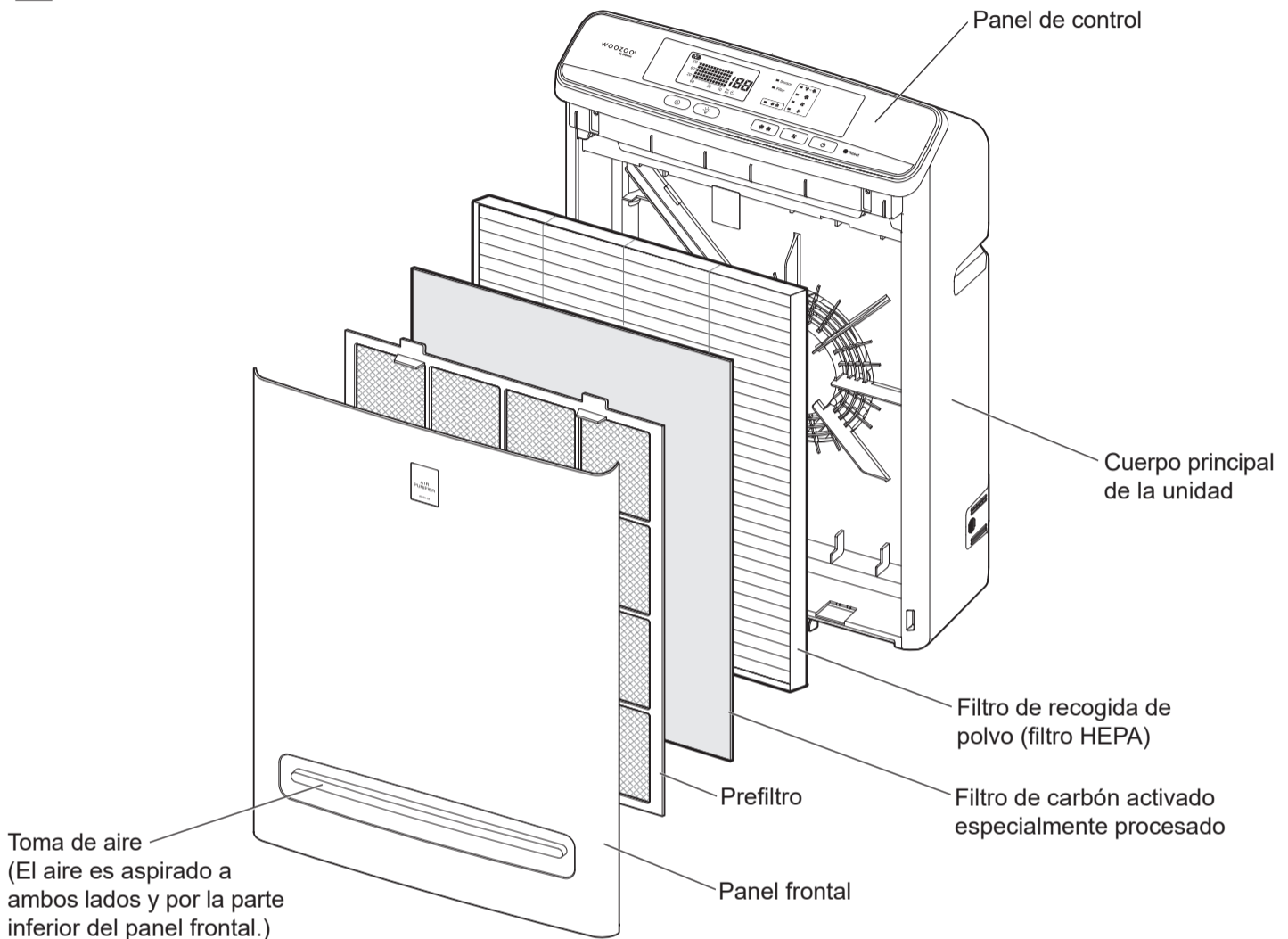
### ■ Precauciones

- El rango de temperatura interior recomendado es de 0 a 35°C.
- Por favor, no utilice este aparato en un entorno en el que la diferencia de temperatura sea excesiva, ya que de lo contrario pueden llegar a producirse humedades debidas a condensaciones.
- Coloque las plantas en lugares en los que no estén expuestas a la acción directa del flujo de salida de aire.
- Las paredes que rodean el aparato pueden estar contaminadas. Por favor, limpie las paredes si va a utilizar el aparato durante un largo período de tiempo.
- No utilice este producto en lugares donde esté expuesto a la acción directa de la luz del sol. De lo contrario, puede llegar a causar un funcionamiento incorrecto o una decoloración del aparato.

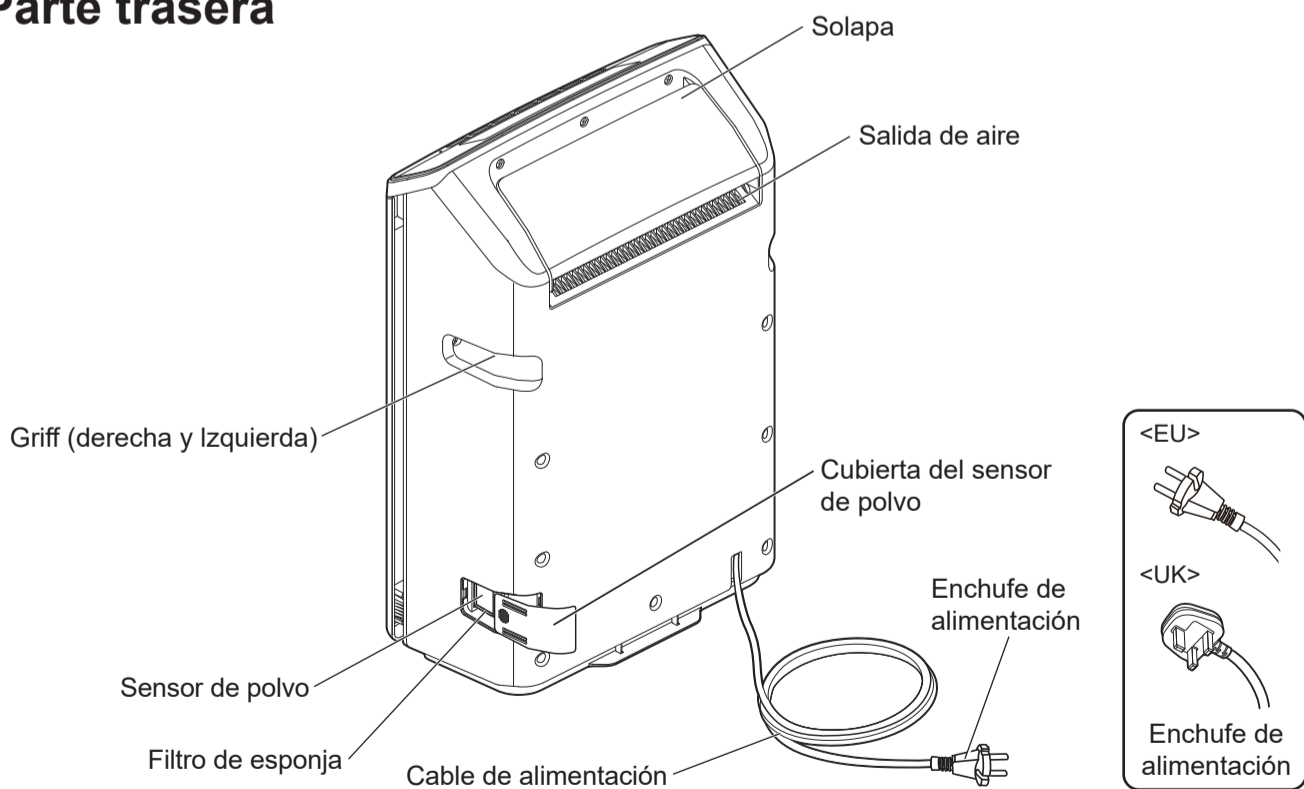


# Partes

## Parte delantera



## Parte trasera

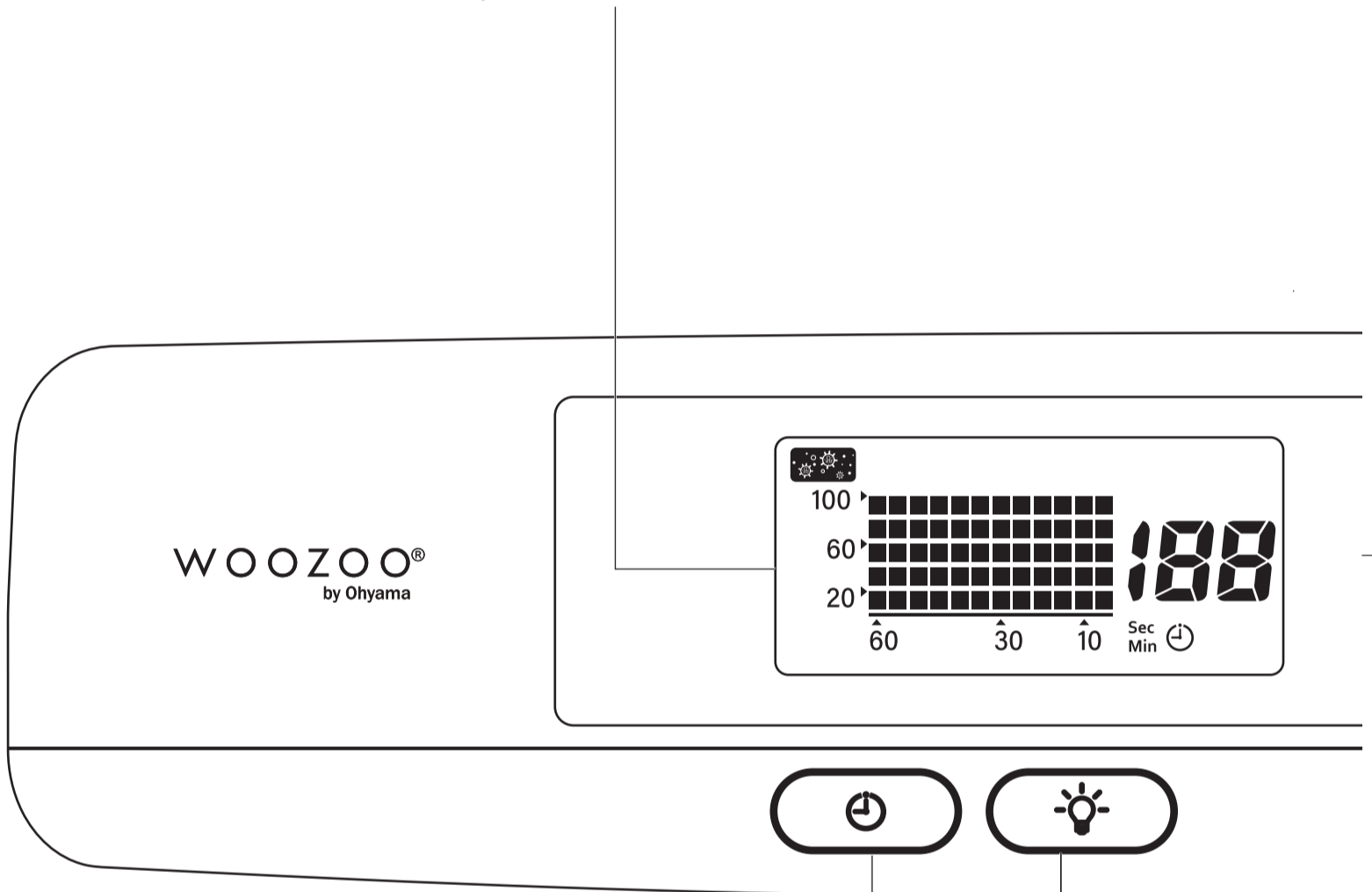


## Partes Continuación

### ■ Panel de control

#### Monitor de polvo en el interior

El sensor mide el nivel de polvo en el interior y lo muestra. (→P68)



#### Botón de cambio de visualización

Cambia el indicador de tiempo del monitor de polvo en el interior. (→P68)

#### Botón de cambio de luminosidad

El brillo de la pantalla cambia tal y como se muestra a continuación.

→ 100%→50%→10%→Apagada

**Indicador de limpieza del sensor**

Si el indicador se encuentra iluminado, indica que es necesario limpiar el sensor. (→P70)

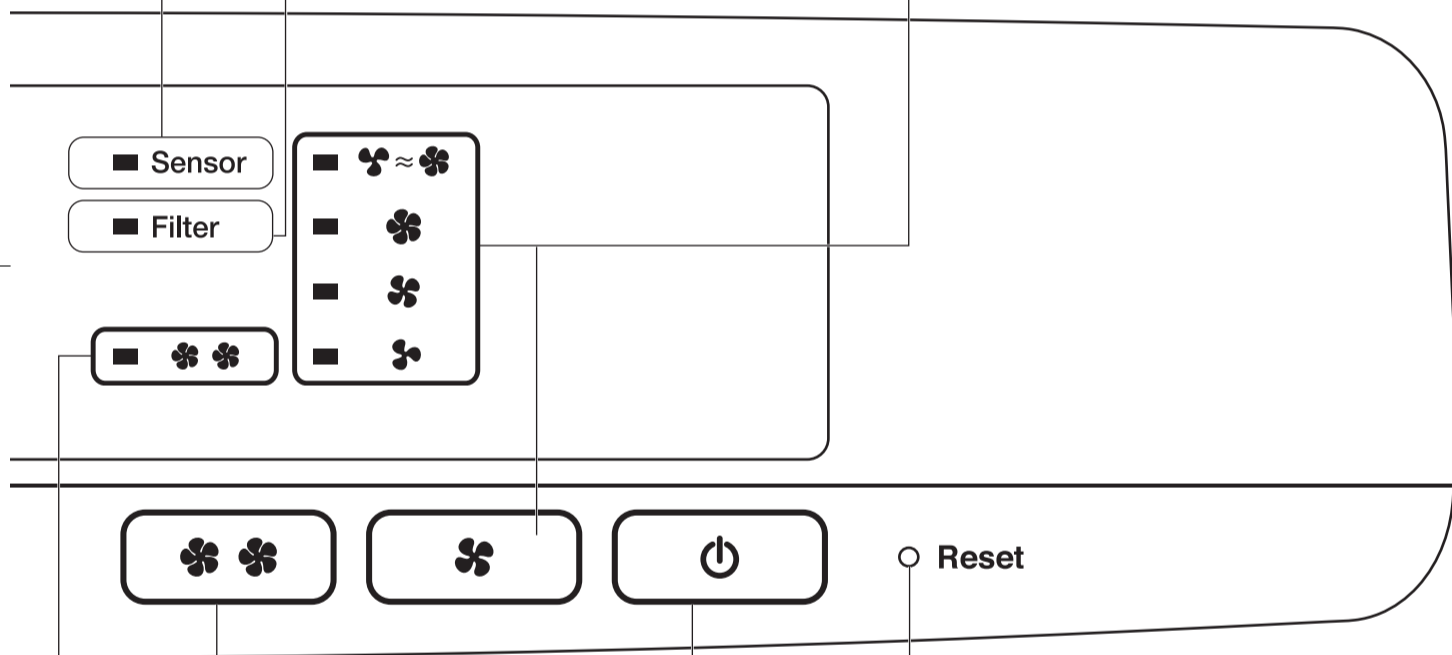
**Botón/luz indicadora de modo de funcionamiento**

Cada vez que pulse este botón, el modo de funcionamiento cambiará tal y como se muestra a continuación.(→P66)

Funcionamiento silencioso→Normal→Fuerte→Automático

**Indicador de cambio de filtro**

Si el indicador se encuentra iluminado, debe cambiar el filtro. (→P70)

**Botón/luz indicadora Turbo**

Por favor, pulse el botón para encender el indicador luminoso y poner el purificador AP45-M en modo Turbo durante unos 10 minutos. (→P66)

**Botón Restablecer**

Después de cambiar el filtro o limpiar el sensor, por favor pulse el botón ubicado en la parte posterior del agujero y apague los indicadores de cambio de filtro y de limpieza del sensor. (→P70)

**Botón encendido/apagado**

Pulse el botón para encender el aparato e iniciar su funcionamiento en el mismo modo de operación programado antes de apagar el aparato.

Pulse nuevamente el botón para detener su funcionamiento y apagar la alimentación. (→P66)

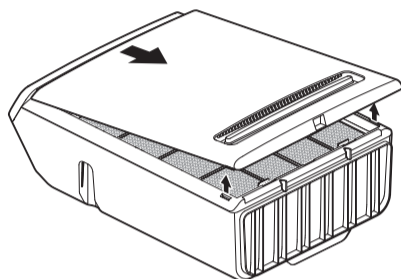
## Preparaciones antes de su uso

### ■ Cómo instalar los filtros

Asegúrese de instalar el filtro antes de enchufarlo.

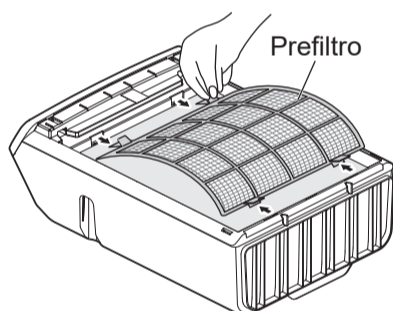
#### 1 Gire el aparato de lado para retirar el panel frontal

- Levante ambos lados de la parte inferior del panel frontal para retirarlo.



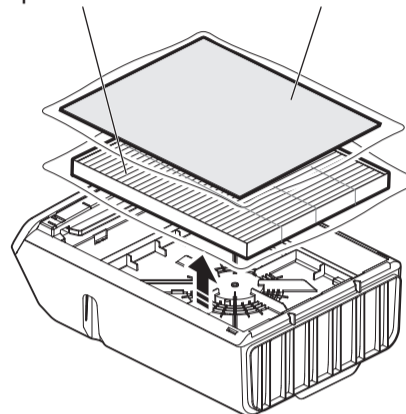
#### 2 Retire el prefiltro

- Tire de las pestañas situadas a ambos lados de la parte superior para retirarlo.
- A continuación, tire de las pestañas situadas a ambos lados de la parte inferior para retirarlo.



#### 3 Retire el filtro de carbón activado y el filtro de recogida de polvo de la bolsa de plástico

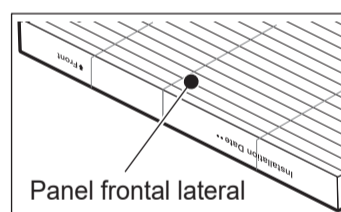
Filtro de recogida de polvo      Filtro de carbón activado



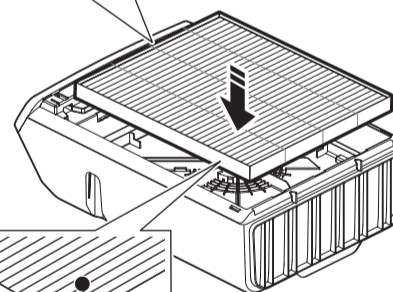
- Los filtros se colocan en la bolsa de plástico para conservar su calidad. Extráigalos de la bolsa antes de utilizarlos.

#### 4 Instalación del filtro de recogida de polvo

- La dirección de la flecha en el filtro debe ser la misma que la del lado del panel frontal.
- ※ De lo contrario, puede que la función de recogida de polvo no funcione correctamente.
- Rellene la fecha de utilización (la fecha en la que abrió la bolsa) con un marcador mágico.



Panel frontal lateral

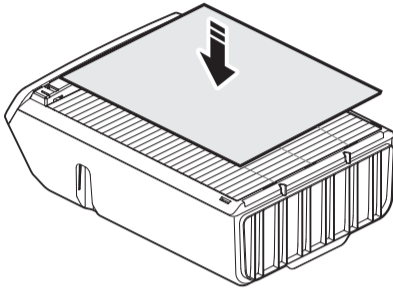


Cubierta del sensor de polvo



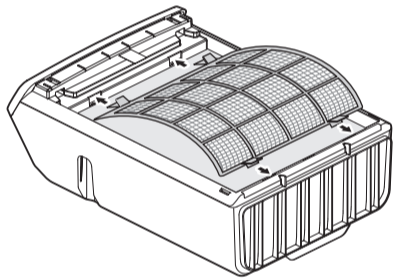
## 5 Instalación del filtro de carbón activado

- No hay distinción entre ambos lados.
- Rellene la fecha de utilización (la fecha en la que abrió la bolsa) con un marcador mágico.



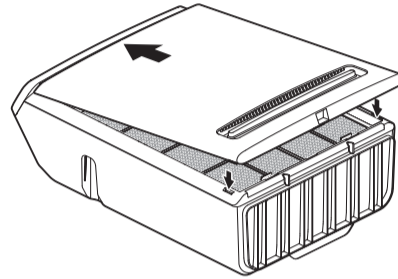
## 6 Instalación del prefiltro

- Introduzca las pestañas situadas a ambos lados del lado inferior hasta llegar al orificio del cuerpo principal de la unidad. A continuación, introduzca las pestañas situadas a ambos lados de la parte superior hasta llegar al orificio del cuerpo principal de la unidad.



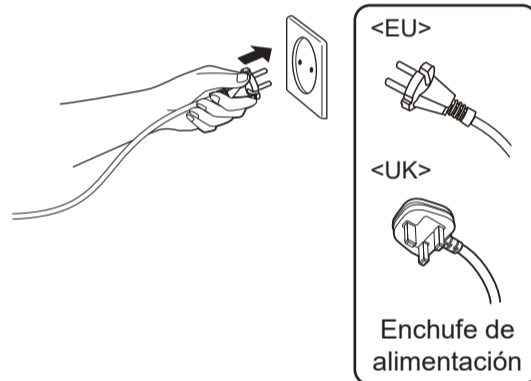
## 7 Instalación del panel frontal

- Introduzca la muesca situada en la parte superior del panel frontal en la parte superior del cuerpo principal y a continuación introduzca las pestañas en el lado inferior hasta llegar al agujero del cuerpo principal del aparato.



## Conexión

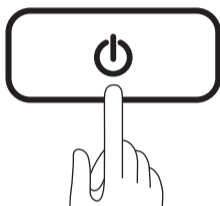
- Coloque el aparato sobre una superficie plana y firme, y posteriormente enchúfelo.



# Instrucciones de funcionamiento

## 1 Pulse el botón encendido/apagado

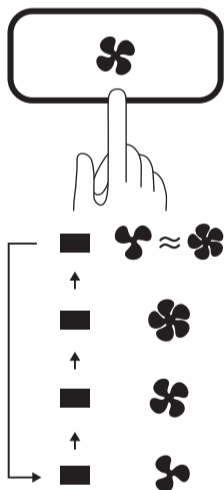
- El aparato comenzará a funcionar en el modo establecido antes de haber apagado el aparato.
- Después de desenchufar el cable o de que el aparato sufra un corte de energía, por favor encienda el aparato para comenzar a utilizarlo en modo automático.



- Dado que el sensor posee una elevada sensibilidad, si se usa un humidificador ultrasónico o un aerosol de cerca, el sensor puede llegar a reaccionar sin niebla visible.

## 2 Seleccione el modo de funcionamiento

- Por favor, pulse el botón (modo de funcionamiento) para cambiar de modo.



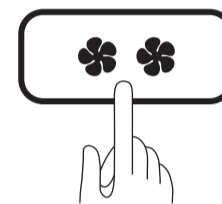
**Funcionamiento automático**   
Al seleccionar el modo de (funcionamiento automático) el volumen de flujo de aire cambiará automáticamente en función de la densidad que detecte el sensor.

**Silencioso** , **Normal** , **Fuerte**   
La selección de funcionamiento (silencioso , normal o fuerte ) dará lugar a una operación en modo continuo independientemente del sensor.

## Modo Turbo

Cuando el aire del interior se encuentre contaminado, el purificador de aire limpiará el aire contaminado en el modo fuerte durante un corto período de tiempo.

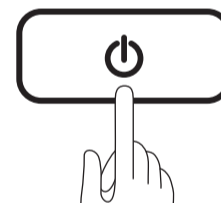
- Por favor, pulse el botón (turbo) para realizar la operación en modo turbo. La luz indicadora (turbo) se encenderá.



- El aparato comenzará a funcionar en modo turbo durante unos 10 minutos.
- Para finalizar la operación en modo turbo, por favor pulse el botón (turbo) o el botón (modo de funcionamiento) .
- El aparato comenzará a funcionar en el modo establecido antes de establecer el modo turbo.
- ※ Se recomienda abrir la solapa de salida de aire durante el funcionamiento del aparato en modo turbo.

## Para detener el aparato

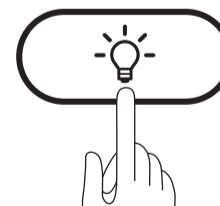
- Durante el funcionamiento del aparato, por favor pulse el botón (encendido/apagado) . El aparato se detendrá emitiendo un pitido.



## Cambio de luminosidad

- Por favor, pulse el botón (cambiar luminosidad) para cambiar el brillo de la retroiluminación. Cada vez que pulse el botón, el brillo de la retroiluminación cambiará tal y como se muestra a continuación.

→ 100% → 50% → 10% → Apagada



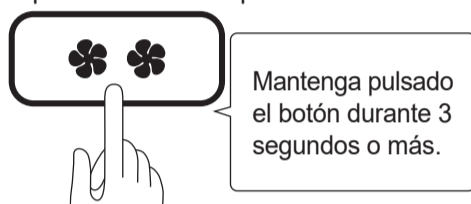
- ※ Detenga el aparato para apagar la luz de fondo.

## Ajuste de la sensibilidad del sensor

Por favor, use esta función cuando la luz de la pantalla del monitor de polvo permanezca roja o la luz roja se encienda intermitentemente. Asegúrese de realizar esto después de apagar la alimentación.

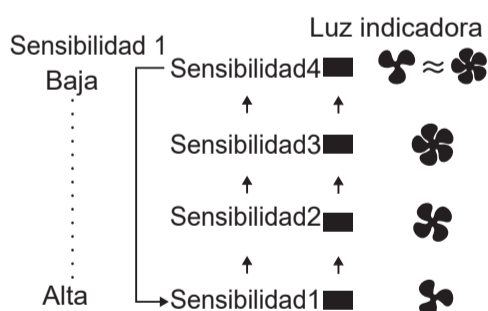
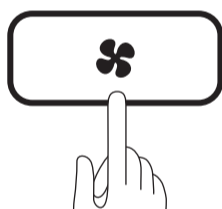
### 1 Mantenga pulsado el botón turbo

- Al establecer el modo de ajuste de la sensibilidad el aparato emitirá un pitido.



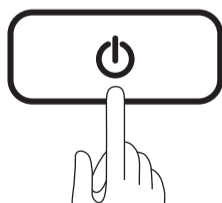
### 2 Por favor, pulse el botón de modo de funcionamiento para cambiar su sensibilidad preferida

- Cada vez que pulse el botón, el aparato emitirá un pitido para cambiar la sensibilidad del aparato tal y como se muestra a continuación.
- Por favor, realice la configuración en 10 segundos. Transcurridos 10 segundos, el aparato emitirá un pitido y el ajuste automático finalizará.
- La configuración predeterminada de fábrica establece la sensibilidad del aparato en 1.



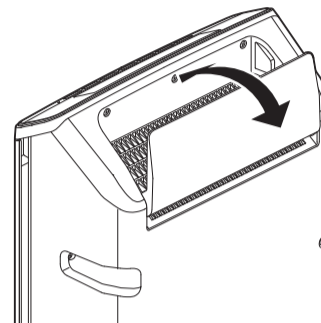
### 3 Pulse el botón encendido/apagado

- El aparato emitirá un pitido para confirmar la sensibilidad establecida.

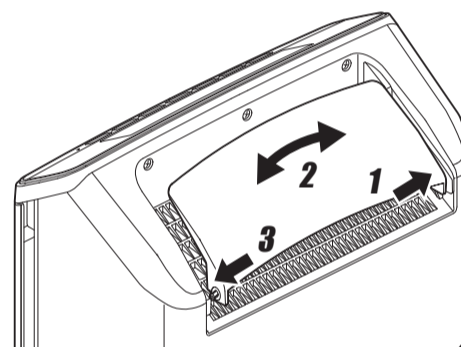


## Ajuste de la dirección del flujo de aire

La solapa de salida de aire ajustará la dirección del flujo de aire.



Para su seguridad, la solapa ha sido diseñada para ser retirada fácilmente. Si la quita, por favor instálela siguiendo el siguiente procedimiento (preste especial atención a la dirección).

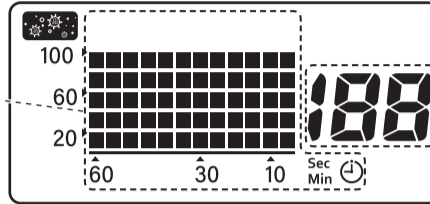


- Coloque la muesca del lado izquierdo (más grueso) en el agujero
- Gírela
- Coloque la muesca del lado derecho en el agujero

# Monitor de polvo en el interior

Se mostrará el valor de polvo del interior medido por el sensor.

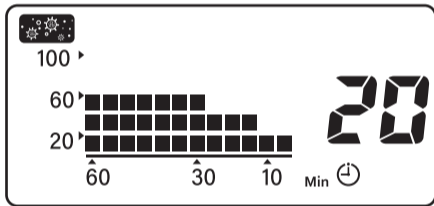
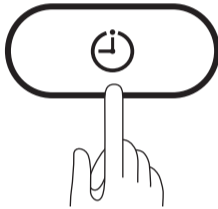
Se mostrará el cambio de densidad de polvo de los últimos 60 minutos o 60 segundos. Los nuevos valores del lado derecho del gráfico se mostrarán cada 5 minutos o 5 segundos.



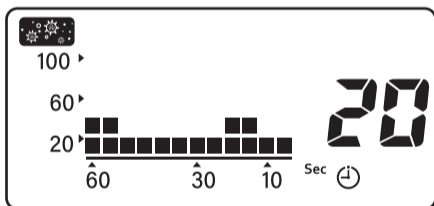
La densidad actual de polvo en el aire se mostrará de 0 a 100.

## Indicador de tiempo

- Por favor, pulse el botón (muestra el cambio de tiempo en minutos/segundos) para cambiar el indicador de tiempo en el gráfico en minutos y segundos.



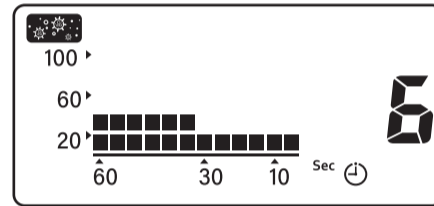
↓ ↑ En minutos



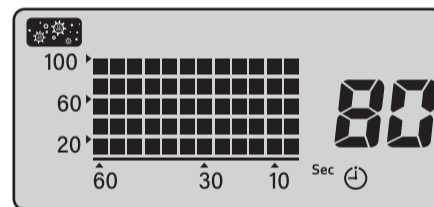
En segundos

## Iluminación de la pantalla del monitor de polvo

- El grado de contaminación del aire medido por el sensor se mostrará en la pantalla del monitor de polvo en color retroiluminado.



Color retroiluminado: Azul



Color retroiluminado: Rojo

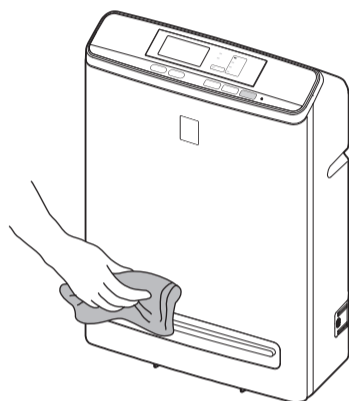
Color retroiluminado	Grado de contaminación del aire
Azul	Limpio
Rojo	Contaminado

## Limpieza y mantenimiento

- Por favor, limpie el aparato después de detenerlo y desenchufarlo.
- No use detergentes, diluyentes, bencinas, agentes blanqueadores, etc.

### Cuerpo Principal una vez al mes

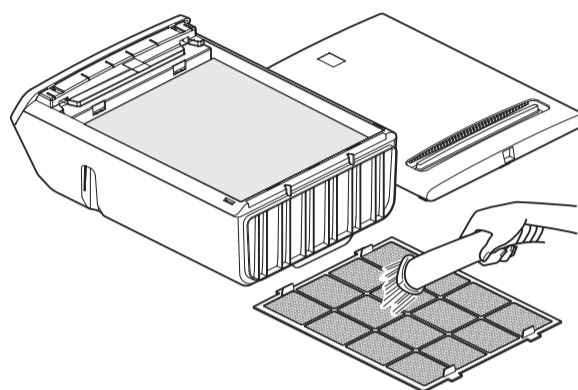
- Moje un paño suave con agua o agua tibia (40°C o menos), escúrralo y limpie la suciedad del aparato.



- Por favor, no vierta agua. De lo contrario, puede llegar a causar descargas eléctricas, lesiones personales o un mal funcionamiento del aparato.
- Para utilizar un paño tratado químicamente, por favor siga las etiquetas de advertencia.

### Prefiltro Una vez al mes

- La acumulación de polvo en el prefiltro puede llegar a reducir el volumen de aire. Por favor, abra el panel frontal para retirar el prefiltro y limpie el polvo con una aspiradora.



- El filtro de carbón activado y el filtro de recogida de polvo no se pueden limpiar.

### Precaución

Por favor, no aspire ni lave el aparato en agua. No presione ni redondee el filtro con fuerza. De lo contrario, puede llegar a dañar el filtro. Un filtro de recogida de polvo desgarrado no puede limpiar el aire.

※ Si el prefiltro está dañado, por favor póngase en contacto con el centro del servicio de atención al Cliente de [Iris Ohyama France SAS](#)

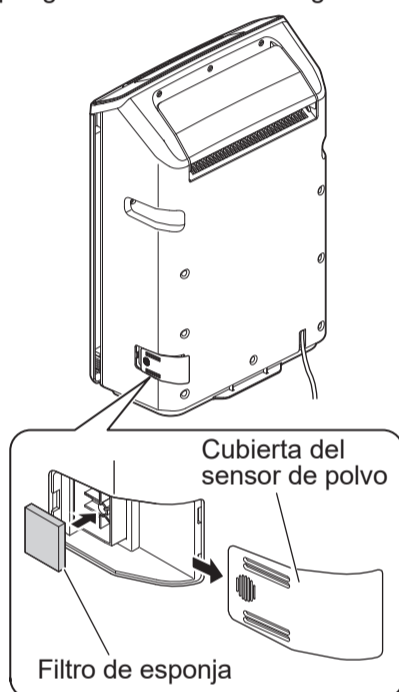
## Limpieza y mantenimiento Continuación

### ■ Cuando se encienda el indicador de limpieza del sensor

El indicador (limpieza del sensor) ■ **Sensor** se encenderá para informarle cuándo es el momento de limpiar el sensor.

Encendido ■ **Sensor**

- Por favor, abra la cubierta del sensor de polvo del lado del cuerpo principal del aparato y retire el filtro de esponja. Lave el filtro de esponja en la lavadora, séquelo bien y póngalo de nuevo en su lugar.



- Después de instalar de nuevo el filtro de esponja, por favor pulse el botón (restablecer) ○ **Reset** y apague el indicador (limpieza del sensor) ■ **Sensor**.

○ **Reset**

Por favor, pulse la parte posterior del orificio en el panel de control

- Por favor, no utilice el aparato sin el filtro de esponja (el sensor de polvo no podrá medir el nivel de polvo correctamente).
- ※ El tiempo de iluminación del indicador (limpieza del sensor) ■ **Sensor** varía en función de la frecuencia de funcionamiento. En condiciones de funcionamiento normal, el indicador se encenderá después de 1 mes de uso.

### ■ Cuando se encienda el indicador de cambio de filtro

El indicador (cambio de filtro) ■ **Filter** se encenderá para informarle cuándo es el momento de cambiar el filtro.

Encendido ■ **Filter**

- Compre un filtro que se venda por separado (→P72) y cambie el filtro de acuerdo con los procedimientos de "Preparaciones antes de su uso" (→P64).
- Después de cambiar el filtro, por favor pulse el botón (restablecer) ○ **Reset** y apague el indicador (cambio de filtro) ■ **Filter**.

○ **Reset**







Por favor, pulse la parte posterior del orificio en el panel de control

- ※ El tiempo de iluminación del indicador (cambio de filtro) ■ **Filter** variará en función de la frecuencia de funcionamiento y la densidad de contaminación del aire. En condiciones de funcionamiento normal, el indicador se encenderá al cabo de 2 años.

● Si el indicador (limpieza del sensor) ■ **Sensor** y el indicador (cambio de filtro) ■ **Filter** se encienden al mismo tiempo, pulse el botón restablecer para apagar los indicadores.

## Resolución de problemas

Antes de solicitar cualquier tipo de reparación, por favor lea detenidamente este manual de instrucciones y compruebe si se ha producido alguno de los siguientes problemas durante el uso del aparato.

Estado	Causa posible	Contra medidas
El aparato no funciona	<ul style="list-style-type: none"> <li>● El enchufe no se inserta de forma segura en la toma de corriente</li> </ul>	<ul style="list-style-type: none"> <li>● Inserte el enchufe de alimentación de forma segura en la toma de corriente.</li> </ul>
Flujo de aire débil	<ul style="list-style-type: none"> <li>● El filtro todavía está en la bolsa de plástico</li> </ul>	<ul style="list-style-type: none"> <li>● Retire el filtro de la bolsa de plástico e instálelo correctamente. (→P64)</li> </ul>
El aparato emite un sonido ruidoso		
Los olores o humos no pueden ser eliminados	<ul style="list-style-type: none"> <li>● El filtro no está instalado</li> </ul>	<ul style="list-style-type: none"> <li>● Independientemente del indicador (cambio de filtro) ■ <b>Filter</b>, por favor cambie el filtro tan pronto como sea posible.</li> </ul>
Antes de que el indicador (cambio de filtro) ■ <b>Filter</b> se encienda, los olores y humos no podrán eliminarse	<ul style="list-style-type: none"> <li>● El nivel de contaminación del aire en el interior es superior al normal</li> </ul>	
El aparato está vibrando	<ul style="list-style-type: none"> <li>● El aparato está colocado sobre una superficie inestable</li> </ul>	<ul style="list-style-type: none"> <li>● Por favor, colóquelo sobre una superficie plana y estable. (→P60)</li> </ul>
La pantalla del monitor de polvo interior está apagada	<ul style="list-style-type: none"> <li>● La retroiluminación está desactivada</li> </ul>	<ul style="list-style-type: none"> <li>● Por favor, pulse el botón (cambio de luminosidad)  para ajustar el brillo de la retroiluminación. (→P66)</li> </ul>
El aparato emite pitidos y no funciona Error 「E !」	<ul style="list-style-type: none"> <li>● La frecuencia de alimentación no puede detectarse correctamente</li> </ul>	<ul style="list-style-type: none"> <li>● Por favor, vuelva a insertar el enchufe de alimentación.</li> </ul>
El polvo no puede ser detectado correctamente Error 「- -」	<ul style="list-style-type: none"> <li>● Si todavía no puede resolver el problema</li> </ul>	<ul style="list-style-type: none"> <li>● La operación en modo automático ■  ≈  (silenciosa, normal, fuerte) no funciona, pero la operación en modo turbo funciona. (silent ■ , normal ■ , strong ■ ) does not work and the turbo operation works. Por favor, póngase en contacto con la tienda minorista donde compró el producto o con el Centro del Servicio de Atención al Cliente de <a href="https://www.irisohyama.com">Iris Ohyama France SAS</a></li> </ul>

ES

### Si todavía no puede resolver el problema

Por favor póngase en contacto con la tienda donde compró el aparato o con el Centro de Servicio de Atención al Cliente de [Iris Ohyama France SAS](https://www.irisohyama.com)

[Iris Ohyama France](mailto:CustomerService@iriseurope.fr) Correo electrónico de atención al cliente

[CustomerService@iriseurope.fr](mailto:CustomerService@iriseurope.fr)



### Advertencia

No desmonte, repare ni altere el producto sin obtener la correspondiente aprobación.

## Accesorios vendidos por separado

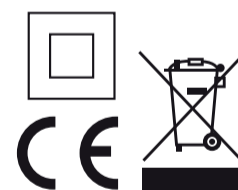
### ■ Filtro de recogida de polvo (filtro HEPA)

Modelo n.º	AP45-HEPA
------------	-----------

### ■ Filtro de carbón activado especialmente procesado

Modelo n.º	AP45-CARB
------------	-----------

- Para adquirir aquellos accesorios que se vendan por separado, por favor póngase en contacto con la tienda donde compró el aparato o con el Centro del Servicio de Atención al Cliente de [Iris Ohyama France SAS](#)



**Iris Ohyama Europe B.V.**  
Gesworenhoekseweg 1,5047 TM Tilburg, The Netherlands  
t: +31 (0) 13 578 00 22, f: +31 (0) 13 578 00 23

**Iris Ohyama France SAS**  
990 Avenue Marguerite Perey 77127 Lieusaint FRANCE  
t: +33 (0) 1 60 60 58 58

**Iris Ohyama UK LIMITED**  
89 Spa Road London United Kingdom SE16 3SG

**[www.iriseurope.com](http://www.iriseurope.com)**