

Circulator Fan PCF-HD18N

Warranty card

If any fault occurs within the following period after the product is bought, the warranty on the back will serve as an evidence to receive repair service free of charge.

Purchasing date *		Within warranty period	
MM/DD/YYYY		1 year since the product is bought <small>excluding expendables</small>	
Customer	Name		
	Address, Post code		
	Telephone () -		
Sales shop *	Address, Shop name		
	Telephone () -		

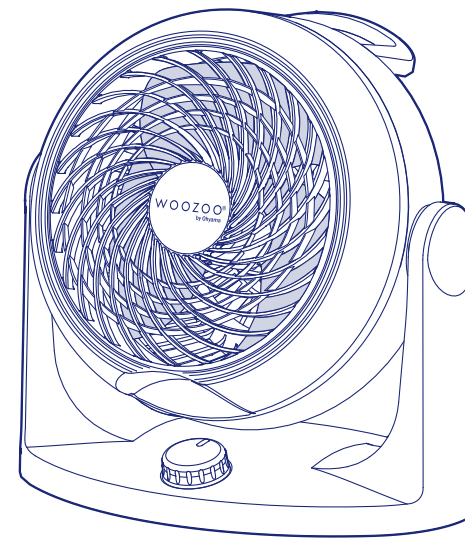
Instruction to sales shop: Please fill the *column before providing it to a customer.

WOZZOO®
by Ohyama

Circulator Fan

PCF-HD18N

Instructions Manual



Contents

Before use

Safety Caution	2
Precautions for use	7
Parts List	8
Placement.....	9

How to use and maintain

How to use.....	10
Maintenance	11

Trouble shooting

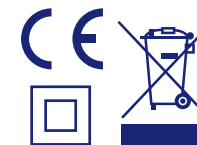
Troubleshooting	12
Long-term used product	13
Specs.....	14
Warranty and after-sales service	14
Warranty provision.....	15
Warranty	back cover

Client : IRIS Ohyama Inc.,
 Address : 2-12-1, Gokyo, Aoba-ku, Sendai-shi, Miyagi-ken, Japan
 Manufacturer: IRIS HOME PRODUCTS (SUZHOU)CO.,LTD
 Address : NO.139 QINGHUA ROAD XUSHUGUAN TOWN,
 SUZHOU NEW DISTRICT, JIANGSU P.R.CHINA

Exclusive Distributer:

Iris Ohyama Europe B.V.

Address: Gesworenhoeckseweg 1, Tilburg – The Netherlands Post code: 5047 TM TEL:+31-(0)13-5780022
 Website: www.irisohyama.co.jp (Japanese) www.iriseurope.com FAX:+31-(0)13-5780023



Safety Caution

Please read the "Safety Caution" before using the product properly. In order to prevent misuse, these instructions are separated between "Warnings" and "Cautions".

Both are important safety information, so please read both.

Warning

Misuse may lead to serious injury or death.

Caution

Misuse may possibly cause injury or damage.

Meanings of Signs



Attention



What not to do



What must be done

Warning



No wet hand

- Do not use in an overly humid location.
- Do not get the product wet.
May cause short-circuiting/electrocution.



Must be performed

- In the occasion of irregularities, stop using, turn off the power, and unplug the product.

This may lead to smoke, ignition and/or electrocution.

(Examples of irregularities)

- Burnt smell or large sound.
- abnormal heat in the plug or cable
- stops working if the cable is moved
- chronically stops working
- touching product shocks you

➡ Please take the product to the store it was purchased at.

Properly use the plug/cable.



Must be performed

- Clean off the dust on the plug
Dust on the plug can ignite, and cause a fire/electrocution.

- Make sure the plug is pushed all the way in to the socket.
May lead to ignition and/or electrocution.



Pull off the plug

- Unplug if doing maintenance or moving.
May lead to electrocution/injury.



No wet hand

- Do not touch the plug with wet hands.
May lead to electrocution, injury, and/or burns.



Prohibited

- Do not use any other source than a 220-240V~ socket.
May lead to ignition or fire.

- Do not use if the cable is damaged, or the wall socket is loose.
May lead to ignition and/or electrocution.

- Do not damage the cable.

Make sure not to bend, modify, scratch, pull, twist, or put weight on the cable.
This may lead to fire/electrocution.

- Do not energize bundled cable.

May lead to fire.

- Do not pull the cable when moving the product.

May cause fire/electrocution.

- Do not start or stop operation by inserting or pulling out the plug.

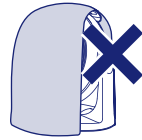
Be sure to use the power button of the main body for operation or stop. May cause fire/electrocution.

Safety Caution (continued)



Prohibited

- Do not use outdoors.
- Do not cut off air flow.
- Do not cover the product.
- Do not use in a dusty location.
May lead to ignition or fire.



Prohibited

- Do not point the product towards stoves or other burning equipment.
It may affect the equipment leading to fire or CO poisoning.



No disassembling

- Do not dismantle, repair, or modify.
This may lead to fires, electrocution and/or injury. It is dangerous to try to repair unless a specialist.
Please take the product to the store it was purchased at.



Prohibited

- Do not use aerosol sprays on the product.
- Do not place flammable materials near the product.
May lead to ignition or fire.



Caution



Prohibited

- Be mindful of children using this product.
- Do not get on or lean on this product.
May lead to electrocution, injury, and/or burns.

When moving the product



Pull off the plug

- Stop operation and pull off the power cord.
May lead to electrocution and/or ignition.



Prohibited

- Do not drag along the floor.
May scratch the floor.



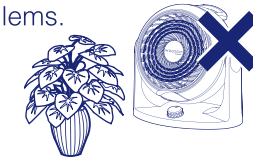
Must be performed

- Use on solid ground.
Using the product on uneven/unstable floor may lead to tipping of it, and may cause injury.



Prohibited

- Do not point the product towards you.
This product is not a fan; it is a circulator, and generates very strong winds. As such, if blowing directly at a person, especially children or the elderly may lead to health problems.
- Do not point directly to animals or plants.
It may prove detrimental to it.



Pull off the plug

- Grab the plug when unplugging the product, and not the cable.
May fail the cable and lead to fire/electrocution.
- Keep the product unplugged when not in use for extended periods of time.
May lead to insulation deterioration and cause fire/electrocution.

Safety Caution (continued)



Prohibited

- Do not apply strong impact to the product.
May cause malfunction, fire, or electrocution.



Prohibited

- **Correct Disposal of this product.**
This marking indicates that this product should not be disposed with other household wastes throughout the EU. To prevent possible harm to the environment or human health from uncontrolled waste disposal, recycle it responsibly to promote the sustainable reuse of material resources. To return your used device, please use the return and collection systems or contact the retailer where the product was purchased. They can take this product for environmental safe recycling.



Prohibited

- Do not operate without the blades or the cover.
May lead to injury, electrocution and/or fire.

Precautions for use

■ Caution Regarding Placement

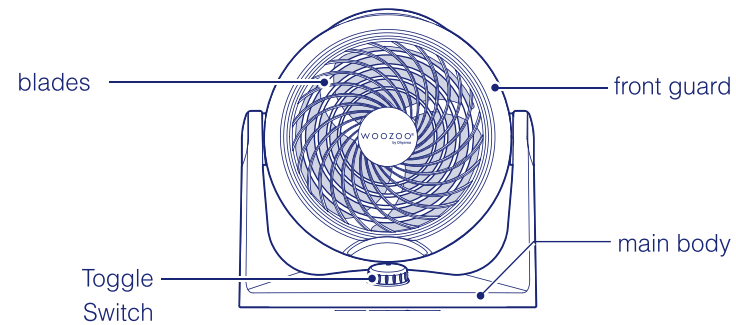
- Place in a location that does not come in contact with direct sunlight or air from the heater.
It might deform, discolor or malfunction sometimes.
- Place in location that doesn't draw in curtains or drawstings.
- Do not place near a television or the radio.
May cause white noise.
- Do not wipe it with benzine or thinner.
It might deform or discolor sometimes.

■ Disposal

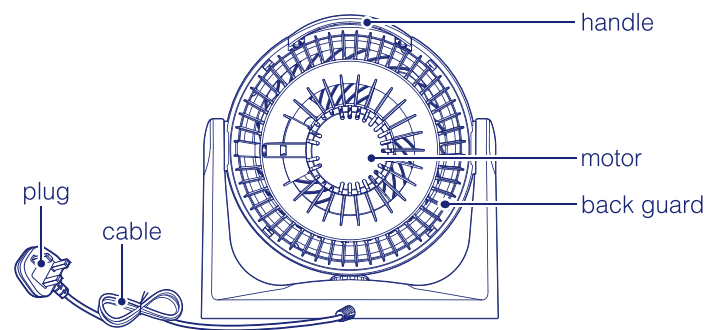
- When disposing the product or its packing material, please follow the regulations of local government.

Parts List

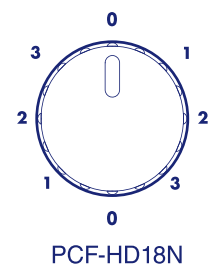
■ Front



■ Back

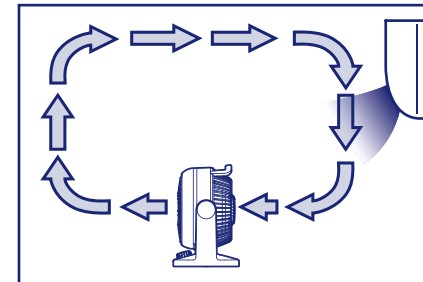


■ Toggle switch



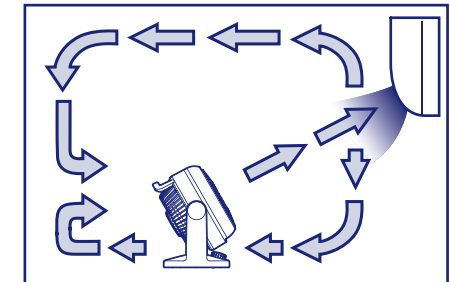
Placement

Place on a flat surface without any obstructions.



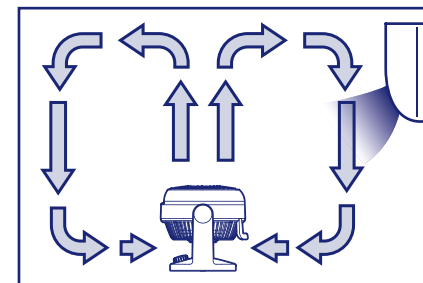
Usage with air conditioning ①

The cold air gathering on the floor is circulated across the room.



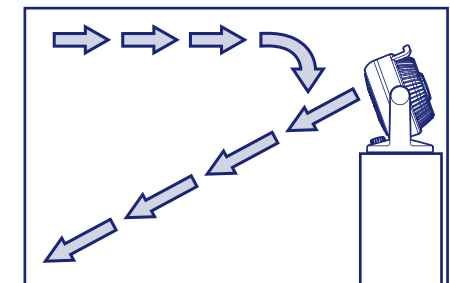
Usage with air conditioning ②

The directly blowing cold air is circulated across the room.



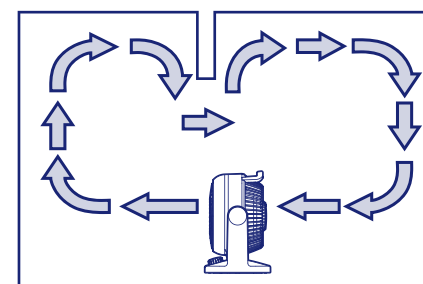
Usage with heater ①

The wind is sent to the ceiling to circulate the warm air above in the room.



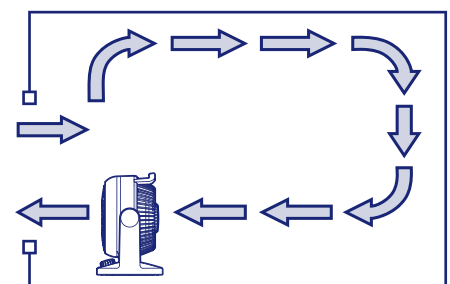
Usage with heater ②

Wind is blown from above a furniture with a high back to circulate warm air above.



Circulating two rooms

This product can circulate the air between two rooms.



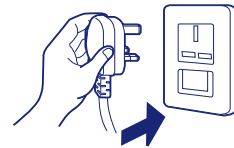
At the time of ventilation

Brings in the air from the outside, and blows out the air from in the room.

How to Use

■ Connecting the plug

make sure to insert the plug all the way.



■ Start

Twist the toggle switch to choose the level of intensity.

■ Stop

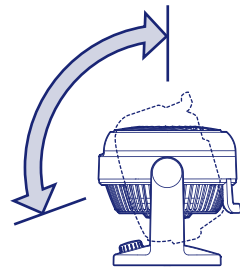
To stop operation, please **turn off** the toggle switch.

Caution

- You cannot rotate the neck of the circulator manually. Always use the toggle switch to turn on/off.

Vertical movement (manual)

You can manually regulate the wind direction in vertical direction between -20~90 degrees in 6 levels.



Maintenance



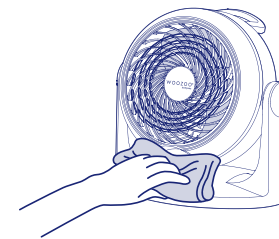
Warning

- When not in use, turn off the power and keep it unplugged.
- The motor will be hot after usage. Make sure to give it time to cool off before starting maintenance.

- Do not use thinners, alcohol, benzene, basic solutions, or whiteners. It may discolor, disfigure, or damage the product.

■ main body

Wipe the product with a dry soft cloth. If blemishes are still there, use a diluted solution to wipe, and then wipe down afterwards.



■ Storage

If not in use for an extended amount of time, cover with a plastic bag, and store in a location with low contact with sunlight and low humidity.

Troubleshooting

If there were any abnormalities during operation, please make sure of the following before sending it back for repairs.

Condition	Possible Causes	Measures
Does not move	<ul style="list-style-type: none"> The plug is not inserted into the socket properly. 	<ul style="list-style-type: none"> Try to insert the plug properly.
Loud operation sound	<ul style="list-style-type: none"> It is badly placed 	<ul style="list-style-type: none"> Place on a stable and flat surface.
There is noise at the time of oscillation. (CFA-187 only)	<ul style="list-style-type: none"> Although the sound becomes strong temporarily at the time of oscillating operation sometimes, it is a sound specific to the oscillation motor but is not abnormality. 	
Weak air flow	<ul style="list-style-type: none"> There is dust buildup 	<ul style="list-style-type: none"> Remove the dust.
The plug and the socket are abnormally hot.	<ul style="list-style-type: none"> Please stop use immediately and pull out the plug and contact the sales shop where you bought the product. 	



Warning

- Do not try to modify, repair, or dismantle this product.

Long-term used product

When the following symptoms caused by long-term use are found, turn off the power immediately, pull out the power plug from the socket and consult the sales shop where you bought the product.

- No response is received even after turning the toggle switch.
- Rotating blades make abnormal sound.
- When blades rotate, speed varies irregularly.
- The power cord is folded or damaged.
- When the power cord is touched, power will be turned on/off.
- Burned smell

Standard service life in design

The standard service life during which the product can be used without safety obstacle in case that the product is used under standard usage conditions based on JIS is indicated on the product body.

Ambient conditions	Voltage	AC230V
	Frequency	50Hz
	Temperature	30°
	Humidity	65%
	Placement	Setting in accordance with the operation manual
Load condition	Operation at the maximum rating of the product	
Supposed time	Operation time	8h/day
	Operation times	5 times/day
	Operation days	110 days/year
	Switch operation times	550 times/year



Caution

Product deterioration and fault are subject to various factors. Even if the indicated standard service life has not expired, when the abnormalities stated above are found, please stop use immediately and consult the sales shop where you bought the product.

Specs

Product number	PCF-HD18N
Driver voltage	220-240V~
Driver frequency	50Hz
Energy consumption	34W
Necessary space	approx 249 sq ft
Cable length	approx 1.8m
Product dimensions	W290 x D190 x H290mm
Product weight	approx 1.7kg

* The specs of the product are subject to change.

* The applicable floor area is for reference. These numbers are no more than an approximation that can be affected by the environment.

Warranty and after-sale service

Read the contents carefully.

■ Warranty card

Be sure to request the warranty card from the sales shop.
You have to pay the repair fee even within the warranty period if you cannot present the warranty card.
Therefore, keep the warranty card well.

■ Within warranty period

Warranty period: 1 year after the product is purchased.
If any fault occurs within the warranty period, present your warranty card and return the product to the sales shop where you bought the product and our company will repair it free of charge.

■ Beyond warranty period

Please consult the sales shop where you bought the product. If the product function can be maintained through repair, we will provide repair as requested with charge.

■ Retention period of spare parts

Our company will retain important spare parts for 5 years after they are out of production.
Capacity parts are parts necessary for maintenance of the product function.

■ After-sale service

For other after-sale services not mentioned here, please consult the sales shop.

Warranty provision

1. In case that any fault or damage occurs during normal use of the product in compliance with the Instruction Manual and the product label, our company will provide repair or replacement service free of charge.
2. If the product needs repair free of charge due to any fault within the warranty period, please present your warranty card and return the product to the sales shop for repair.
3. The warranty content is limited to the free repair of the product itself. No other warranty service is provided even within the warranty period.
4. You need to pay the repair fee in the following cases within the warranty period.
 - (1) Fault or damage caused by improper use or arbitrary repair
 - (2) Fault or damage caused by careless dropping of the product after purchase
 - (3) Fault or damage caused by fire, earthquake or other natural disasters
 - (4) Fault or damage caused by a purpose other than home use (for example, being used in industry for a long time or being mounted on a vehicle or vessel)
 - (5) Fault or damage caused during conveyance or transport after purchase
 - (6) No warranty card is presented
 - (7) The purchase date or the sales shop name is not written on the warranty card or they are obliterated
5. The warranty card cannot be reissued, so be sure to keep it well.

Warranty memorandum

* The warranty card serves as an evidence to receive free repair service in accordance with the period and condition specified in the warranty card. Nevertheless, the warranty card does not limit the legal right of a customer against the issuing company of the warranty card (in charge of repair) and other companies. Should you have any question about maintenance matters beyond the warranty period, please contact and consult the sales shop of Iris.

* For the details of repair matters beyond the warranty period or the retention period of spare parts, refer to Warranty and After-sale Service.

WOOZOO®
by Ohyama

Raumventilator PCF-HD18N

Garantiekarte

Falls nach dem Kauf des Produkts innerhalb des folgenden Zeitraums Mängel auftreten sollten, dient die Garantie auf der Rückseite als Nachweis für den Anspruch auf einen kostenlosen Reparaturservice.

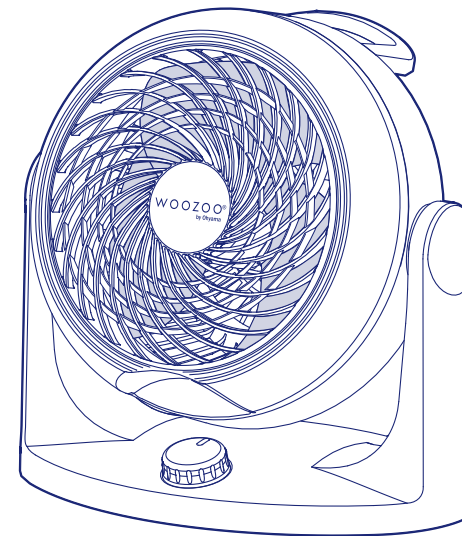
Kaufdatum *		Innerhalb der Garantiezeit	
TT.MM.JJJJ		1 Jahr nach Kauf des Produkts <small>ausgenommen Verbrauchsmaterial</small>	
Kunde	Name		
	Adresse, Postleitzahl		
	Telefon () -		
Verkaufsfiliale *	Adresse, Name der Verkaufsfiliale		
	Telefon () -		

Hinweis für Verkaufsfiliale: Füllen Sie bitte die *Spalte aus, bevor Sie dem Kunden die Garantiekarte aushändigen.

Raumventilator

PCF-HD18N

Bedienungsanleitung



Inhalt

Vor Inbetriebnahme

Sicherheitshinweise.....	2
Vorsichtsmaßnahmen bei der Bedienung	7
Teileliste	8
Aufstellung	9

Bedienung und Wartung

Bedienung	10
Wartung.....	11

Hilfe zur Problemlösung

Bei Verdacht auf Defekte	12
Langfristig verwendetes Produkt.....	13
Technische Daten	14
Garantie und Kundendienst.....	14
Garantiebestimmungen	15
Garantie	Rückseite

Kunde : IRIS Ohyama Inc.,
 Adresse : 2-12-1, Gokyo, Aoba-ku, Sendai-shi, Miyagi-ken, Japan
 Hersteller : IRIS HOME PRODUCTS (SUZHOU)CO.,LTD
 Adresse : NO.139 QINGHUA ROAD XUSHUGUAN TOWN,
 SUZHOU NEW DISTRICT, JIANGSU P.R.CHINA

Exklusiver Lieferant:

Iris Ohyama Europe B.V.

Adresse: Gesworenhoekseweg 1, 5047 TM Tilburg – Die Niederlande
 Website: www.irisohyama.co.jp (Japanese) www.iriseurope.com
 TEL:+31-(0)13-5780022
 FAX:+31-(0)13-5780023



Sicherheitshinweise

Lesen Sie sich bitte vor der Inbetriebnahme des Produkts die „Sicherheitshinweise“ sorgfältig durch.

Um eine missbräuchliche Nutzung zu verhindern, sind diese Anweisungen in „Warnungen“ und „Vorsichtsmaßnahmen“ unterteilt.

Bei beiden handelt es sich um wichtige Sicherheitsinformationen, die Sie deshalb in jedem Fall lesen sollten.



Warnung

Missbrauch kann zu schweren Verletzungen bis hin zum Tod führen.



Vorsicht

Missbrauch kann zu Verletzungen oder Sachschäden führen.

Bedeutung der Symbole



Achtung



Zu unterlassen



Unbedingt zu befolgen



Warnung



Keine feuchten Hände

- Nicht in zu feuchten Umgebungen verwenden.
- Das Produkt darf nicht in nassen oder feuchten Umgebungen verwendet werden. Andernfalls kann dies zu einem Kurzschluss/Stromschlag führen.



Muss durchgeführt werden

- Bei Störungen Produkt sofort außer Betrieb nehmen, ausschalten und von der Stromversorgung trennen. Andernfalls kann dies zu Rauchentwicklung, Funkenschlag und/oder Stromschlägen führen. (Beispiele für Störungen)
 - Unnormale Geräusche oder Gerüche
 - Netzstecker oder Netzkabel sind unnormal heiß
 - Stoppt, wenn Netzkabel bewegt wird
 - Stoppt permanent
 - Bei Berührung des Produkts erhalten Sie einen Stromschlag
- ➔ Bringen Sie das Produkt bitte zu der Verkaufsfiliale zurück, bei der Sie es erworben haben.

Netzstecker/Netzkabel ordnungsgemäß verwenden.



Muss durchgeführt werden

- Staub von Netzstecker entfernen
Staub auf dem Netzstecker kann sich entzünden, sodass Feuer-/Stromschlaggefahr besteht.
- Sicherstellen, dass der Netzstecker ordnungsgemäß in die Steckdose eingesteckt wird. Andernfalls kann dies zu Funkenschlag und/oder Stromschlägen führen.



Den Stecker abziehen

- Bei Wartung und Bewegung des Produkts Netzstecker von der Stromversorgung trennen. Es besteht Stromschlag-/Verletzungsgefahr.



Keine feuchten Hände

- Netzstecker niemals mit feuchten Händen berühren. Andernfalls besteht Stromschlag-, Verletzungs- und/oder Verbrennungsgefahr.



Verboten

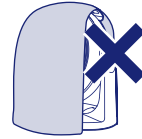
- Es darf ausschließlich eine 220-240V~ -Steckdose verwendet werden. Kann Funken oder Feuer verursachen.
- Netzkabel nicht verwenden, wenn dieses beschädigt oder die Wandsteckdose lose ist. Andernfalls kann dies zu Funkenschlag und/oder Stromschlägen führen.
- Netzkabel nicht beschädigen. Sicherstellen, dass das Netzkabel nicht geknickt, modifiziert, zerkratzt, verdreht oder beschwert wird. Andernfalls besteht Feuer-/Stromschlaggefahr.
- Zusammengebundene Netzkabel nicht an die Stromversorgung anschließen. Andernfalls besteht Feuergefahr.
- Wenn Produkt bewegt wird, nicht am Netzkabel ziehen. Andernfalls besteht Feuer-/Stromschlaggefahr.
- Gerät nicht durch Einstöpseln oder Ziehen des Netzsteckers starten oder stoppen. Zum Ein- und Ausschalten stets Ein-/Ausschalter am Hauptkorpus verwenden. Andernfalls besteht Feuer-/Stromschlaggefahr.

Sicherheitshinweise (fortsetzung)



Verboten

- Nicht im Freien verwenden.
- Luftzufuhr nicht unterbrechen.
- Produkt nicht abdecken.
- Nicht in staubigen Umgebungen verwenden.
Kann Funken oder Feuer verursachen.



Verboten

- Produkt nicht auf Kaminöfen oder andere Feuerstätten richten.
Andernfalls besteht Feuergefahr oder die Gefahr einer Kohlenmonoxidvergiftung.



Nicht zerlegen

- Nicht zerlegen, reparieren oder modifizieren.
Andernfalls besteht Feuer-, Stromschlag und/oder Verletzungsgefahr.
Reparaturen dürfen ausschließlich von qualifizierten Fachkräften vorgenommen werden.
Bringen Sie das Produkt bitte zu der Verkaufsfiliale zurück, bei der Sie es erworben haben.



Verboten

- Für das Produkt keine Aerosolsprays verwenden.
- Keine entflammaren Materialien in der Nähe des Produkts aufbewahren.
Kann Funken oder Feuer verursachen.



Vorsicht



Verboten

- Bei der Verwendung des Produkts auf Kinder achten.
- Nicht auf Produkt abstützen.
Andernfalls besteht Stromschlag-, Verletzungs- und/oder Verbrennungsgefahr.

Beim Bewegen des Produkts



Den Stecker abziehen

- Betrieb stoppen und Netzkabel von der Stromversorgung trennen.
Andernfalls kann dies zu Funkenschlag und/oder Stromschlägen führen.



Verboten

- Produkt nicht über den Boden schieben.
Der Boden kann dadurch zerkratzt werden.



Muss durchgeführt werden

- Stablen Untergrund verwenden.
Wenn das Produkt auf einem unebenen/instabilen Untergrund verwendet wird, kann es umkippen, sodass Verletzungsgefahr besteht.



Verboten

- Produkt nicht gegen sich selbst richten.
Dieses Produkt ist kein Lüfter, sondern ein Umwälzventilator, der starke Luftströme erzeugt. Wenn dieser direkt auf eine Person, insbesondere Kinder oder ältere Menschen gerichtet wird, kann dies zu Gesundheitsproblemen führen.
- Produkt nicht direkt auf Tiere oder Pflanzen richten.
Dies kann sich auf diese nachteilig auswirken.



Den Stecker abziehen

- Beim Ziehen des Netzsteckers immer am Stecker ziehen, keinesfalls am Kabel.
Andernfalls kann das Netzkabel beschädigt werden, sodass Feuer-/Stromschlaggefahr besteht.
- Wenn das Produkt über einen längeren Zeitraum nicht genutzt wird, muss es von der Stromversorgung getrennt werden.
Andernfalls kann dies zu einer Beeinträchtigung der Isolierung führen und es besteht, Feuer-/Stromschlaggefahr.

Sicherheitshinweise (fortsetzung)



Verboten

- Produkt nicht starken Stößen oder starkem Druck aussetzen. Andernfalls kann dies zu Fehlfunktionen führen und es besteht Feuer- oder Stromschlaggefahr.



- Ordnungsgemäße Entsorgung des Produkts
Diese Kennzeichnung zeigt an, dass dieses Produkt innerhalb der EU vom Hausmüll getrennt zu entsorgen ist. Um möglichen Gefahren für die Umwelt und die Gesundheit der Mitmenschen vorzubeugen sowie die Verschwendung von Ressourcen zu vermeiden, sollte das Gerät recycelt werden. In Bezug auf die Entsorgung des nicht mehr benötigten Geräts wenden Sie sich bitte an die entsprechenden Entsorgungsstellen oder an den Händler, bei dem Sie das Produkt erworben haben. Diese gewährleisten die umweltfreundliche Entsorgung und Wiederverwertung des Produkts.



Verboten

- Produkt nicht ohne Ventilatorflügel oder Abdeckung verwenden. Andernfalls besteht Feuer-, Stromschlag und/oder Verletzungsgefahr.

Vorsichtsmaßnahmen bei der bedienung

■ Vorsichtsmaßnahmen bei der Aufstellung

- An einem Ort aufstellen, der nicht mit direktem Sonnenlicht oder Heizungs-luft in Berührung kommt. Andernfalls kann dies dazu führen, dass sich das Produkt verformt, verfärbt oder nicht mehr einwandfrei funktioniert.
- Produkt nicht in unmittelbarer Nähe von Gardinen und Vorhängen positionieren.

- Nicht neben einem TV-Gerät oder Radio aufstellen. Andernfalls kann dadurch weißes Rauschen verursacht werden.

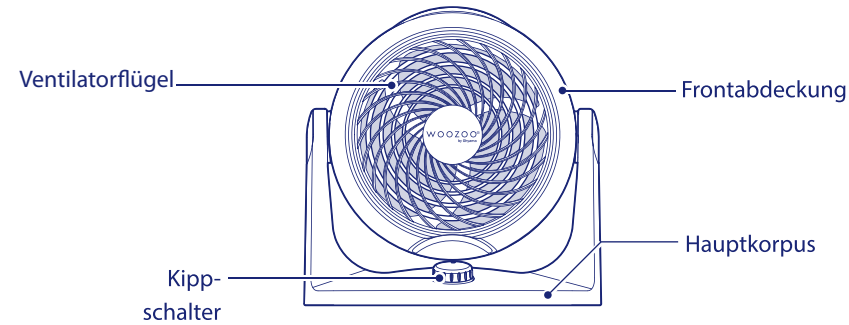
- Nicht mit Benzin oder Verdünnung reinigen. Andernfalls kann dies dazu führen, dass sich das Produkt verfärbt.

■ Entsorgung

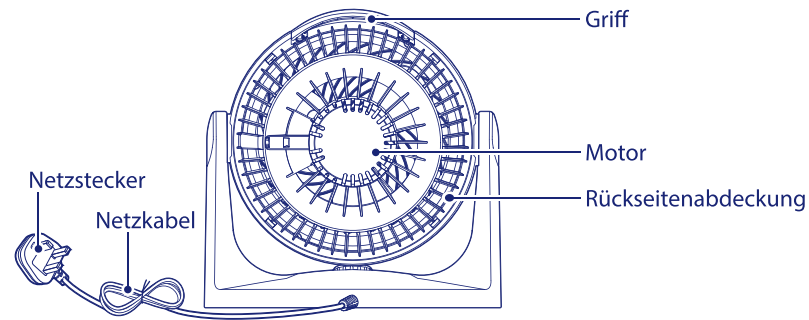
- Das Produkt oder dessen Verpackungsmaterial müssen nach den örtlichen behördlichen Vorschriften entsorgt werden.

Teileliste

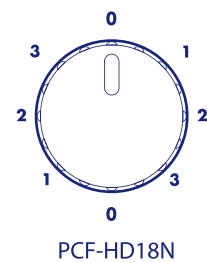
■ Frontseite



■ Rückseite

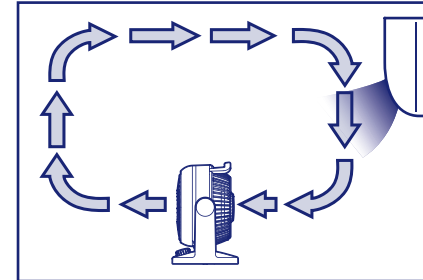


■ Kippschalter



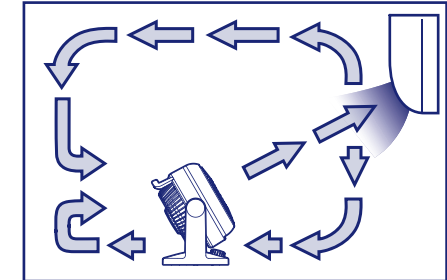
Aufstellung

Produkt auf einem ebenen, hindernisfreien Untergrund aufstellen.



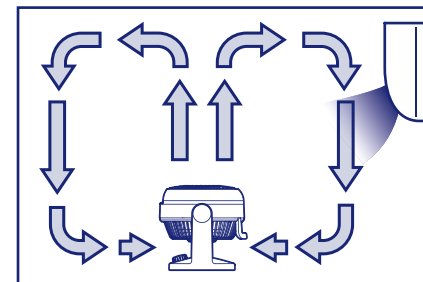
Verwendung mit Klimaanlage ①

Die sich am Boden ansammelnde Luft zirkuliert im Raum.



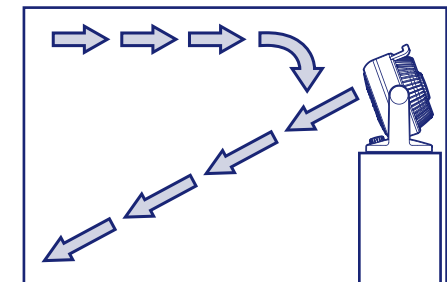
Verwendung mit Klimaanlage ②

Die direkt angeblasene Luft zirkuliert im Raum.



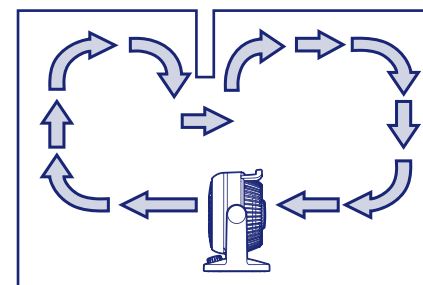
Verwendung mit Heizung ①

Der Luftstrom wird zur Decke gerichtet, damit warme Luft im Raum zirkulieren kann.



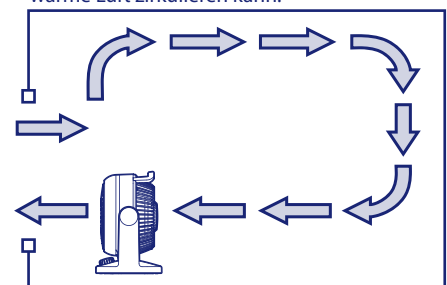
Verwendung mit Heizung ②

Der Luftstrom wird von einem Möbelstück aus nach unten gerichtet, wobei die Rückseite des Ventilators nach oben weist, damit oberhalb warme Luft zirkulieren kann.



Zirkulation in zwei Räumen

Das Produkt kann zwischen zwei Räumen Luft zirkulieren lassen.



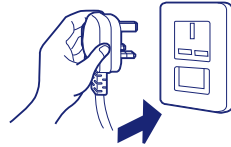
Lüften

Führt von außen frische Luft in den Raum und führt Luft aus dem Raum nach außen ab.

Bedienung

Stecker anschließen

Sicherstellen, dass der Netzstecker ordnungsgemäß in die Steckdose eingesteckt ist.



Start

Kippschalter drehen, um gewünschte Intensitätsstufe einzustellen.

Stopp

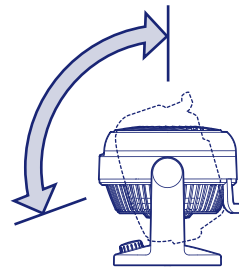
Um den Betrieb zu stoppen, bitte Kippschalter ausschalten.

Vorsicht

- Sie können den Ventilatorhals nicht manuell drehen. Stets Kippschalter verwenden, um ein-/auszuschalten.

Vertikale Bewegung (manuell)

Die Luftstromrichtung kann in vertikaler Richtung zwischen -20~90 Grad in 6 Stufen manuell eingestellt werden.



Wartung



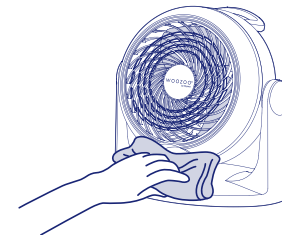
Warnung

- Wenn das Produkt nicht genutzt wird, muss es ausgeschaltet und von der Stromversorgung getrennt werden.
- Der Motor ist nach dem Betrieb sehr heiß. Vor der Wartung sicherstellen, dass dieser abkühlen kann.

- Keine Verdünnungen, keinen Alkohol, kein Benzin, keine basischen Lösungen oder Bleichmittel verwenden. Andernfalls kann sich Produkt verfärben, verformen oder es kann beschädigt werden.

Hauptkorpus

Produkt mit einem weichen trockenen Tuch abwischen. Falls noch Rückstände vorhanden sein sollten, wässrige Lösung verwenden und anschließend abwischen.



Lagerung

Wenn das Produkt längere Zeit nicht genutzt wird, sollte es mit einer Plastiktüte abgedeckt und an einem Ort mit wenig Sonnenlicht und geringer Luftfeuchtigkeit gelagert werden.

Bei Verdacht auf Defekte

Bei Auffälligkeiten während des Betriebs überprüfen Sie bitte erst folgende Punkte, bevor Sie das Produkt zur Reparatur einreichen.

Problem	Mögliche Ursachen	Maßnahmen
Produkt bewegt sich nicht	• Der Netzstecker ist nicht ordnungsgemäß an die Steckdose angeschlossen.	• Stecker ordnungsgemäß anschließen.
Laute Betriebsgeräusche	• Nicht ordnungsgemäß aufgestellt	• Auf einem stabilen und ebenen Untergrund aufstellen.
Beim der Oszillation treten Geräusch auf. (nur CFA-187)	• Bei dem im Oszillationsbetrieb manchmal zeitweise auftretenden laueren Geräusch handelt es sich um das dem Oszillationsmotor eigene Geräusch, das nicht auf eine Störung zurückzuführen ist.	
Schwacher Luftstrom	• Es hat sich Staub angesammelt.	• Staub entfernen.
Der Netzstecker und die Steckdose sind unnormal heiß.	• Nehmen Sie das Produkt sofort außer Betrieb, trennen Sie den Netzstecker von der Stromversorgung und wenden Sie sich an die Verkaufsfiliale, bei der Sie das Produkt gekauft haben.	



Warnung

- Versuchen Sie unter keinen Umständen dieses Produkt zu modifizieren, zu reparieren oder zu zerlegen.

Langfristig verwendetes Produkt

Wenn bei der langfristigen Verwendung des Produkts folgende Anzeichen auftreten sollten, dann schalten Sie bitte das Gerät aus, trennen Sie den Netzstecker von der Stromversorgung und wenden Sie sich an die Verkaufsfiliale, bei der Sie das Produkt gekauft haben.

- Das Produkt reagiert nicht, auch nicht nach Drehen des Kippschalters.
- Ventilatorflügel erzeugen unnormales Geräusch.
- Geschwindigkeit variiert, wenn die Ventilatorflügel rotieren.
- Das Netzkabel ist geknickt oder beschädigt.
- Bei Berührung des Netzkabels wird die Stromversorgung ein-/ausgeschaltet.
- Verbrannter Geruch

Standardmäßige Lebensdauer

Der standardmäßige Zeitraum, in dem das Produkt ohne Sicherheitseinbußen verwendet werden kann, wenn dieses unter den standardmäßigen Anwendungsbedingungen nach JIS verwendet wird, ist am Hauptkorpus des Produkts angegeben.

Umgebungsbedingungen	Spannung	AC230V
	Frequenz	50 Hz
	Temperatur	30°
	Luftfeuchtigkeit	65%
	Aufstellung	Einstellung gemäß Bedienungsanleitung
Belastungszustand		Betrieb bei maximaler Leistung des Produkts
Vermeintliche Dauer	Betriebsdauer	8h/Tag
	Betriebszeiten	5 x/Tag
	Betriebstage	110 Tage/Jahr
	Schaltzyklen	550 x/Jahr



Vorsicht

Beeinträchtigungen und Fehler können auf unterschiedliche Faktoren zurückzuführen sein. Selbst wenn die oben genannte standardmäßige Lebensdauer nicht überschritten ist, muss das Produkt bei Auffälligkeiten sofort außer Betrieb genommen werden. Wenden Sie sich in diesem Fall an die Verkaufsfiliale, bei der Sie das Produkt erworben haben.

Technische Daten

Produktnummer	PCF-HD18N
Antriebsspannung	220-240V~
Antriebsfrequenz	50 Hz
Energieverbrauch	34W
Raumbedarf	ca. 249 sq ft
Kabellänge	ca. 1,8 m
Produktabmessungen	B290 x T190 x H290mm
Produktgewicht	ca. 1,7kg

- * Die technischen Daten des Produkts können sich ändern.
- * Die verwendbare Bodenfläche dient als Referenz. Diese Angabe stellt nur einen Annäherungswert dar,

Garantie und Kundendienst

Lesen Sie sich den Inhalt sorgfältig durch.

■ Garantiekarte

Verlangen Sie bei Ihrer Verkaufsfiliale eine Garantiekarte.

Wenn Sie innerhalb der Garantiezeit keine Garantiekarte vorlegen können, ist die Reparatur kostenpflichtig. Bewahren Sie die Garantiekarte deshalb gut auf.

■ Innerhalb der Garantiezeit

Garantiezeit 1 Jahr nach Kauf des Produkts.

Sollten innerhalb der Garantiezeit Mängel auftreten, dann bringen Sie das Produkt bitte zu der Verkaufsfiliale zurück, bei der Sie es erworben haben, und legen Sie Ihre Garantiekarte vor. Unser Unternehmen wird das Produkt dann kostenlos reparieren.

■ Außerhalb der Garantiezeit

Wenden Sie sich bitte an die Verkaufsfiliale, bei der Sie das Produkt gekauft haben. Wenn die Produktfunktion repariert werden kann, übernehmen wir die kostenpflichtige Reparatur.

■ Ersatzteilverhaltung

Unser Unternehmen hält wichtige Ersatzteile 5 Jahre nach Auslaufen der Produktion vorrätig.

Ersatzteile sind Teile, die zur Wartung der Produktfunktion benötigt werden.

■ Kundendienst

Für Kundendienstleistungen, die hier nicht aufgeführt sind, wenden Sie sich bitte an die Verkaufsfiliale.

Garantiebestimmungen

1. Sollten bei dem Produkt bei normaler Verwendung gemäß Bedienungsanleitung und Typenschild Schäden oder Defekte auftreten, dann bietet unser Unternehmen einen kostenlosen Ersatz- oder Reparaturservice.
2. Sollte das Produkt innerhalb der Garantiezeit aufgrund eines mangels kostenlos repariert werden müssen, dann bringen Sie das Produkt bitte zu der Verkaufsfiliale zurück und legen Sie Ihre Garantiekarte vor.
3. Die Garantie beschränkt sich auf die kostenlose Reparatur des Produkts selbst. Darüber hinaus reichende Garantieleistungen werden, auch innerhalb der Garantiezeit, nicht übernommen.
4. In folgenden Fällen ist eine Reparatur innerhalb der Garantiezeit kostenpflichtig:
 - (1) Bei Schäden oder Defekten aufgrund unsachgemäßer Verwendung oder eigenmächtiger Reparatur
 - (2) Bei Schäden oder Defekten, die nach dem Kauf des Produkts auf ein unachtsames Herabfallenlassen zurückzuführen sind
 - (3) Bei Schäden oder Defekten, die auf Feuer, Erdbeben oder andere Naturkatastrophen zurückzuführen sind
 - (4) Bei Schäden oder Defekten, die auf einen anderen Zweck als den Hausgebrauch (z. B. Verwendung in der Industrie über einen langen Zeitraum oder Montage an einem Fahrzeug oder Schiff) zurückzuführen sind
 - (5) Bei Schäden oder Defekten, die nach dem Kauf während des Transports entstanden sind
 - (6) Wenn keine Garantiekarte vorgelegt werden kann
 - (7) Das Kaufdatum oder der Name der Verkaufsfiliale sind auf der Garantiekarte nicht eingetragen oder unlesbar
5. Die Garantiekarte kann nicht erneut ausgestellt werden. Deshalb sollten Sie diese gut aufbewahren.

Garantieerklärung

- * Die Garantiekarte dient als Nachweis für den Anspruch auf einen kostenlosen Reparaturservice gemäß der auf der Garantiekarte angegebenen Garantiezeit und den angegebenen Garantiebedingungen. Dennoch schränkt die Garantiekarte den gesetzlichen Anspruch des Kunden gegenüber dem die Garantiekarte ausstellenden (mit der Reparatur beauftragten) Unternehmen und anderen Unternehmen nicht ein. Sollten Sie außerhalb der Garantiezeit Fragen zur Wartung und Instandhaltung haben, dann wenden Sie sich bitte an die Verkaufsfiliale von Iris.
- * Für nähere Informationen zu Reparaturangelegenheiten außerhalb der Garantiezeit und Lieferbarkeit von Ersatzteilen wenden Sie sich bitte an den Garantie- und Kundendienst.

WOOZOO®
by Ohyama

Ventilateur brasseur d'air PCF-HD18N

Carte de garantie

Si une panne survient durant la période suivante, à compter de la date d'achat de l'appareil, la carte de garantie figurant au dos servira de preuve pour bénéficier d'une réparation gratuite.

Date d'achat *	Pendant la période de garantie	
JJ/MM/AAAA	1 an à compter de la date d'achat hors consommables	
Client	Nom	
	Adresse, Code postal	
	Téléphone () -	
Magasin *	Adresse, Nom du magasin	
	Téléphone () -	

Instructions pour le magasin : Veuillez compléter la case * avant de remettre la carte au client.

Ventilateur brasseur d'air

PCF-HD18N

Manuel d'utilisation

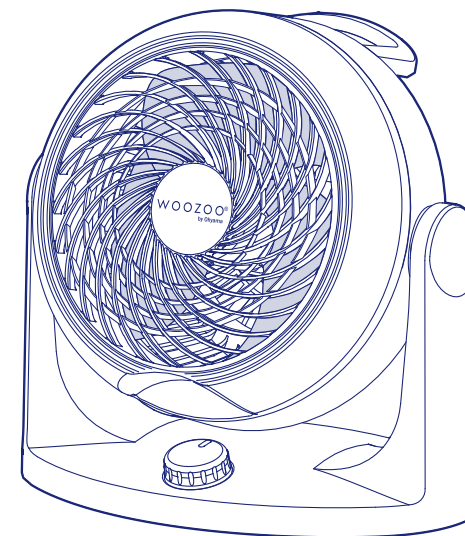


Table des matières

Avant l'utilisation

Consignes de sécurité.....	2
Précautions d'utilisation	7
Liste des pièces	8
Positionnement.....	9

Utilisation et entretien

Utilisation	10
Entretien	11

Dépannage

Vérifications avant de faire réparer l'appareil	12
Utilisation de l'appareil à long terme..	13
Caractéristiques techniques.....	14
Garantie et service après-vente	14
Conditions de la garantie	15
Garantie	couverture arrière

Client : IRIS Ohyama Inc.,
 Adresse : 2-12-1, Gokyo, Aoba-ku, Sendai-shi, Miyagi-ken, Japon
 Fabricant : IRIS HOME PRODUCTS (SUZHOU)CO.,LTD
 Adresse : NO.139 QINGHUA ROAD XUSHUGUAN TOWN,
 SUZHOU NEW DISTRICT, JIANGSU P.R.CHINA

Distributeur exclusif:

Iris Ohyama Europe B.V.

Adresse: Gesworenhoekeweg 1, 5047 TM Tilburg – Pays-Bas
 Website: www.irisohyama.co.jp (Japanese)

www.iriseurope.com

TEL:+31-(0)13-5780022
 FAX:+31-(0)13-5780023



Consignes de sécurité

Veillez lire attentivement les « Consignes de sécurité » avant d'utiliser le produit. Pour prévenir toute utilisation inappropriée, ces consignes sont signalées par les mentions « Avertissement » et « Attention ».

Ces deux catégories de mises en garde sont importantes et doivent toutes deux être observées.

Avertissement

Toute utilisation inappropriée peut provoquer des blessures graves ou entraîner la mort.

Attention

Toute utilisation inappropriée peut entraîner des blessures ou des dégâts matériels.

Signification des pictogrammes



Attention



Interdiction



Consigne à suivre

Avertissement



Pas de mains mouillées

- Ne pas utiliser dans un endroit très humide.
- Ne pas mouiller le produit.

Risque de court-circuit et/ou d'électrocution.



Doit être effectué

- En cas de fonctionnement anormal, arrêter d'utiliser l'appareil, le placer en position d'arrêt et le débrancher. Risque de dégagement de fumée, d'inflammation et/ou d'électrocution. (Exemples de fonctionnement anormal)
 - Odeur de brûlé ou fonctionnement bruyant.
 - fiche ou câble anormalement chaud
 - cesse de fonctionner lorsque le câble est déplacé
 - cesse régulièrement de fonctionner
 - choc électrique au contact de l'appareil
- ➡ Veillez retourner le produit au magasin où vous l'avez acheté.

Utiliser la fiche et le câble correctement.



Doit être effectué

- Enlever la poussière de la fiche. La poussière présente sur la fiche peut s'enflammer et provoquer un incendie ou une électrocution.
- Vérifier que la fiche est complètement enfoncée dans la prise. Risque d'inflammation et/ou d'électrocution.



Débrancher

- Débrancher en cas de maintenance ou de déplacement. Risque d'électrocution et/ou de blessure.



Pas de mains mouillées

- Ne pas toucher la fiche avec les mains mouillées. Risque d'électrocution, de blessure et/ou de brûlure.



Interdit

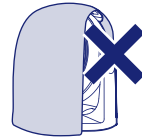
- Utiliser uniquement une prise 220-240V~ comme source d'alimentation. Risque d'inflammation ou d'incendie.
- Ne pas utiliser si le câble est endommagé ou si la prise murale est mal fixée. Risque d'inflammation et/ou d'électrocution.
- Ne pas endommager le câble. Veiller à ne pas plier, modifier, érafler, tirer, tordre ou placer du poids sur le câble. Risque d'incendie et/ou d'électrocution.
- Ne pas mettre un câble enroulé sous tension. Risque d'incendie.
- Ne pas tirer sur le câble au moment de déplacer l'appareil. Risque d'incendie et/ou d'électrocution.
- Ne pas démarrer ou arrêter l'appareil en introduisant ou en tirant la fiche. Utiliser le bouton situé sur le corps principal de l'appareil. Risque d'incendie et/ou d'électrocution.

Consignes de sécurité (suite)



Interdit

- Ne pas utiliser en extérieur.
- Ne pas couper le débit d'air.
- Ne pas recouvrir l'appareil.
- Ne pas utiliser dans un endroit poussiéreux. Risque d'inflammation ou d'incendie.



Interdit

- Ne pas orienter l'appareil vers une cuisinière ou tout autre équipement à brûleur. Il risquerait d'en perturber le fonctionnement, ce qui pourrait entraîner un incendie ou une intoxication au CO.



Ne pas démonter

- Ne pas démonter, réparer ou modifier. Risque d'incendie, d'électrocution et/ou de blessure. Il est dangereux d'essayer de réparer l'appareil. Toute réparation doit être confiée à un spécialiste. Veuillez retourner le produit au magasin où vous l'avez acheté.



Interdit

- Ne pas utiliser d'aérosol sur l'appareil.
- Ne pas laisser de matières inflammables à proximité de l'appareil. Risque d'inflammation ou d'incendie.



Attention



Interdit

- Surveiller les enfants lorsqu'ils utilisent l'appareil.
- Ne pas monter ou s'appuyer sur l'appareil. Risque d'électrocution, de blessure et/ou de brûlure.

4

Pour déplacer l'appareil



Débrancher

- Arrêter l'appareil et débrancher le câble d'alimentation. Risque d'électrocution et/ou d'inflammation.



Interdit

- Ne pas traîner l'appareil sur le sol. Risque de dégâts au revêtement du sol.



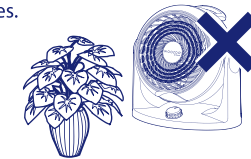
Doit être effectué

- Utiliser sur une surface solide. Si l'appareil est utilisé sur un sol inégal ou instable, il risque de basculer et de provoquer des blessures.



Interdit

- Ne pas orienter l'appareil vers des personnes. Ce produit n'est pas un ventilateur traditionnel ; il s'agit d'un brasseur d'air, qui génère des courants d'air très puissants. Par conséquent, le fait d'orienter cet appareil directement vers des personnes peut entraîner des problèmes de santé, en particulier s'il s'agit d'enfants ou de personnes âgées.
- Ne pas orienter directement vers des animaux ou des plantes. Cela pourrait leur nuire.



Débrancher

- Débrancher l'appareil en tirant sur la fiche et non sur le câble. Risque de défaillance du câble, d'incendie et/ou d'électrocution.
- Débrancher l'appareil s'il ne sera pas utilisé pendant une longue période. Risque de dégradation de l'isolation, d'incendie et/ou d'électrocution.

5

Consignes de sécurité (suite)



Interdit

- Ne pas soumettre l'appareil à des chocs violents.
Risque de défaillance, d'incendie ou d'électrocution.



Interdit

- Mise au rebut correcte de ce produit.
Ce symbole indique que le produit ne doit pas être éliminé avec les autres déchets ménagers au sein de l'UE. L'élimination non contrôlée des déchets pouvant porter préjudice à l'environnement et la santé publique, veuillez le recycler de façon responsable, ce qui contribuera à la réutilisation durable des ressources. Pour mettre au rebut votre appareil usagé, utilisez les systèmes de retour et de collecte ou contactez le magasin où vous avez acheté le produit. Ceux-ci peuvent procéder au recyclage du produit dans le respect de l'environnement.



Interdit

- Ne pas faire fonctionner sans les pales ou la protection.
Risque de blessure, d'électrocution et/ou d'incendie.

Précautions d'utilisation

■ Mises en garde concernant le positionnement

- Placer à un endroit qui n'est pas exposé à la lumière directe du soleil ou à l'air soufflé par l'appareil de chauffage.
Risque de déformation, de décoloration ou de mauvais fonctionnement.

■ Mise au rebut

- Le produit et son matériel d'emballage doivent être éliminés dans le respect des réglementations locales en vigueur.

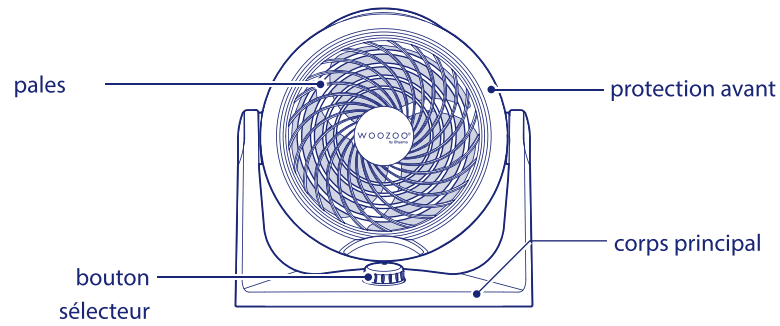
- Placer l'appareil à un endroit où il ne risque pas d'aspirer des rideaux ou des cordons.

- Ne pas placer près d'une télévision ou d'une radio.
Risque de bruit blanc.

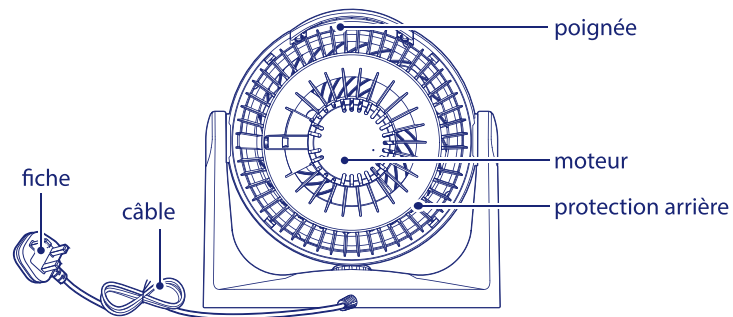
- Ne pas essuyer avec de la benzine ou du diluant.
Risque de déformation ou de décoloration.

Liste des pièces

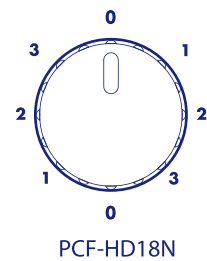
■ Avant



■ Arrière

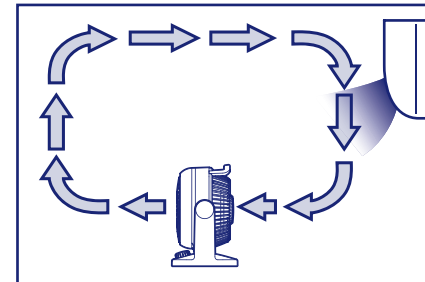


■ bouton sélecteur



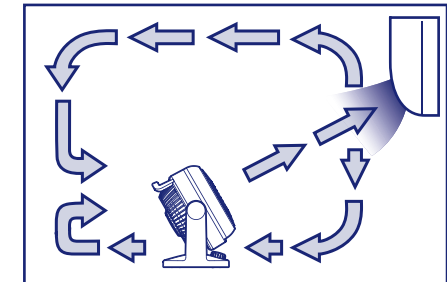
Positionnement

Placer sur une surface plane sans obstacles.



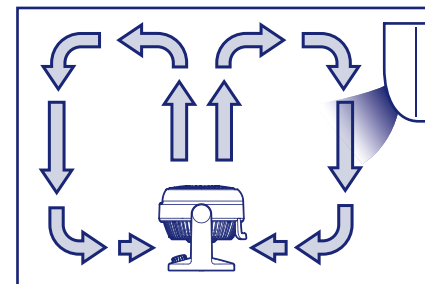
Utilisation avec un climatiseur ①

L'air froid qui s'amasse au sol est brassé à travers la pièce.



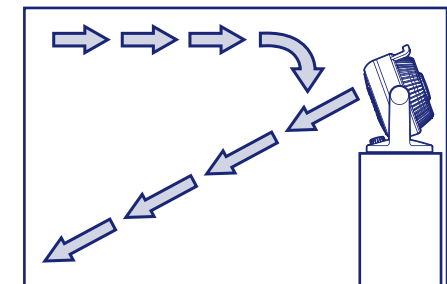
Utilisation avec un climatiseur ②

L'air froid qui souffle directement sur l'appareil est brassé à travers la pièce.



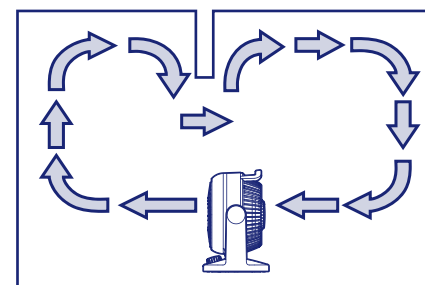
Utilisation avec un appareil de chauffage ①

L'air est soufflé vers le plafond pour faire circuler l'air chaud qui se trouve en haut de la pièce.



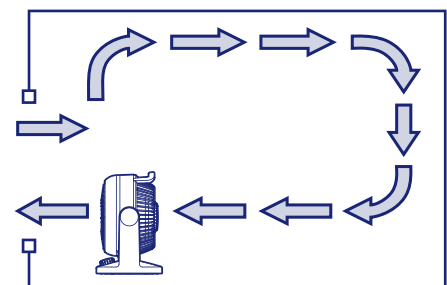
Utilisation avec un appareil de chauffage ②

L'air est soufflé depuis le dessus d'un meuble haut pour faire circuler l'air chaud qui se trouve en haut.



Brassage dans 2 pièces

Cet appareil peut brasser l'air entre deux pièces.



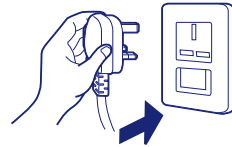
Ventilation

Apport d'air depuis l'extérieur et soufflage de l'air hors de la pièce.

Utilisation

■ Branchement de la fiche

Veiller à enfoncer complètement la fiche dans la prise.



■ Mise en marche

Tourner le bouton sélecteur pour choisir le niveau de puissance.

■ Arrêt

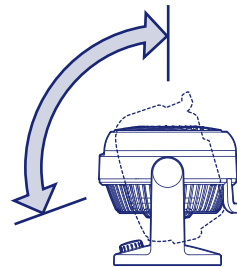
Pour arrêter l'appareil, mettre le bouton sélecteur en position d'arrêt.

Attention

- Il n'est pas possible de faire tourner manuellement le brasseur d'air dans l'axe horizontal. Il faut toujours utiliser le bouton sélecteur pour la mise en marche/l'arrêt.

Mouvement vertical (manuel)

Il est possible d'ajuster manuellement l'orientation verticale de l'air soufflé, de -20 à 90 degrés avec 6 niveaux de réglage.



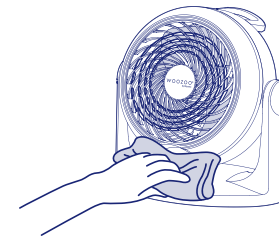
Entretien



- Lorsque l'appareil n'est pas utilisé, placez-le en position d'arrêt et débranchez-le.
 - Après l'utilisation, le moteur est chaud. Veillez à le laisser refroidir avant de commencer l'entretien.
- Ne pas utiliser de diluants, alcool, benzine, solutions basiques ou agents blanchissants. Ces produits risquent de décolorer, de déformer ou d'endommager l'appareil.

■ corps principal

Essuyer l'appareil avec un chiffon doux et sec. Si l'appareil présente encore des taches, frotter avec une solution diluée, puis essuyer.



■ Entreposage

S'il ne sera pas utilisé pendant une longue période, couvrir l'appareil avec un sac en plastique et le ranger à l'abri de la lumière du soleil et de l'humidité.

Vérifications avant de faire réparer l'appareil

En cas de fonctionnement anormal, veuillez procéder aux vérifications suivantes avant de retourner l'appareil pour le faire réparer.

Problème	Causes Possibles	Solutions
Aucun mouvement	<ul style="list-style-type: none"> ● La fiche n'est pas branchée correctement dans la prise. 	<ul style="list-style-type: none"> ● Essayez de brancher la fiche correctement.
Fonctionnement bruyant	<ul style="list-style-type: none"> ● Mauvais positionnement 	<ul style="list-style-type: none"> ● Placez l'appareil sur une surface stable et plane.
L'oscillation fait du bruit. (CFA-187 uniquement)	<ul style="list-style-type: none"> ● Parfois, pendant l'oscillation, le bruit peut temporairement devenir plus fort. Ce bruit provient du moteur d'oscillation et n'est pas anormal. 	
Faible débit d'air	<ul style="list-style-type: none"> ● Accumulation de poussière 	<ul style="list-style-type: none"> ● Enlevez la poussière.
La fiche et la prise sont anormalement chauds.	<ul style="list-style-type: none"> ● Arrêtez immédiatement d'utiliser l'appareil, débranchez-le et contactez le magasin où vous avez acheté le produit. 	



Avertissement

- N'essayez pas de modifier, réparer ou démonter ce produit.

Utilisation de l'appareil à long terme

Si vous observez les problèmes suivants liés à une utilisation à long terme, placez l'appareil en position d'arrêt, débranchez-le de la prise et adressez-vous au magasin où vous avez acheté le produit.

- L'appareil ne répond pas, même après avoir tourné le bouton sélecteur.
- Les pales font un bruit anormal.
- Variation irrégulière de la vitesse pendant la rotation des pales.
- Câble d'alimentation plié ou endommagé.
- Mise en marche/arrêt lorsque le câble d'alimentation est touché.
- Odeur de brûlé

■ Durée de vie théorique standard

La durée de vie standard pendant laquelle l'appareil peut être utilisé sans problème de sécurité, à condition d'être employé dans des conditions d'utilisation standards sur la base des normes JIS, est indiquée sur le corps principal du produit.

Conditions ambiantes	Tension	230 VCA
	Fréquence	50 Hz
	Température	30°
	Humidité	65 %
	Positionnement	Conformément au manuel d'utilisation
Conditions de charge		Fonctionnement à la puissance maximale de l'appareil
Temps d'utilisation supposé	Durée de fonction	8 h/jour
	Fréquence d'utilisation	5 fois/jour
	Jours d'utilisation	110 jours/an
	Fréquence de commutation	550 fois/an



Attention

La détérioration des produits et les pannes dépendent de nombreux facteurs. En cas de fonctionnement anormal comme décrit ci-dessus, même avant la fin de la durée de vie standard indiquée, arrêtez immédiatement d'utiliser l'appareil et adressez-vous au magasin où vous l'avez acheté.

Caractéristiques techniques

Référence du produit	PCF-HD18N
Tension de commande	220-240 V~
Fréquence de commande	50 Hz
Consommation énergétique	34 W
Espace nécessaire	environ 23 m ²
Longueur de câble	environ 1,8 m
Dimensions du produit	290 x 190 x 290 mm (LxPxH)
Poids du produit	environ 1,7 kg

- * Les caractéristiques techniques du produit sont sujettes à modification.
- * La superficie est indiquée à titre de référence. Il s'agit seulement d'une approximation qui peut varier selon les conditions environnementales.

Garantie et service après-vente

Veillez lire attentivement ce qui suit.

■ Carte de garantie

Veillez à demander la carte de garantie au magasin.

Si vous ne pouvez pas présenter cette carte, vous devrez payer les coûts de réparation, même pendant la période de garantie. Par conséquent, veillez à la garder en lieu sûr.

■ Pendant la période de garantie

Période de garantie : 1 an à compter de la date d'achat.

Si une panne survient pendant la période de garantie, présentez votre carte de garantie et retournez le produit au magasin où vous l'avez acheté. Notre entreprise se chargera gratuitement de la réparation.

■ Après la période de garantie

Adressez-vous au magasin où vous avez acheté le produit. S'il est possible de le remettre en état de fonctionnement, l'appareil pourra être réparé moyennant des frais de réparation.

■ Délai de conservation des pièces de rechange

Notre entreprise conservera les pièces de rechange importantes d'un produit pendant 5 ans après l'arrêt de sa production. Les pièces de rendement sont les pièces nécessaires au maintien du produit en état de fonctionnement.

■ Service après-vente

Pour tout service après-vente non mentionné dans ce document, veuillez vous adresser au magasin.

14

Conditions de la garantie

1. Si une panne ou des dégâts surviennent pendant l'utilisation normale de l'appareil en conformité avec le manuel d'utilisation et l'étiquette du produit, notre entreprise se chargera gratuitement de la réparation ou du remplacement de l'appareil.
2. Pour bénéficier d'une réparation gratuite pendant la période de garantie, veuillez présenter votre carte de garantie et retourner l'appareil au magasin pour le faire réparer.
3. La couverture de la garantie se limite à la réparation gratuite du produit même. Aucun autre service de garantie n'est offert, même pendant la période de garantie.
4. Pendant la période de garantie, les coûts de réparation seront à votre charge dans les cas suivants.
 - (1) Panne ou dégâts provoqués par une utilisation incorrecte ou une réparation non qualifiée
 - (2) Panne ou dégâts provoqués par une chute de l'appareil par négligence après son achat
 - (3) Panne ou dégâts provoqués par un incendie, un tremblement de terre ou toute autre catastrophe naturelle
 - (4) Panne ou dégâts provoqués par une utilisation non résidentielle (par exemple, un usage industriel de longue durée ou un montage sur un véhicule ou un bateau)
 - (5) Panne ou dégâts provoqués pendant le transport après l'achat
 - (6) Aucune carte de garantie n'est présentée
 - (7) La date d'achat ou le nom du magasin ne sont pas inscrits sur la carte de garantie ou ont été rendus illisibles
5. Aucune nouvelle carte de garantie ne sera délivrée. Par conséquent, veillez à la garder en lieu sûr.

Remarques concernant la garantie

- * La carte de garantie sert de preuve pour bénéficier d'une réparation gratuite, pendant la période et conformément aux conditions spécifiées sur la carte de garantie. Néanmoins, la carte de garantie ne limite aucunement les droits d'un client envers l'entreprise qui délivre la carte de garantie (responsable de la réparation) ou envers toute autre entreprise. Pour toute question concernant la maintenance des produits en dehors de la période de garantie, veuillez contacter et consulter le magasin d'Iris.
- * Pour plus d'informations sur la réparation des produits en dehors de la période de garantie ou le délai de conservation des pièces de rechange, référez-vous à la section Garantie et service après-vente.

15